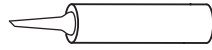


SUGGESTED TOOLS AND MATERIALS



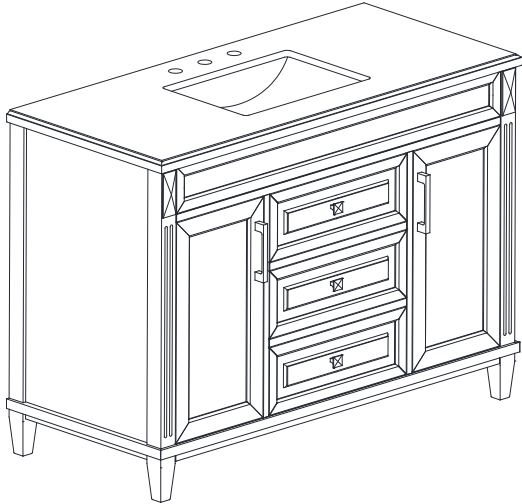
Sealant



Tape Measure

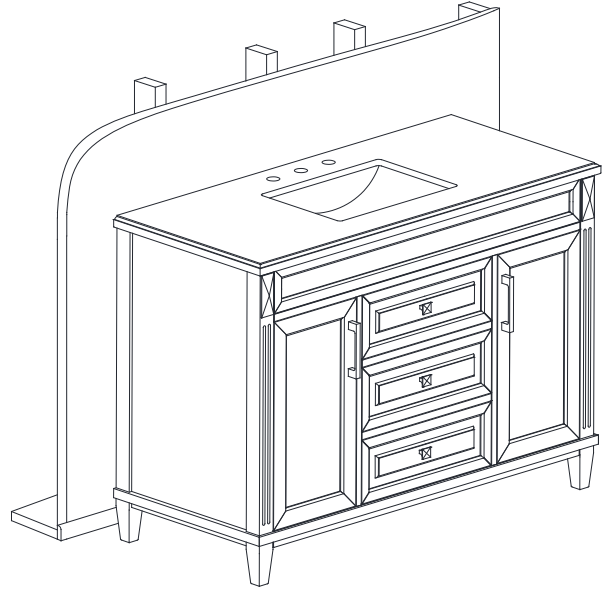
INSTALLATION INSTRUCTIONS

1



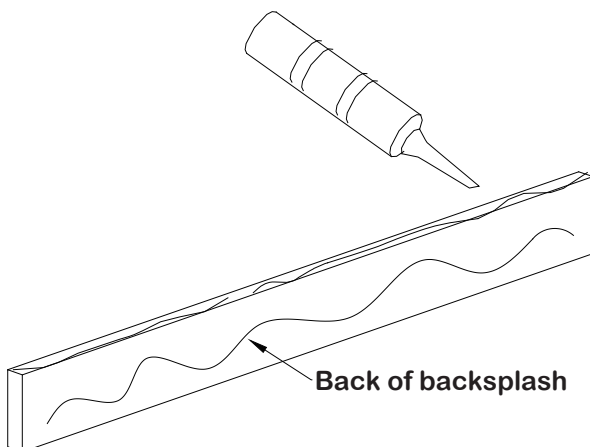
Remove vanity from box and examine for any defects or damage.

2



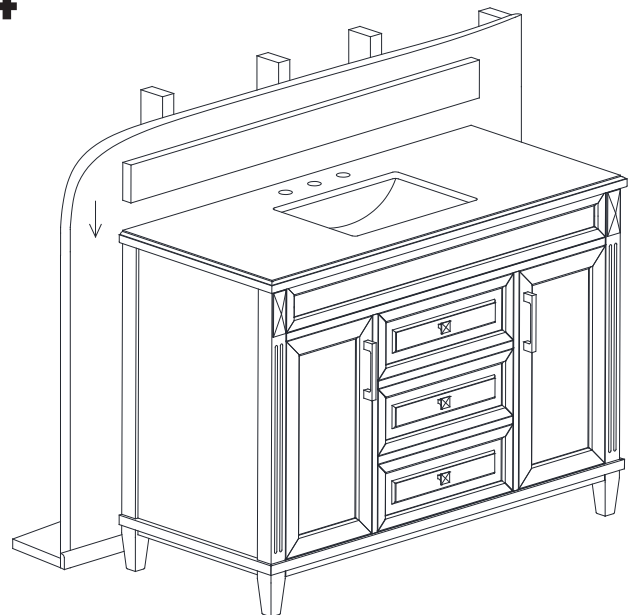
Place vanity against wall, making sure vanity top is flush against the wall. Apply bead of quality sealant evenly along the top of the vanity.

3



Apply a few thin beads of sealant (not included) to unpolished back and bottom edge of backsplash. Make sure all surfaces are dry.

4



Set unpolished bottom edge of backsplash with sealant bead on vanity top and press gently against wall and down on vanity top. Coloque el borde inferior sin pulir del protector contra



ONE-YEAR LIMITED WARRANTY

WHAT IS COVERED

Studio Design products are manufactured with superior quality standards and workmanship and are backed by our one-year limited warranty. Studio Design products are warranted to the original consumer purchaser to be free of defects in materials or workmanship. We will replace **FREE OF CHARGE** any product or parts that proves defective. Please call 1-866-522-5578 to report your damages / defects, a customer care representative will assist you with any replacement parts, or direct you to any Floor Décor retail stores for a full replacement. Proof of purchase (original sales receipt) from the original consumer purchaser must be made available for all Studio Design warranty claims.

WHAT IS NOT COVERED

This warranty excludes incidental/inconsequential damages and failures due to misuse, abuse or normal wear and tear. This warranty excludes all industrial, commercial & business usage. Some states and provinces do not allow the exclusion or limitation of incidental or consequential damages, so the above limitations may not apply to you.

NOTE

STONE CHARACTERISTICS: Natural stone exhibits color variations. It is possible that new and/ or replacement pieces may not match existing pieces. Natural variations in color, grain, and veining are not considered defective and are excluded from the warranty. Avanity applies a light sealer to our stone tops but this does not guarantee impermeability. Avanity recommends the consumer clean all spills immediately.

FINISH AND WOOD CHARACTERISTICS: Sustained exposure to light causes changes to the color of natural wood and finishes. For this reason replacement pieces and parts may not have the exact color of existing pieces and are not considered defective. Exposure to extreme changes in temperature and/or humidity can cause wood to warp and is not covered by the warranty. Small imperfections such as shallow surface splits and pockets are naturally occurring and not considered defective.

All warranty claims must include photographic evidence and a detailed description of the claim.

CARE AND CLEANING

- Dust frequently with a clean, soft and dry cloth.
- Wipe away any water or liquid spills on the vanity combo immediately with a clean soft and dry cloth.
- Clean the vanity top only with non-abrasive cleaners or mild detergents – do not use powder cleansers. For extremely stubborn stains, use a small amount of acetone on a cloth and gently rub out the stain.