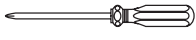


SUGGESTED TOOLS AND MATERIALS



Screwdriver



Level



Drill



Tape Measure



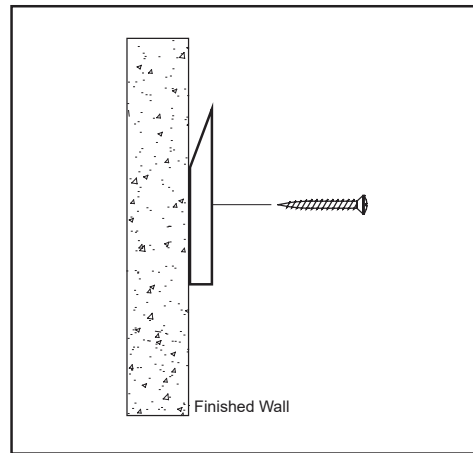
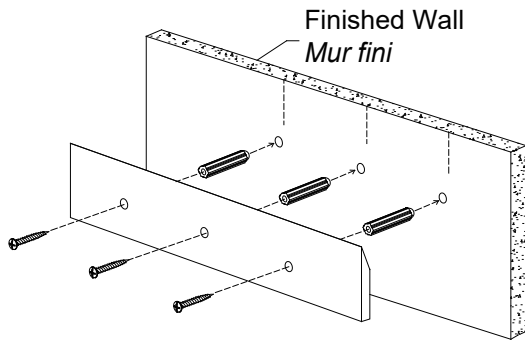
Safety Glasses

PARTS INCLUDED



INSTALLATION INSTRUCTIONS

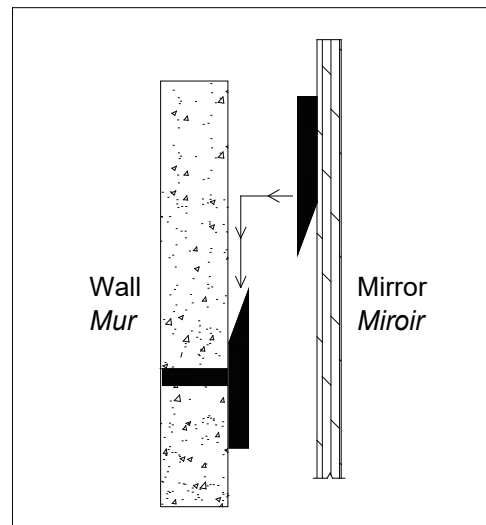
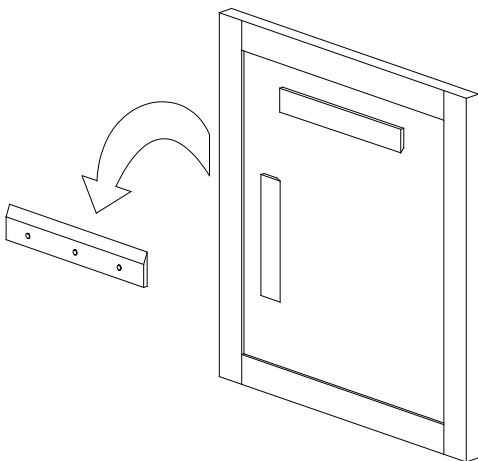
1



Remove wood cleat and screws from package.

Secure the wood cleat on the finished wall with screws. Make sure to hit wall studs or use provided wall anchors.

2



Hang mirror on the secured wood cleat.