

Calder Single Handle Lavatory Faucet



Features

- Fits 1 or 3 hole sinks
- Push pop-up drain assembly
- Ceramic disc cartridge
- Metal lever handle
- 1.2 gpm (4.5 L/min) max

ITEM#	MODEL#	Finish
100965664	QFS6A0216CP	Chrome Finish

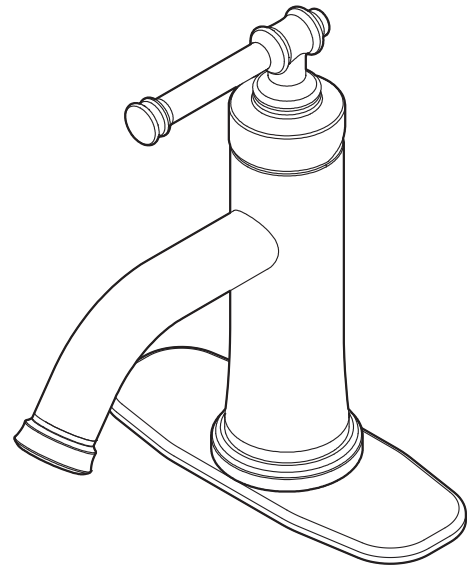
Approvals

NSF/ANSI CAN 372
NSF/ANSI CAN 81.0.1



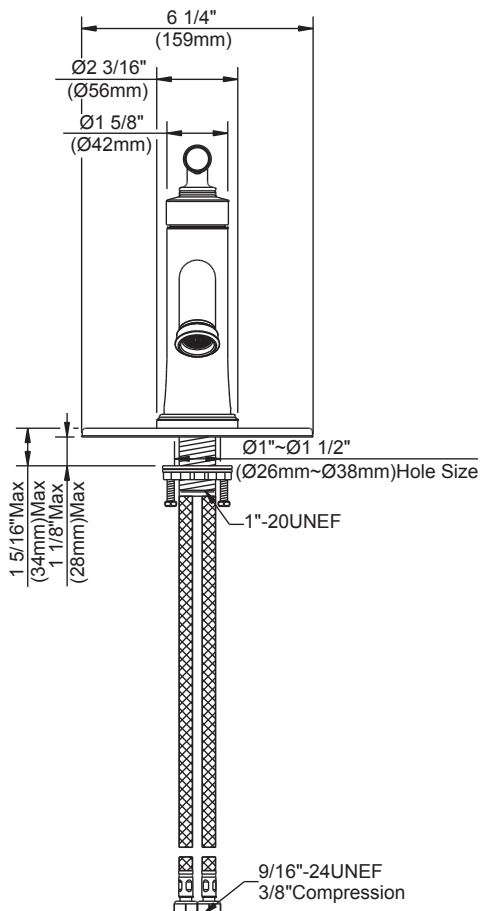
Warranty

Limited Lifetime Warranty

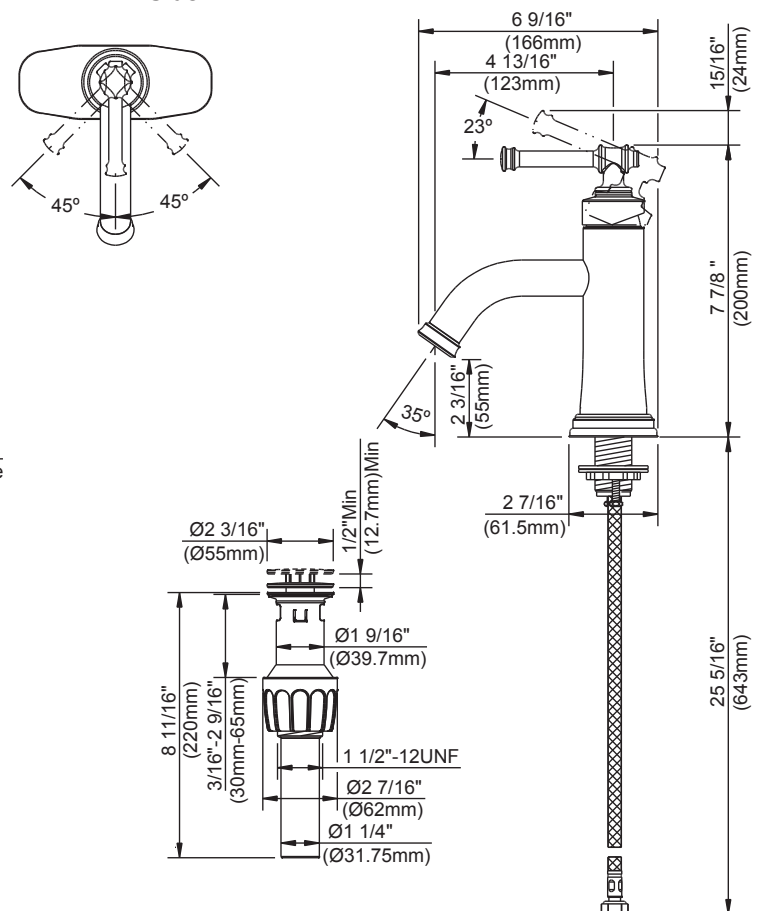


Product Diagrams

Front



Side

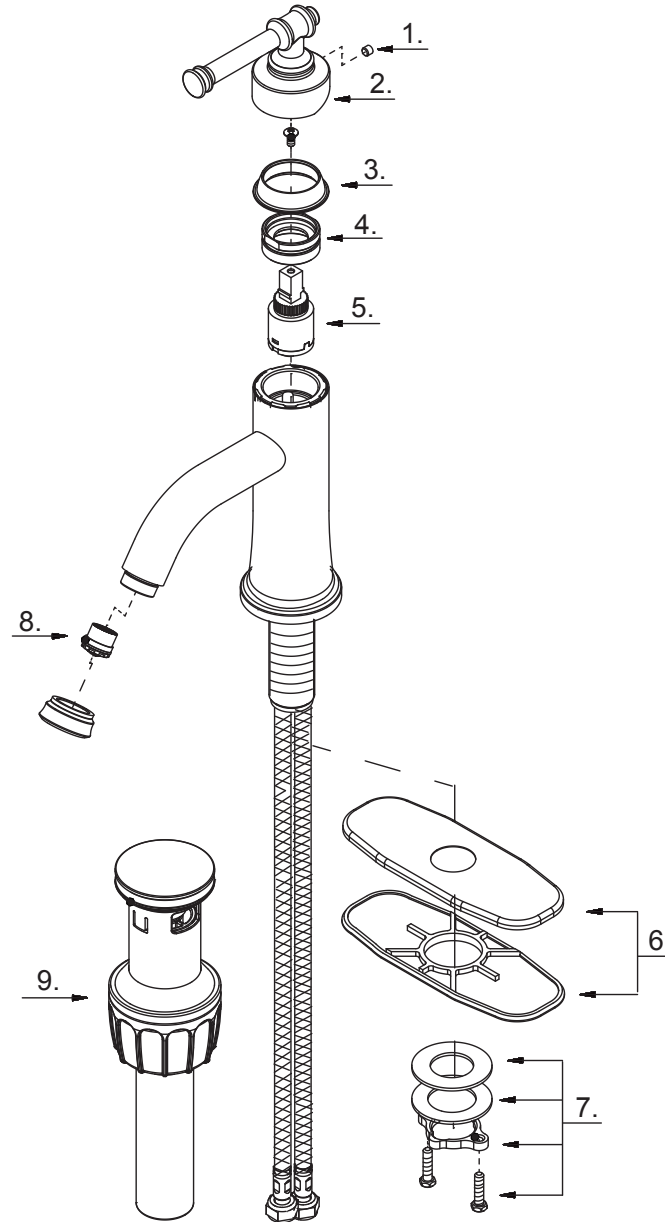


Please call our toll-free Technical Support line at 1-888-328-2383 or support@globeunion.com for additional assistance or missing parts.

Calder Single Handle Lavatory Faucet



Replacement Parts List



Part	Part #	Description
1	A008003	Screw
2	A079078	Metal Handle
3	A508038	Handle Trim Ring
4	A104387	Adjusting Ring
5	A507906N	Ceramic Disc Cartridge
6	A667A14	Deck Plate Assembly
7	A663221	Mounting Hardware
8	A553058N	Aerator 1.2 gpm
9	A505218	Push Down Drain