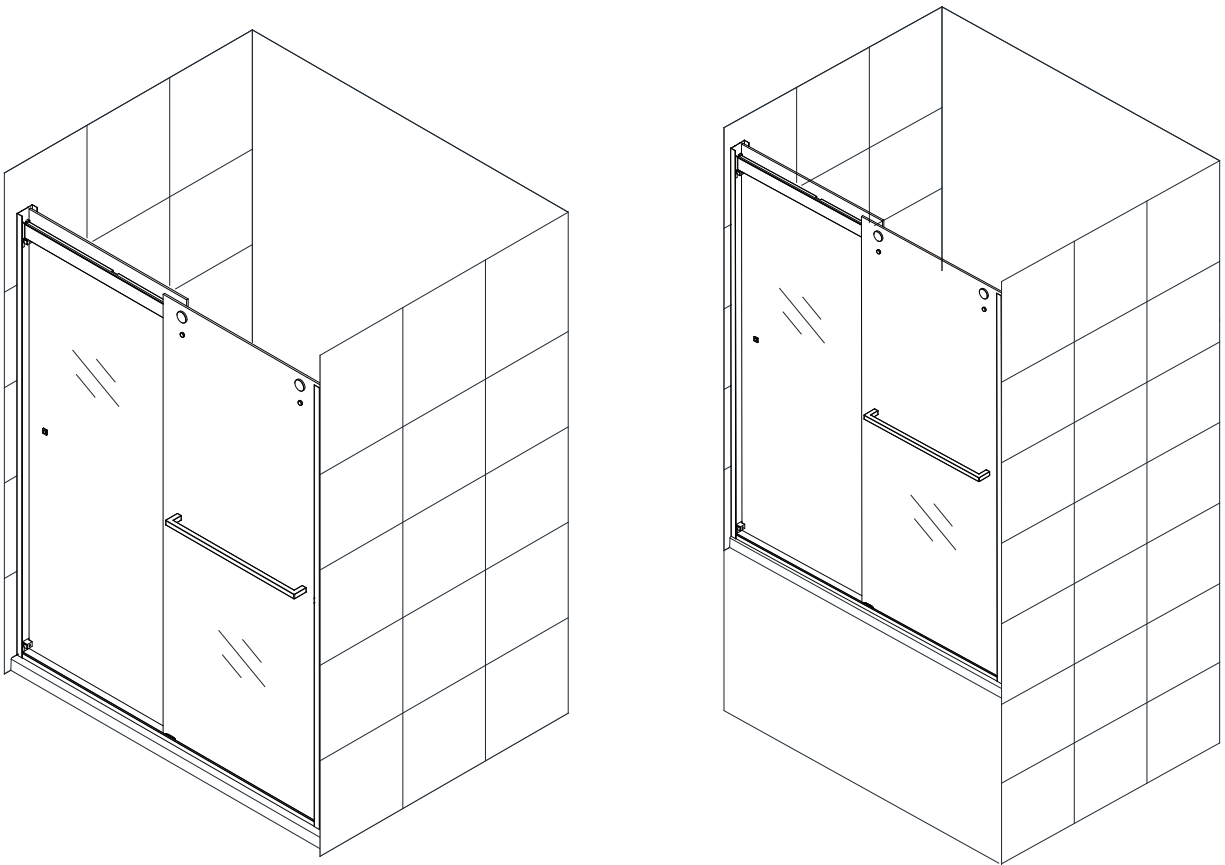


WIDE PROFILE HIDDEN ROLLER BYPASS

SHOWER AND TUB DOOR INSTALLATION INSTRUCTIONS

PLEASE REVIEW THIS ENTIRE MANUAL PRIOR TO INSTALLATION



IMPORTANT!

The manufacturer reserves the right to alter, modify or redesign products at any time without prior notice for the purpose of product improvement and customer experience.



Do not remove ClearMax stickers until glass is installed.

This model is treated with an exclusive ClearMax™ Glass technology. This is a specially formulated coating that prevents the build up of soap and water spots.

Install the surface with the ClearMax™ label towards the inside of the shower. Please note that depending on the model, the glass may be coated on either one or both surfaces.

For best results, squeegee the glass after each use and dry with a soft cloth.

Record the following purchase information for your records or in the event you need to contact the manufacturer.

Purchase Order Number _____

Store/Vendor Purchased From _____

Installation Date _____

OD Number (optional) _____
*found on the shipping box or label if available.


Installed By: _____

SKU Number _____


Table of Contents

Section Title	Page #
ClearMax® Coating Information	—
Important Product Information	2
Model Specific Preparation	3
Tools	4
Detailed Diagram of Shower/Tub Door Components	5
Parts List	6-7
Installation Steps	8-22
Cutting the Upper Guide rail and Bottom Rail	9
Installing the Guide Block	12
Drilling and Installing Wall Anchors for Wall Profiles	14
Installing the Top Guide Rail	16
Installing the Roller Wheels on Both Doors	17
Installing the Doors	18-19
Roller Wheel Assembly Adjustment Instructions	20
Roller Guard Installation	21
Product Maintenance	24
Troubleshooting	25
Factory Parts Information	26-28
Notes	29-30


Symbol Legend




TIP - for ease of installation.




CORRECT - recommended.



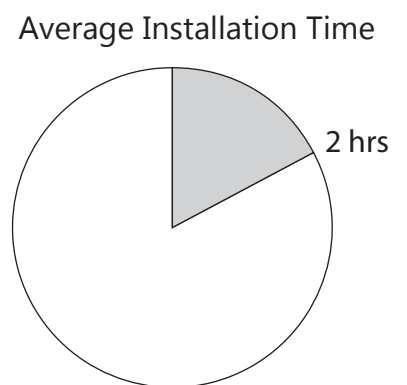
NOTE - take note of special feature; additional information.



INCORRECT - not recommended.



REQUIRED - requires special attention; signifies a warning.



Important Product Information

IMPORTANT

- The manufacturer reserves the right to alter, modify or redesign products any time without prior notice for product improvement and customer experience. Please refer to the manufacturer's web page for the latest technical drawings, installation manuals, warranty information or additional product details.
- This product should be installed by someone familiar with the construction requirements for this type of project and the care necessary for the safe installation and operation of the product.
- The safety of any installation is the responsibility of the installer.
- Professional installation recommended. *(All Models)*
- Professional installation required. *(Enigma Series)*
- To prevent damage or serious injury, Do Not lean against the installed panel/door/glass.
- To prevent damage or serious injury: Do Not attempt to lift or move a heavy lite of glass alone. Use an assistant and/or a professional grade glass suction cup.
- The installation of some models may require drilling down into the threshold. Contact the manufacturer of the base, tub, or threshold material with any questions regarding the drilling of holes into their product.
- All drawings in this installation manual are for illustrative purposes only and are not drawn to scale.

TEMPERED GLASS WARNING

- Your Shower Door Glass Could Shatter Without Warning if Improperly Installed or Mishandled
- Do Not install or operate a shower door if the glass has chipped corners, slivered edges or is otherwise damaged and/or has been dropped or banged into a hard surface such as tile, marble or glass.
- **The main causes of tempered glass breakage are:**
 - Improper handling, storage or installation
 - Misuse/abuse
 - Lack of maintenance
 - Failure to replace damaged glass
 - **Improper handling during storage, unpacking and installation:**
 - Corners and edges are the most susceptible area to damage on a lite of tempered glass and should be protected and handled with care during storage, unpacking, installation and operation. A concentrated point of pressure or impact with a surface harder than itself may cause the tempered glass to shatter. The tempered glass may release immediately, within several hours or even days later.
 - **Incorrect installation of door hardware, rollers, hinges, channels, stopper or glass:**
 - Improper installation may include: loose hardware and/or lack of proper gaskets between the hardware and glass. Additionally, improper alignment of guide rails, wall profiles or other hardware during installation or operation may place stress on the glass edges and cause it to break.
 - This product must be installed by a professional and experienced installer familiar with the safe handling of tempered glass.
 - **Improper use of this product:**
 - Aggressively opening or closing the door may cause trauma to the glass, which can lead to breakage. This may occur immediately or hours or even days later.
 - **The shower door hardware and glass should be inspected periodically:**
 - Instruct the homeowner how to perform a periodic inspection of the shower hardware and glass - some minor adjustments may be necessary based upon the use (or misuse) of the shower door. Ensure that the hardware remains tight and that the door alignment and operation are correct. Any adjustments should be made upon discovery to prevent damage to the product.
 - Additional considerations should be given to the installation of frameless tempered glass products in households with young children or an elderly person due to an increased chance of improper handling. In such cases, alternatives such as shower curtains or grab bars should be considered.

GENERAL PREPARATION

- After opening all boxes and packages, read this introduction carefully. Check that all the items are included in the package by marking off the components on the "**Detailed Diagram of Product Components**" page. Examine all boxes and packages for shipping damage. If the unit has been damaged, has a finishing defect, or is missing parts; please contact our Customer Support department within 3 business days of the delivery date. **Please note that the manufacturer will not replace any damaged products or missing parts free of charge after 3 business days or if the product has been installed.** Please contact the manufacturer if you have any questions.
- **Please note that you should refer to your local building codes with questions on installation compliance standards. Building and plumbing codes may vary by location, and the manufacturer is not responsible for code compliance standards for project and will not accept any returns.**
- If this unit is going to be installed in a new construction, install all the required plumbing and drainage before installing the shower. **Use a competent and licensed (if required by local code) plumber for all plumbing installation.**
- Make sure that prior to beginning the installation, the surfaces are leveled and solid and will be able to support the total weight of the unit. Also make sure the walls are at right angles. Irregular installation surface level, radius corners or improper angle of side walls will result in serious problems for your installation. Please note that some adjustments and drilling will be necessary during the installation process.
- Protect all primary surfaces of the product during installation. Never set your glass down directly onto a tile floor. Leave corner protectors in place until it is necessary to remove them. Always use a piece of wood or cardboard to protect the bottom edge and corners of the glass prior to and during installation.
- This unit must be installed upon a finished threshold and against finished walls.
- *These shower doors are not designed to be installed into a fiberglass surround due to the radius corners and lack of a solid surface to mount the hardware.*

WARNING: TO AVOID THE RISK OF DAMAGE OR INJURY:

- **Follow all recommendations and requirements as shown in the installation instructions.**
- Perform a thorough inspection of the glass and all parts for any damage prior to installation. Any damage to tempered glass can cause breakage. **Do Not install damaged glass!**
- Do Not install or operate a shower or tub door if the glass has chipped corners, slivered edges or is otherwise damaged. Do Not install or operate a shower or tub door that has been dropped or banged into a hard surface such as tile, marble or glass.
- **CAUTION:** Contact with any hard surface can damage tempered glass and cause it to shatter.
- This product uses tempered glass. Glass cannot be cut after it has been tempered. **Do Not attempt to cut tempered glass.**
- Glass Shower doors, Tub doors, Inline panels, and Return panels can shatter due to improper handling or lack of maintenance. Conduct periodic inspections of glass and all parts for possible damage, missing or loose parts.
- Always wear proper safety equipment such as: safety goggles, work gloves and appropriate footwear during the installation process.
- **WARNING. Risk of leakage and/or damage.** Follow all instructions regarding the application of silicone sealant or caulk. Allow 24 hours for the sealant to cure before the initial use of the shower or tub product. Follow the silicone manufacturer's recommendations regarding the use of their product.
- **Thoroughly read these instructions before installing or using this product.**
- **Leave this manual for the end-user of the product.**

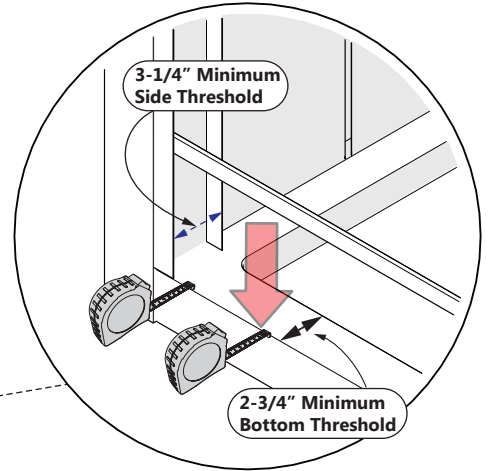
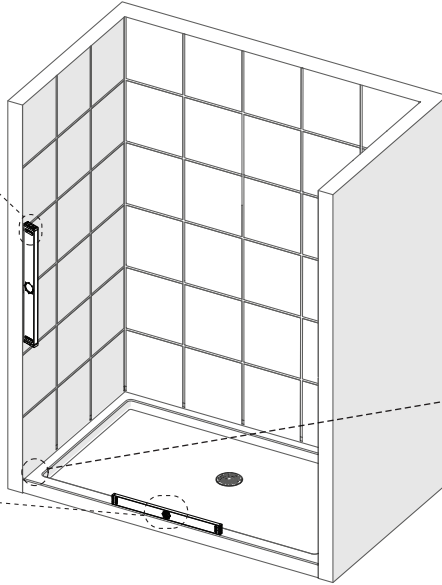


This product should be installed by someone familiar with the construction requirements for this type of project and the care necessary for the safe installation and operation of the product.

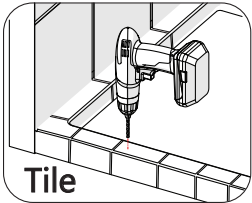
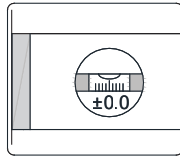
Model Specific Preparation

! REQUIRED:

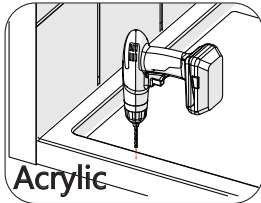
This model allows for up to 1/4" of out-of-plumb adjustment. Verify that walls are within that range before proceeding.



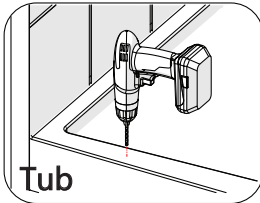
Threshold must be level !!



Tile



Acrylic



Tub



This model requires drilling into the threshold for proper installation. Contact the manufacturer of the base or tub with any questions.

DO NOT attach the handle or towel bar to the glass until instructed to do so. **DO NOT** attempt to use the handle or towel bar to lift the door glass during installation. This may result in damage to the glass and/or serious injury. Always use a professional-grade glass suction cup and an assistant.



DO NOT hang or drape a towel or wash cloth over the guide rail as this may cause the roller assemblies to get stuck and possibly cause serious damage or injury.



Leave corner protectors on the glass until it is necessary to remove them!

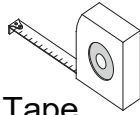


This door requires professional installation. Two installers recommended.

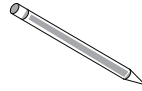
Tools



Level



Tape Measure



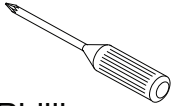
Pencil



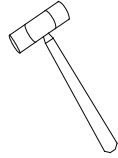
Drill bit
(Ø5/16")
(8mm)



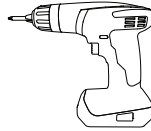
Drill bit
(Ø1/8")
(3mm)



Phillips
Screwdriver



Hammer



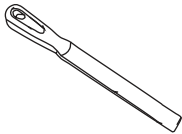
Screw
Gun



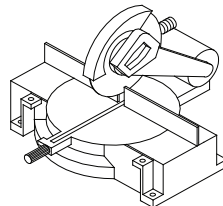
Power
Drill



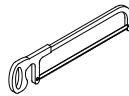
Painter's Tape



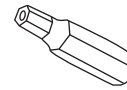
Metal File



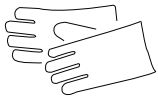
Miter saw or Hacksaw



HexHead driver bits
2.5mm, 3mm, 4mm



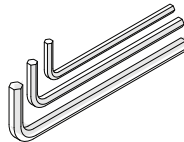
Silicone



Work Gloves



Safety Glasses



Allen keys



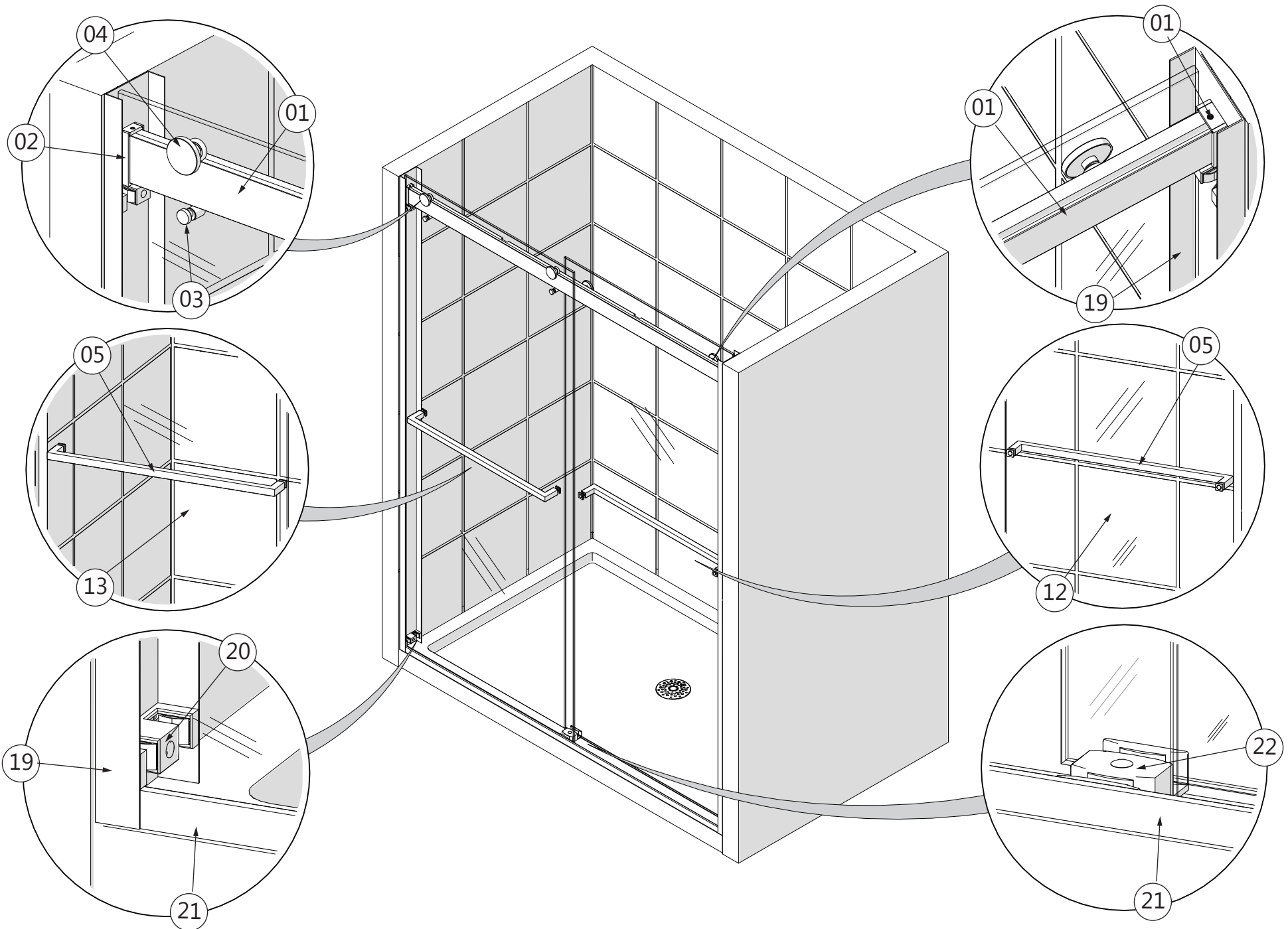
Verify that the correct model size has been ordered; measure the finished opening **before** proceeding with the installation.

Confirm that the finished walls are plumb and the threshold is level and pitched into the shower area.

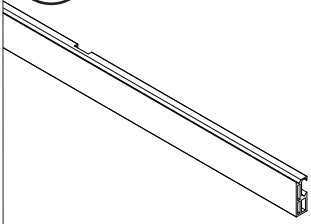
Use a good quality waterproof, mildew-resistant 100% silicone caulk.

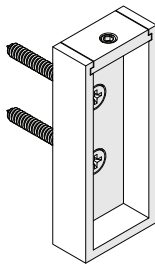
Cover the shower/tub drain with tape prior to installation to prevent the loss of screws or small parts.

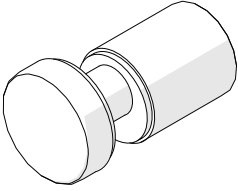
Detailed Diagram of Wide Profile Hidden Roller Door Components

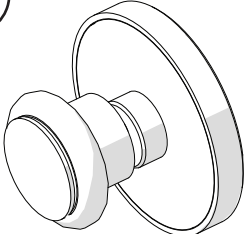


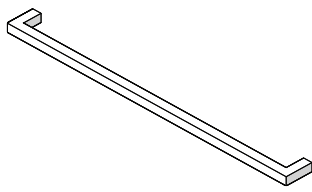
Parts List

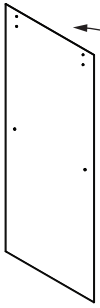
01

Upper Guide Rail x1

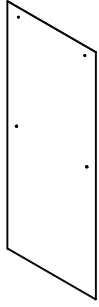
02

Guide Rail Bracket x2

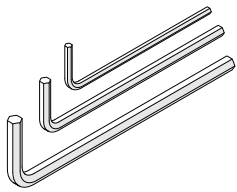
03

Roller Guard x2

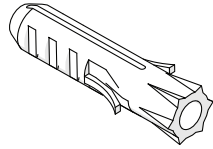
04

Roller x4

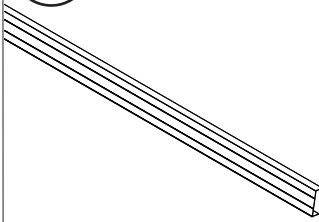
05

Towel Bar x2

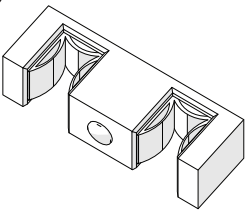
13

Note: 4 holes at top of glass
Outside Door Glass x1

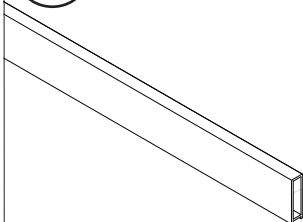
12

Inside Door Glass x1

14

Allen Wrench x3

18

Wall Anchor x5

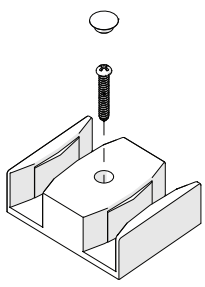
19

Wall Profile x2

20

SafeClose™ Bumper x4

21

Bottom Guide Rail x1

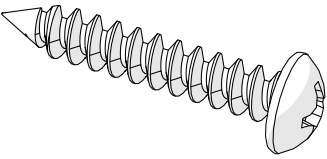
Parts List

22



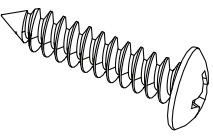
Guide Block **x1**

23



ST4.0x40mm
Pan Head screw **x4**

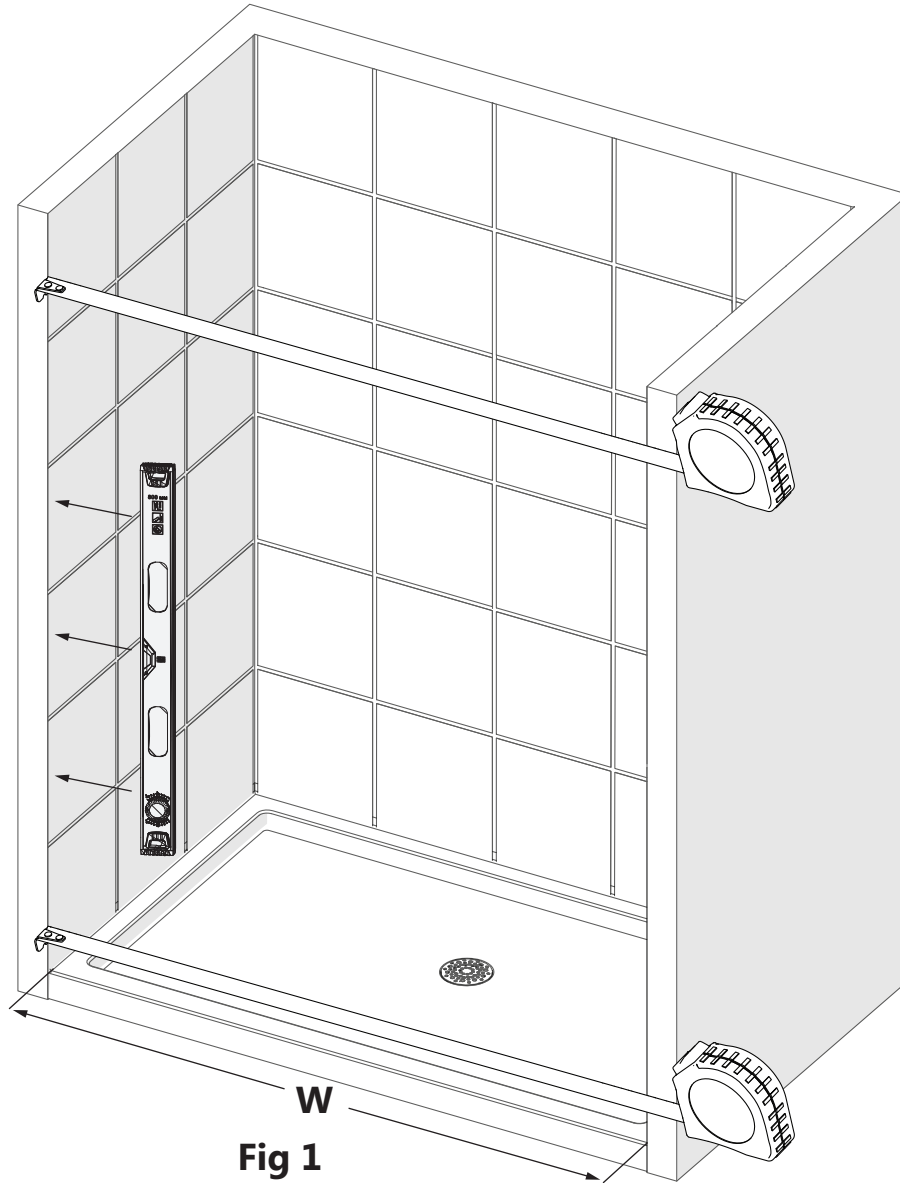
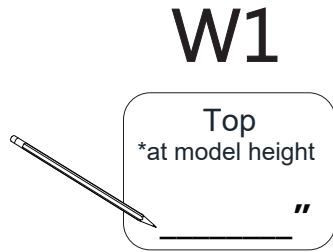
24



ST4.0x 20mm
Pan head screw **x1**

Installation Steps

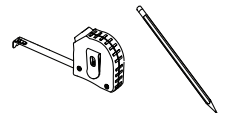
1



NOTE

Measure the finished opening width at the top (**W1**) and bottom (**W2**). Check the threshold for level across the span, and that it pitches slightly inward. Check the walls for plumb with a 4' level. This model will accommodate up to 1/4" for out-of-plumb conditions. **Fig 1**

Tools Needed



2

Cutting the Upper Guide Rail and Bottom Rail

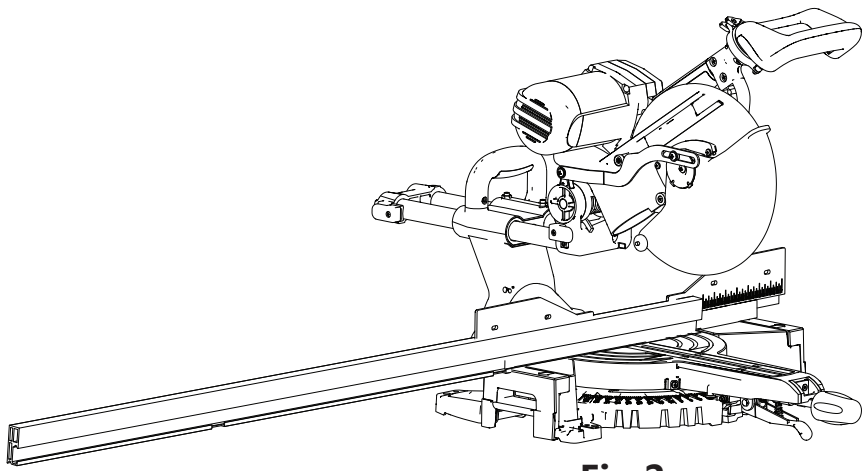


Fig 2a



Cut the **Upper Guide Rail (#01)** to: "W1" (top) dimension - 5/8" (Fig 2a)



Tip: Use a metal file to remove any burrs from the cut ends of the rails.



Cut the **Bottom Rail (#21)** to: "W2" (bottom) dimension - 3/16" (Fig 2b)

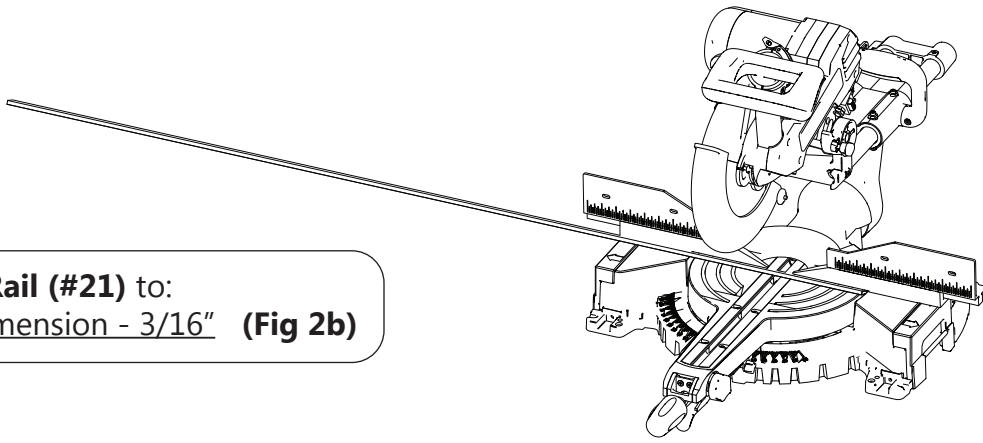
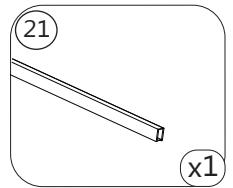
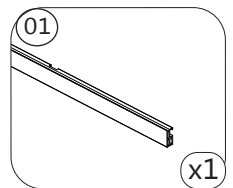
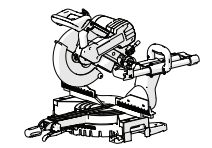


Fig 2b

Parts Needed



Tools Needed

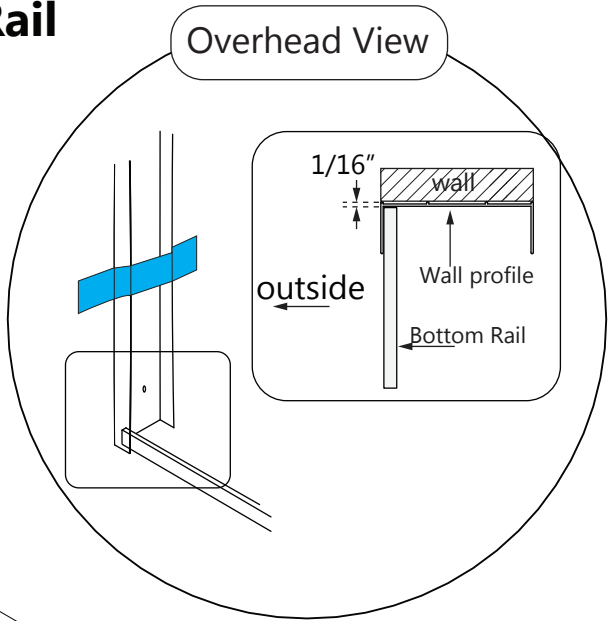


3

Placing and Marking the Bottom Rail

NOTE

Use the **Wall Profiles (#19)** as spacers to offset the **Bottom Rail (#21)** 1/16" from each wall. Tape them in place temporarily. The **Bottom Rail (#21)** should not make contact with the walls. Position both pieces, keeping the threshold width requirements in mind. Be sure the **Bottom Rail** is parallel with the front threshold edge. Mark the position of the **Bottom Rail** for installation. **Fig 3**



Threshold must be level.

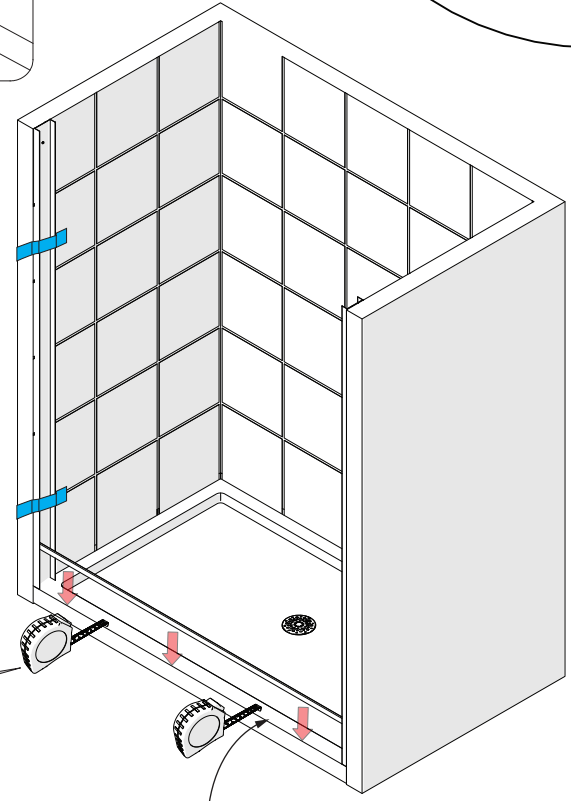
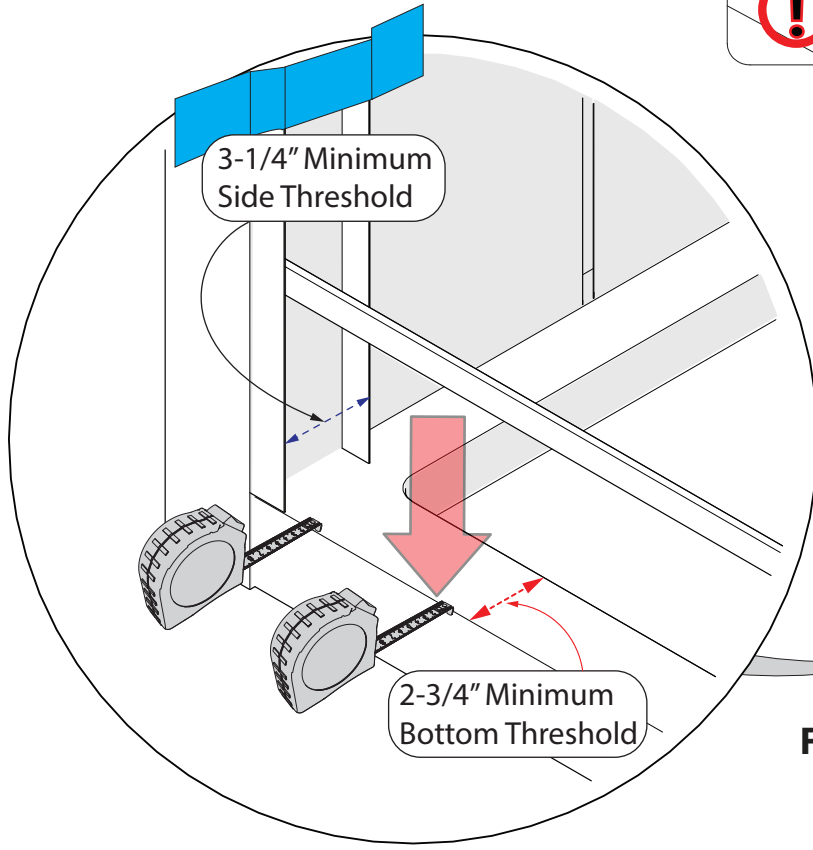
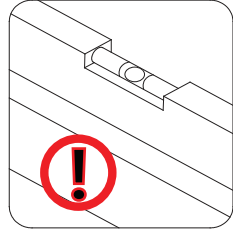
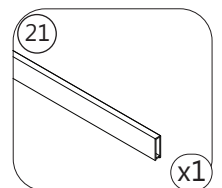
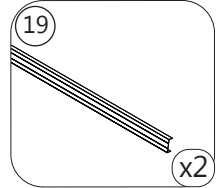


Fig 3

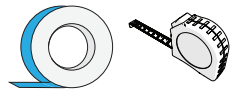
NOTE

Bottom Rail must be parallel to the outer edge of the threshold.

Parts Needed



Tools Needed



4

Installing the Bottom Rail

NOTE

Apply a bead of clear silicone on the underside of the **Bottom Rail** and place it back on the mark just made on the threshold. **Fig 4**

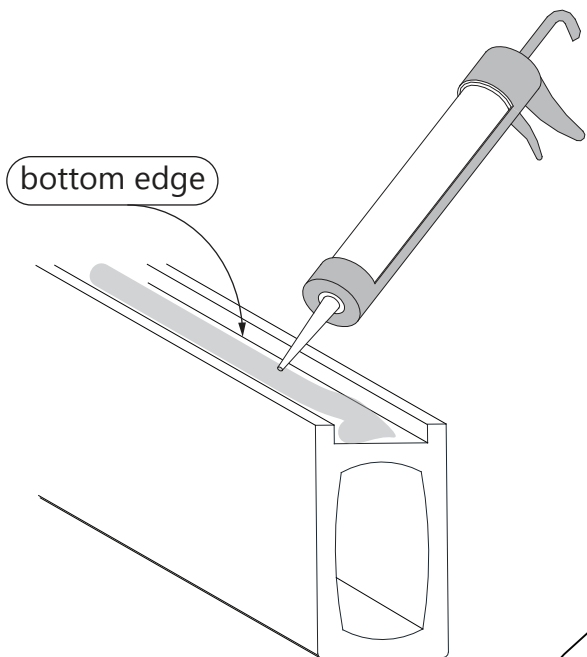


Fig 4a

NOTE

Apply silicone to the inside bottom edge of the **Bottom Guide Rail** once it is in place.

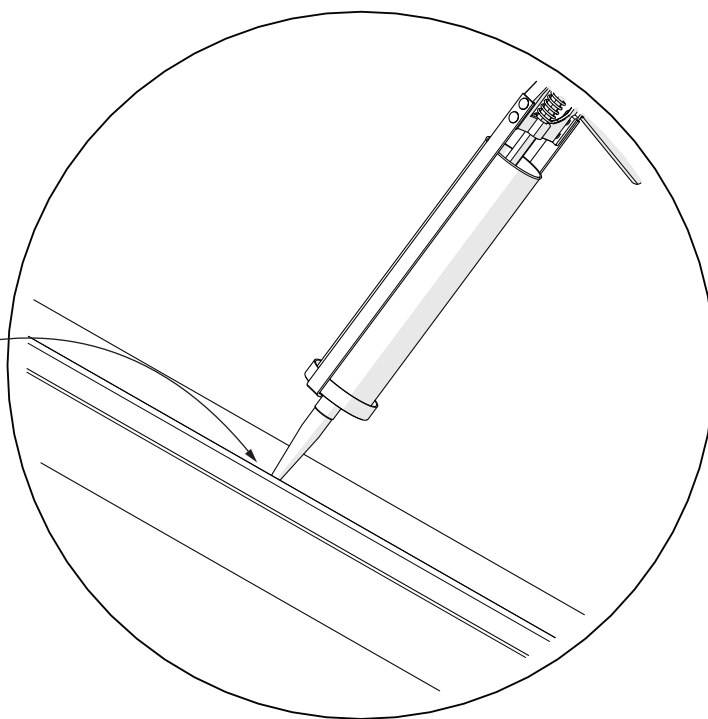
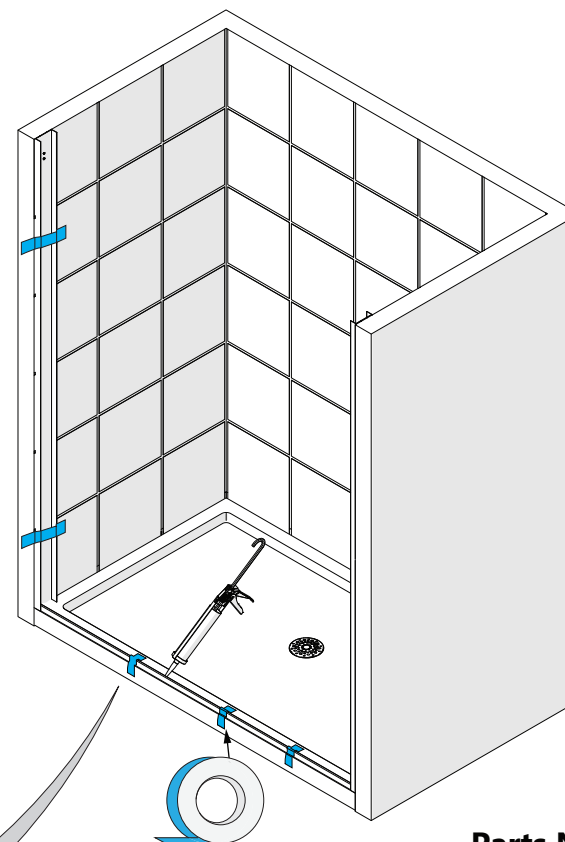


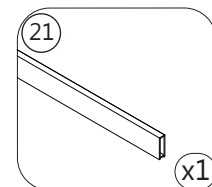
Fig 4b



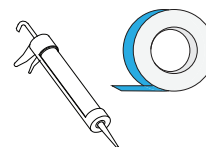
NOTE

Use several strips of Painter's Tape to hold the **Bottom Guide Rail** in position while the silicone cures.

Parts Needed



Tools Needed



5

Installing the Guide Block

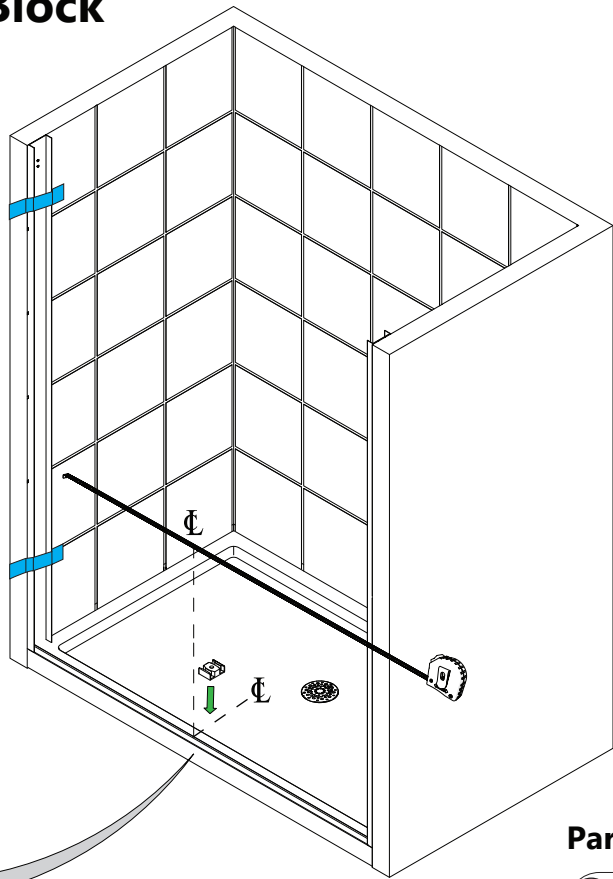
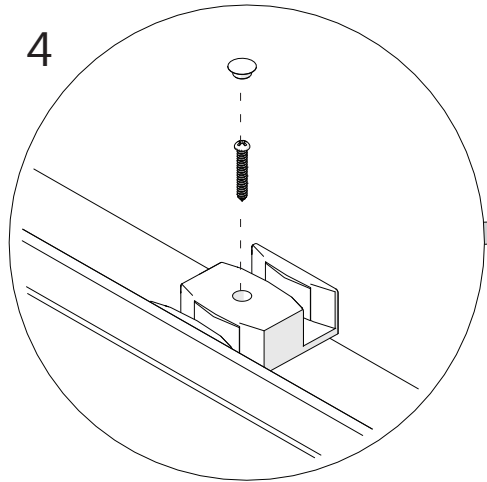
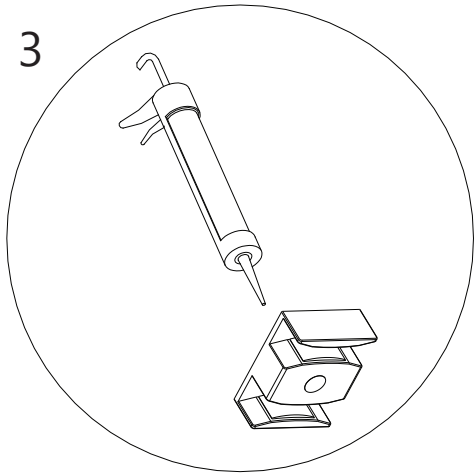
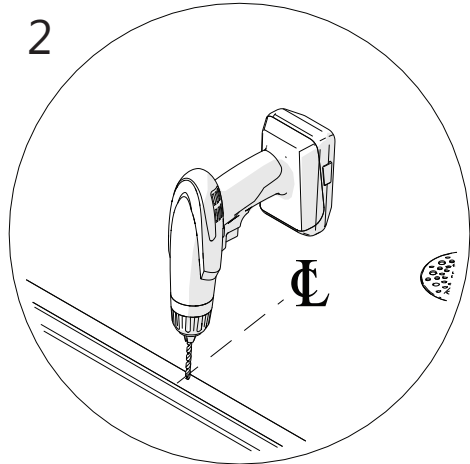
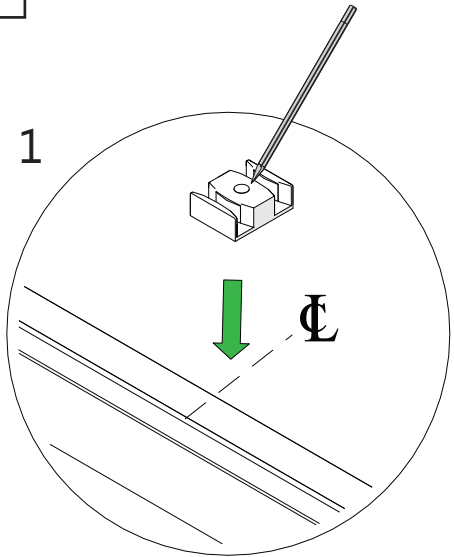
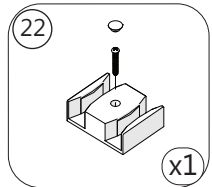
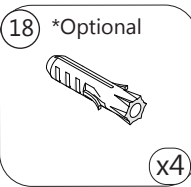
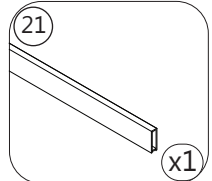


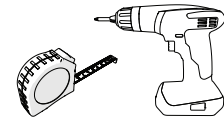
Fig 5

Parts Needed



- For installation into a tile threshold over wood, drill a **Ø1/8" (3mm)** hole.
- For installation into an acrylic, fiberglass or molded threshold, drill a **Ø1/8" (3mm)** hole.
- * For installation into a prefabricated substrate threshold, drill a **Ø5/16" (8mm)** base, and insert a **Wall Anchor (#18)**.

Tools Needed



6

Plumbing and Marking the Wall Profiles

NOTE

Remove the tape from the **Wall Profiles**. Plumb both profiles and hold them stationary while marking the holes for drilling **Fig 6**

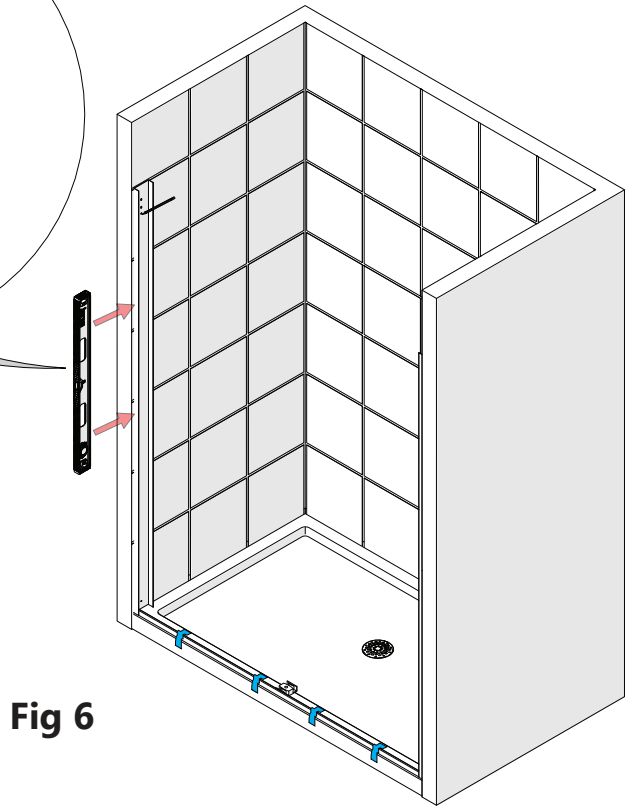
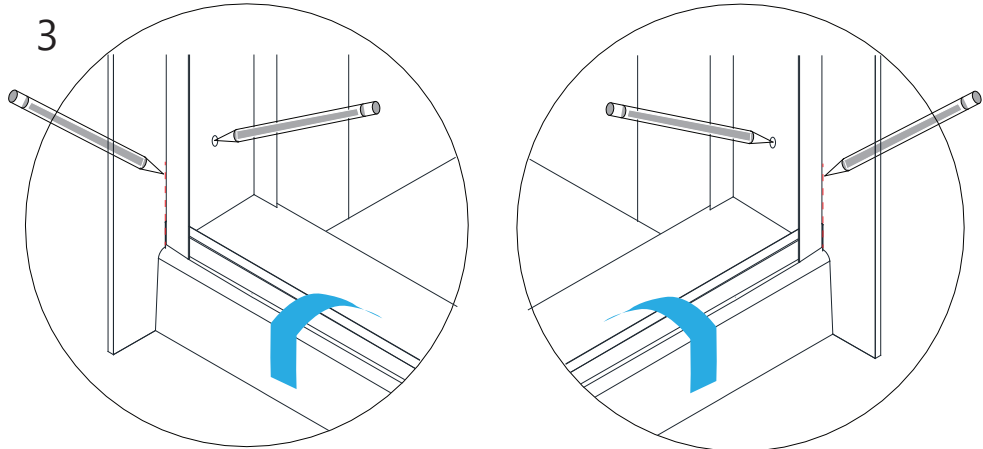
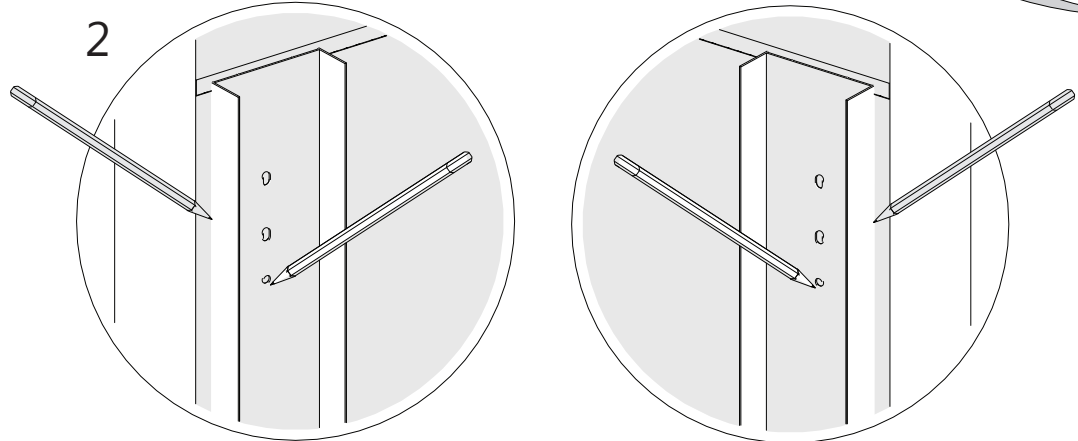
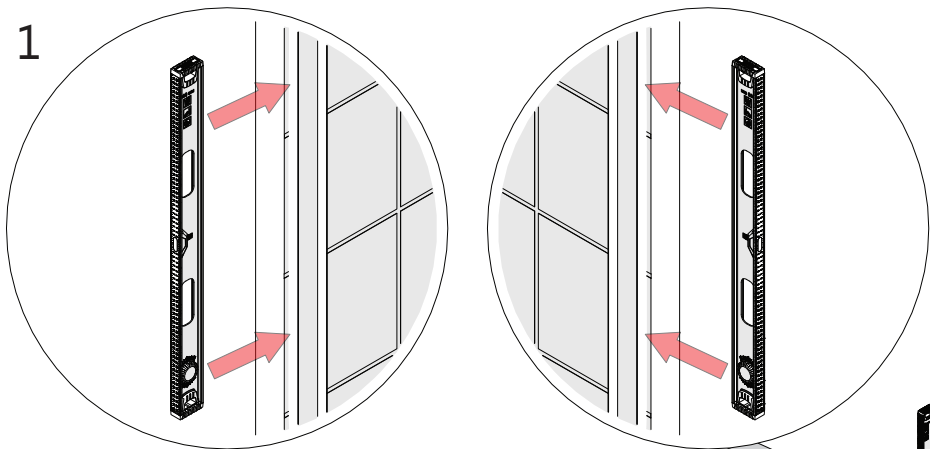
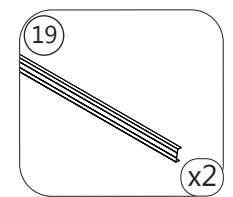
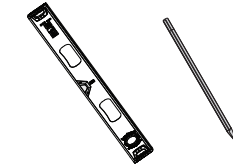


Fig 6

Parts Needed



Tools Needed



7

Drilling and Installing Wall Anchors for the Wall Profiles

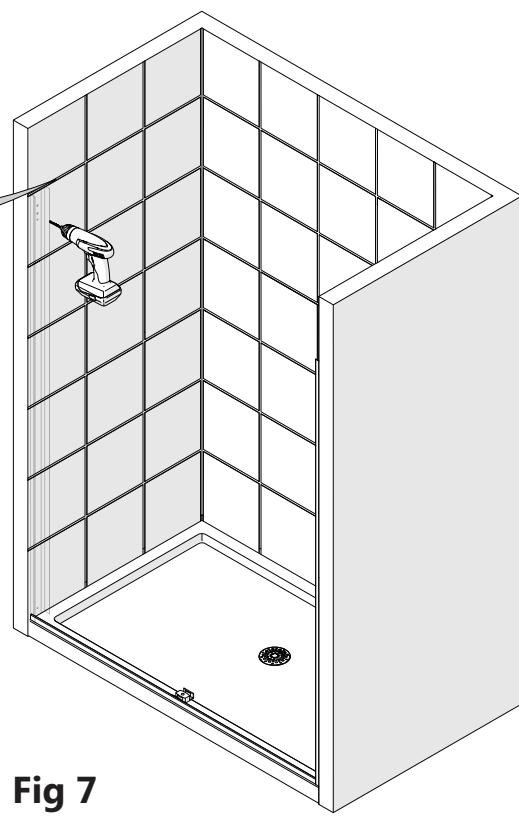
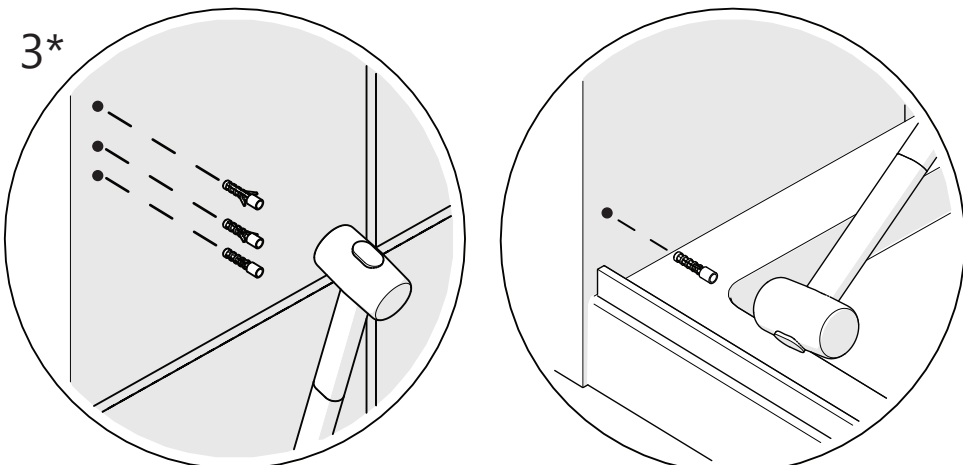
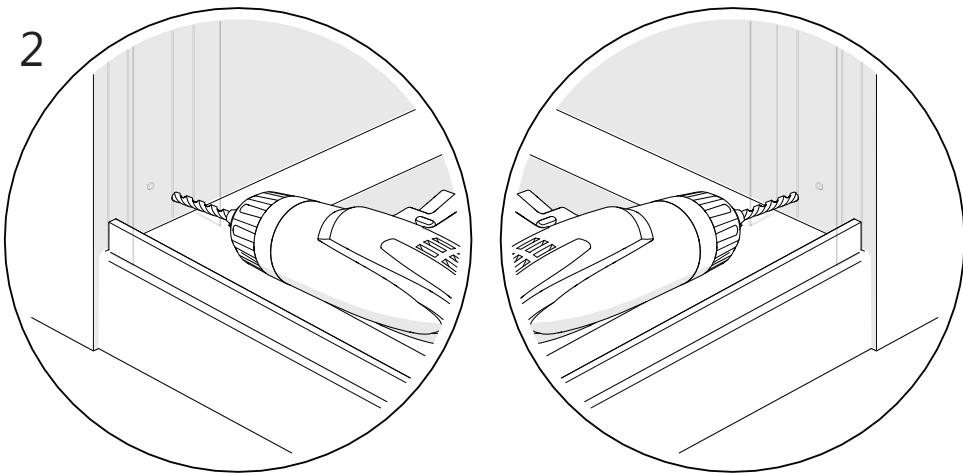
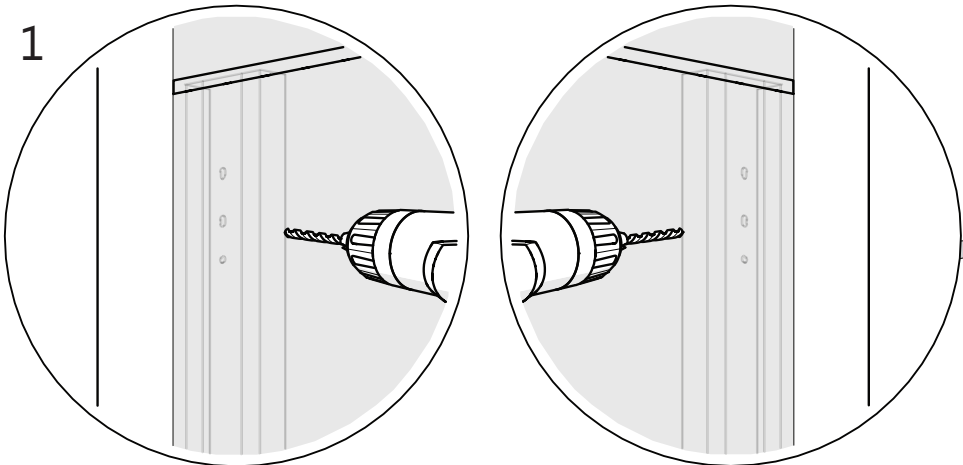
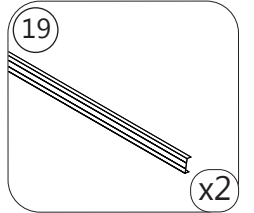
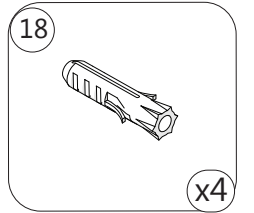


Fig 7

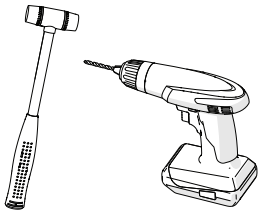
NOTE

*Install anchors on both sides of the opening.

Parts Needed



Tools Needed



8

Installing the Wall Profiles, Guide Rail Brackets and Bumpers

NOTE

Remove the Top with the Set Screw from the Guide Rail Brackets.

NOTE

Apply silicone to the backs of both Wall profiles. Install the caps over the screws for the Bumpers.

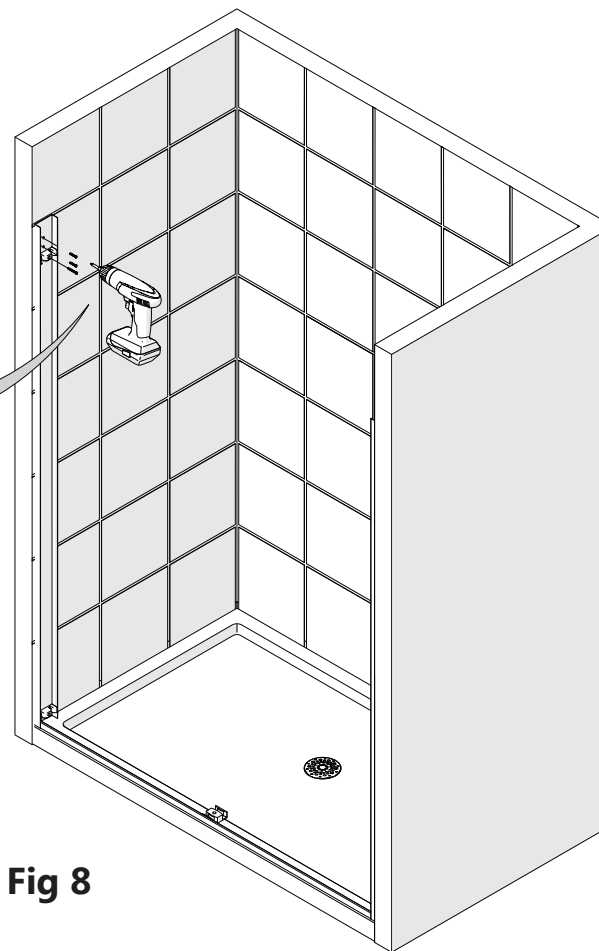
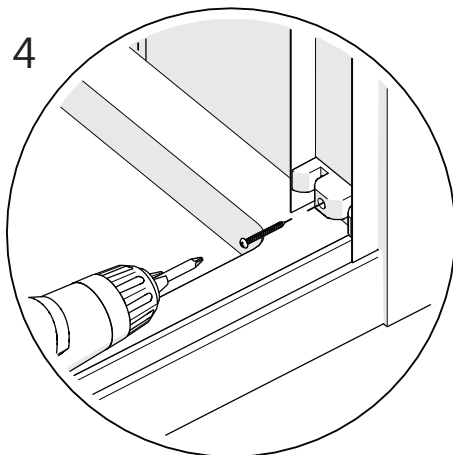
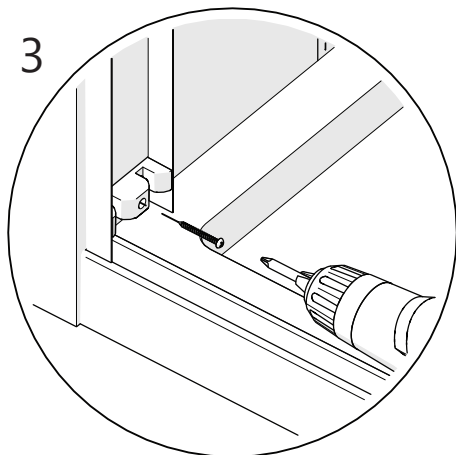
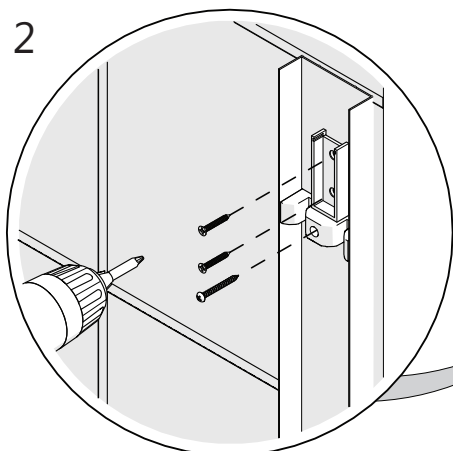
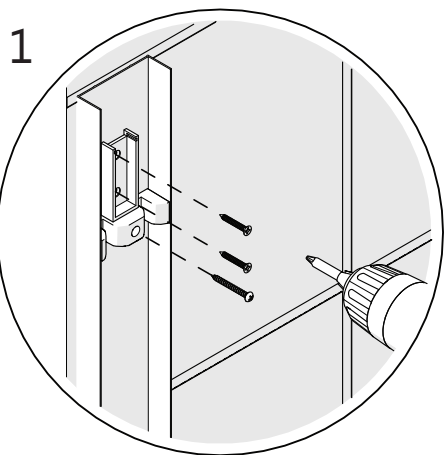
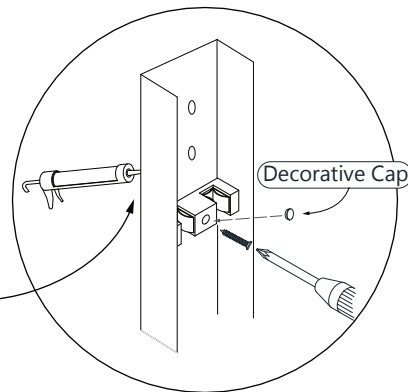
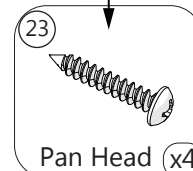
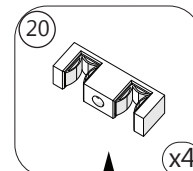
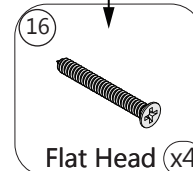
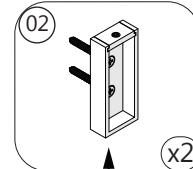
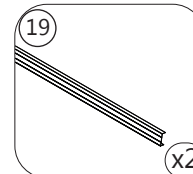
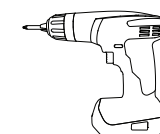


Fig 8

Parts Needed



Tools Needed



9

Install the Top Guide Rail and Bracket Caps

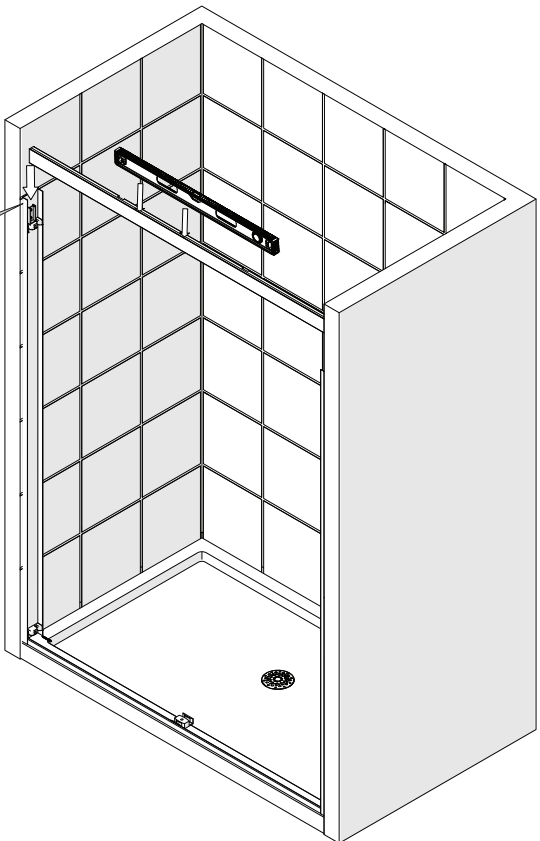
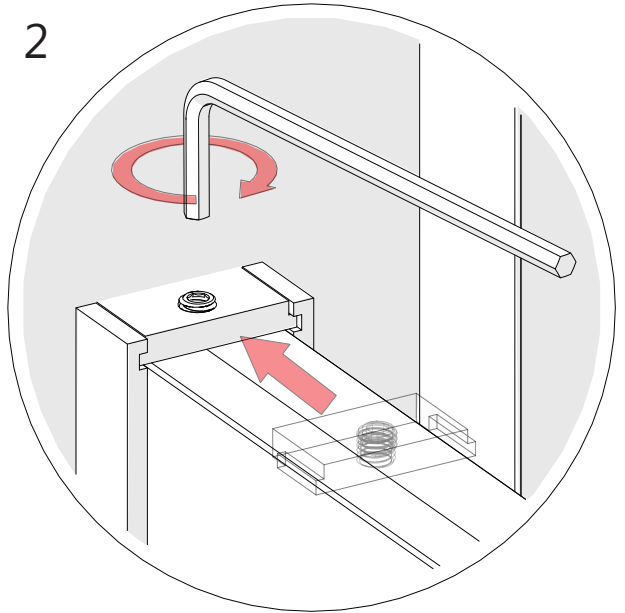
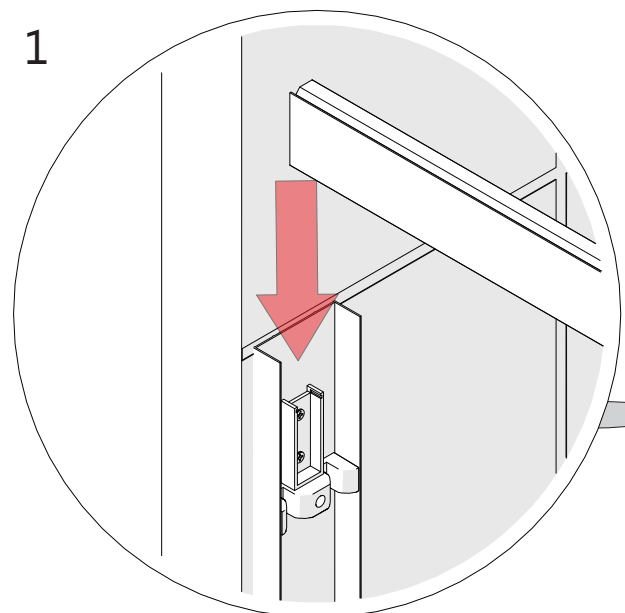
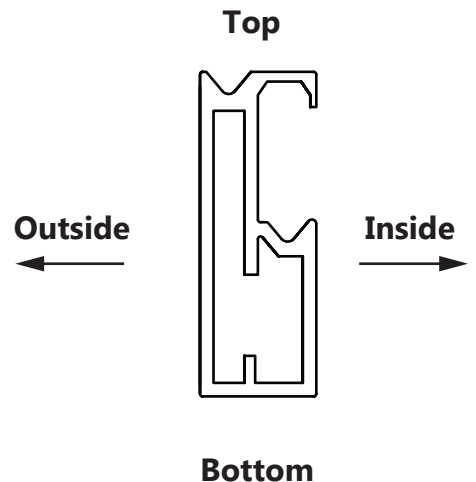


Fig 9

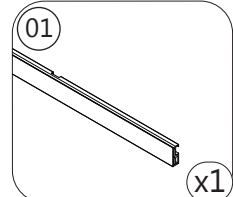
Top Guide Rail position



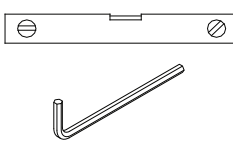
NOTE

Install the **Top Guide Rail (#01)** and **Bracket Caps** (as shown) and check the **Guide Rail** for level with a 4-foot level. **Fig 9**

Parts Needed



Tools Needed

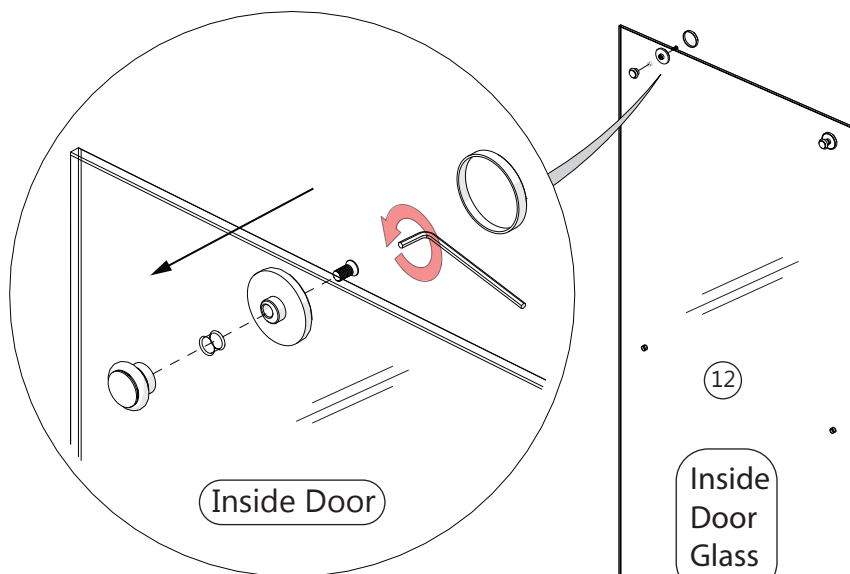


10

Installing the Roller Wheels on Both Doors

NOTE

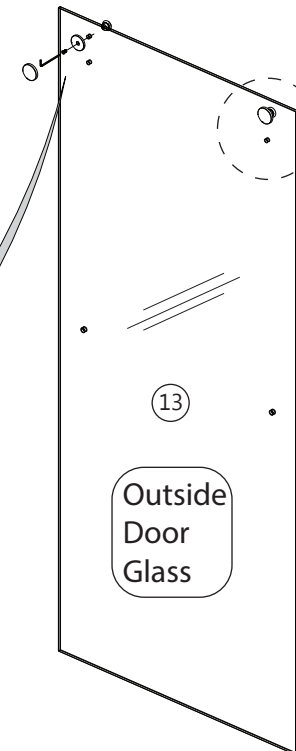
Use an Allen key to install **Rollers (#04)** on both doors, facing in opposite directions.



Inside Door

NOTE

Note that only the Outside Door Glass has four holes on top; for the rollers and the roller guards.

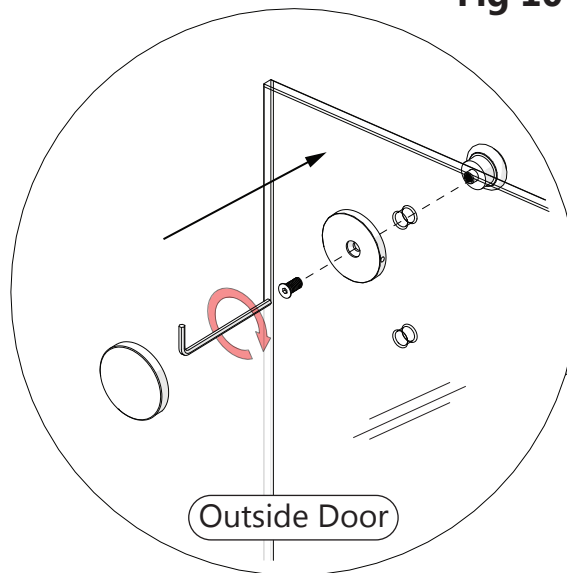


Outside Door Glass

Fig 10

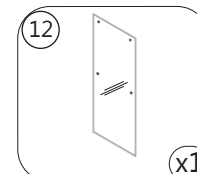
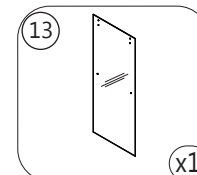
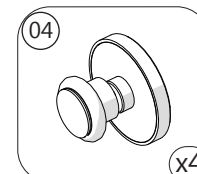
NOTE

Use an Allen key to install **Rollers (#04)** on both doors, facing in opposite directions.



Outside Door

Parts Needed



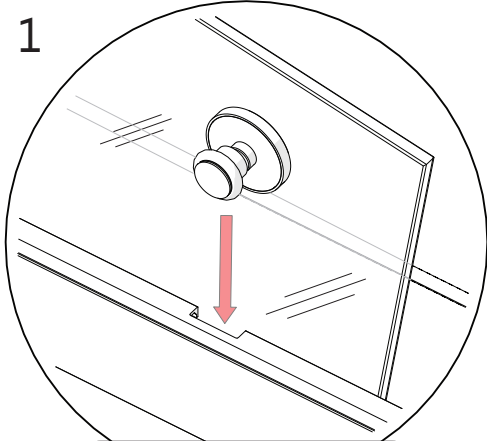
Tools Needed



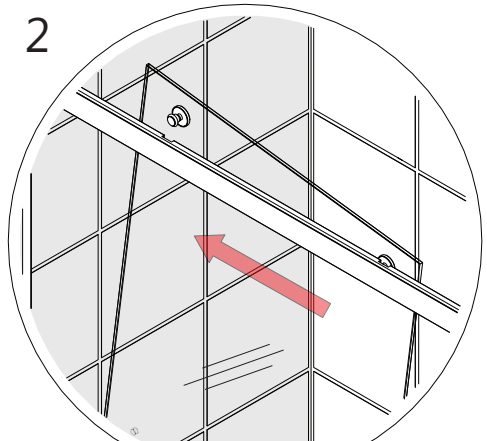
Always protect the Glass Door edges. Never allow the glass to contact anything as hard as glass or harder. Do not install Towel Bars until directed to do so. **Fig 10**

11

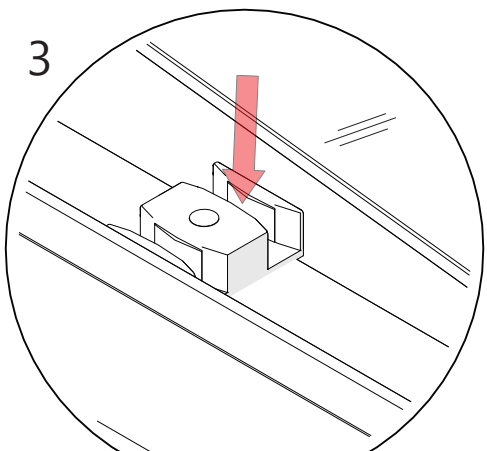
Installing the Door Glass



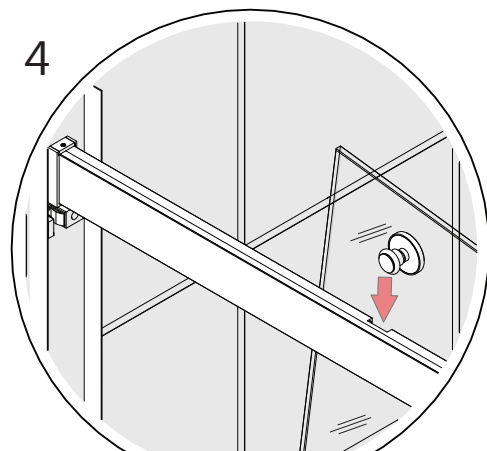
Insert **Right** roller first



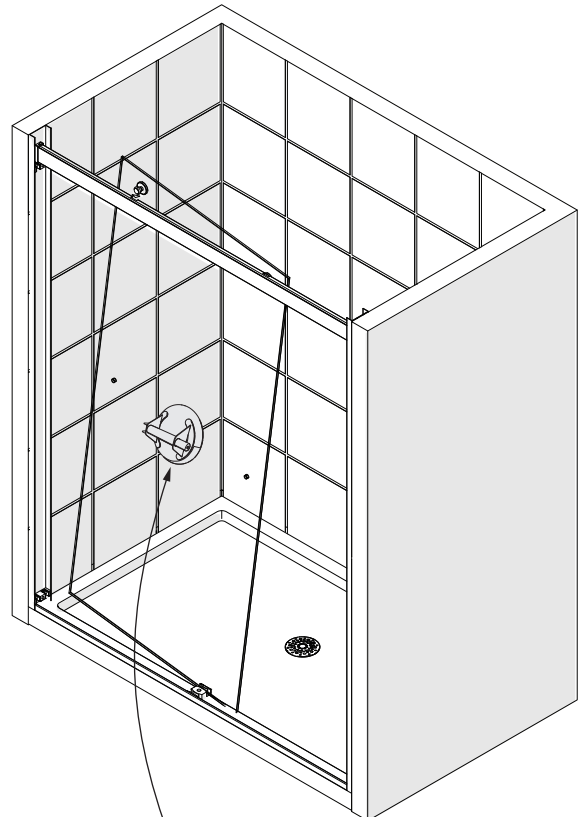
Slide door over to 2nd slot



Guide glass into Guide Block



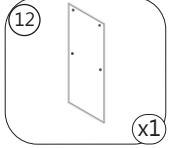
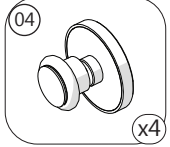
Insert **Left** roller in slot



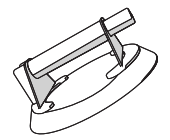
TIP

Using a glass suction cup to move heavy glass is highly recommended. Always protect glass edges.

Parts Needed

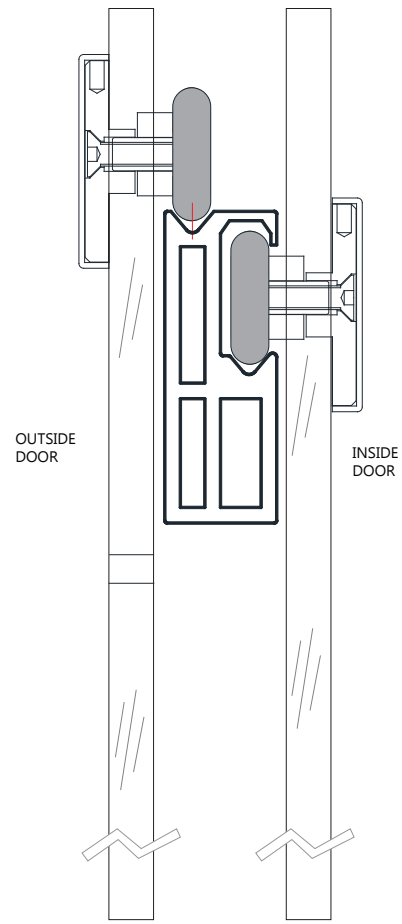
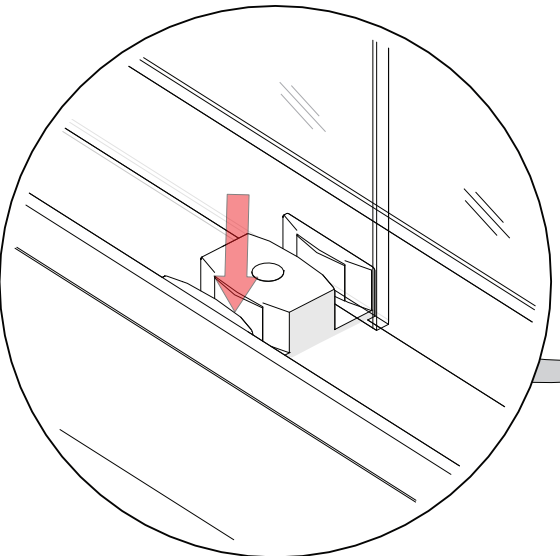
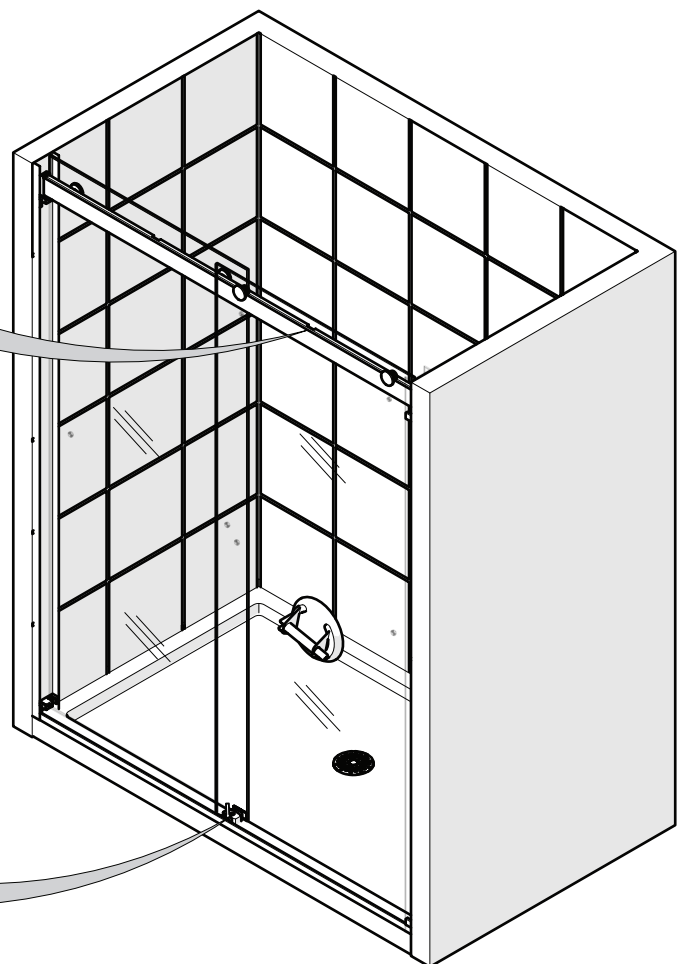
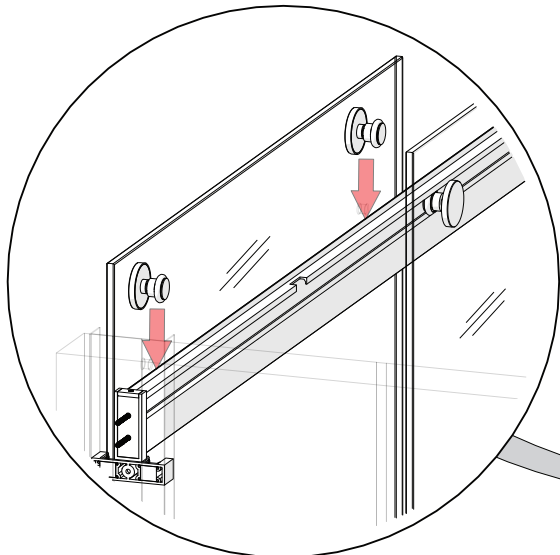


Tools Needed

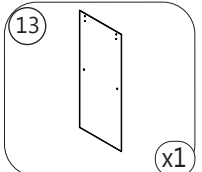


12

Installing the Outside Door Glass



Parts Needed



Tools Needed

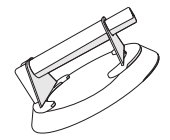


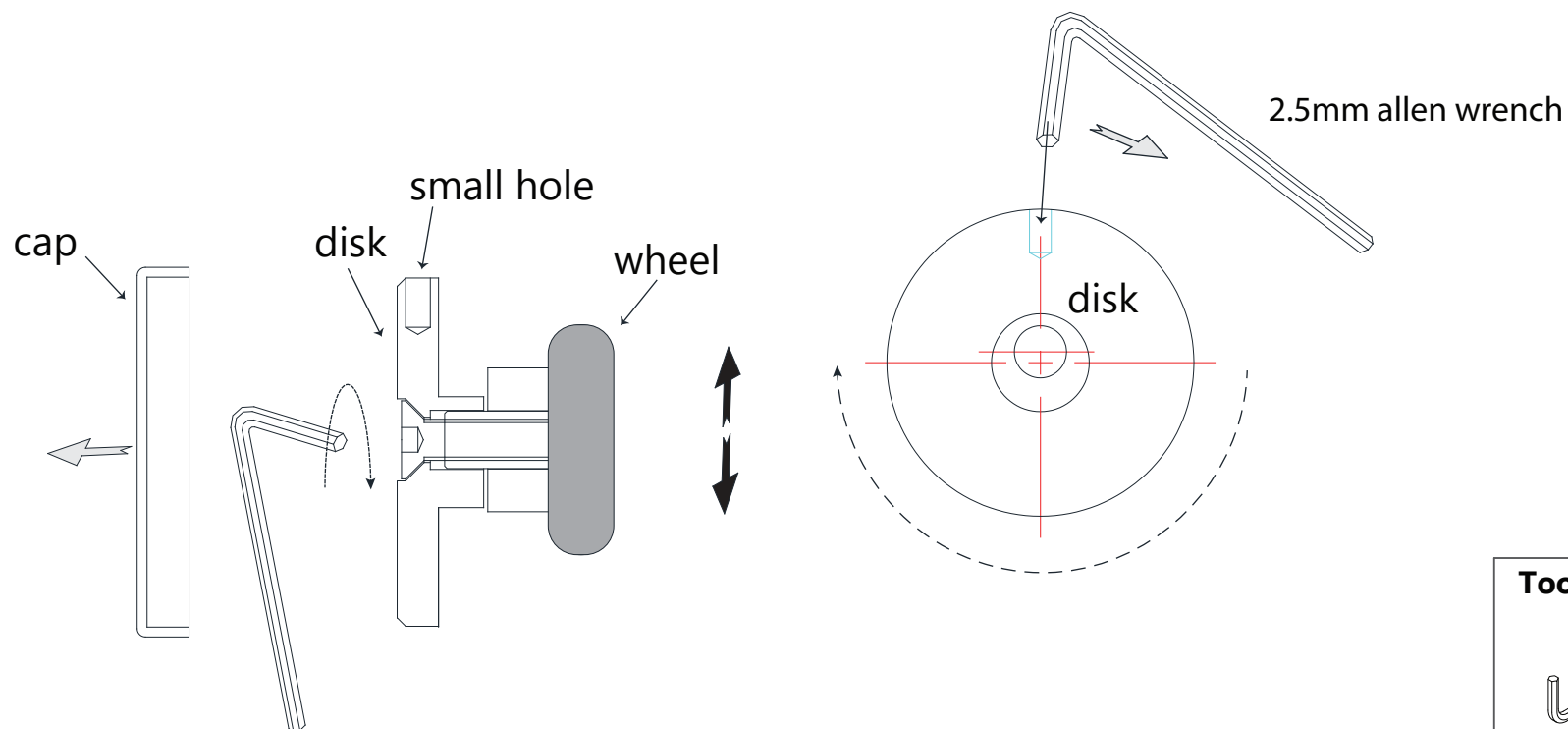
Fig 12

13

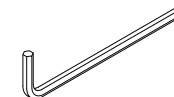
Roller Wheel Assembly Adjustment Instructions

TIP: The wheel assembly bushing that fits through the hole in the glass is elliptical. By rotating this disk, the door glass can be adjusted (tilted) slightly in order to make even contact with both the top and bottom wall bumpers.

- Use a shim beneath the door glass to prevent contact with the threshold during adjustments
- Temporarily adjust the roller guards for clearance
- Remove the cap from the wheel assembly and loosen the bolt
- Insert the small 2.5mm allen wrench or similar into the small hole in the edge of the adjustment disk to help rotate the disk (**see Fig 25**) and tilt the door glass into the desired position
- Hold the glass in position and re-tighten the bolt
- Test the operation of the door. Repeat on the other wheels as necessary
- Replace the Wheel assembly cap
- Re-adjust and fully tighten the **Roller Guards (#03)** to within 1/16" of the **Upper Guide Rail (#01)** (**Fig 22a and Fig 22b**)



Tools Needed



14

Roller Guard Installation

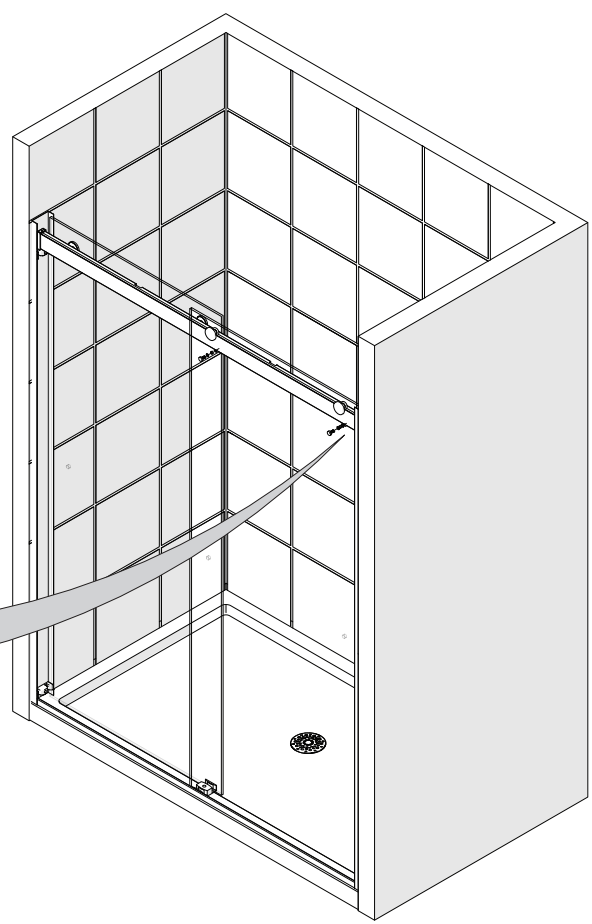
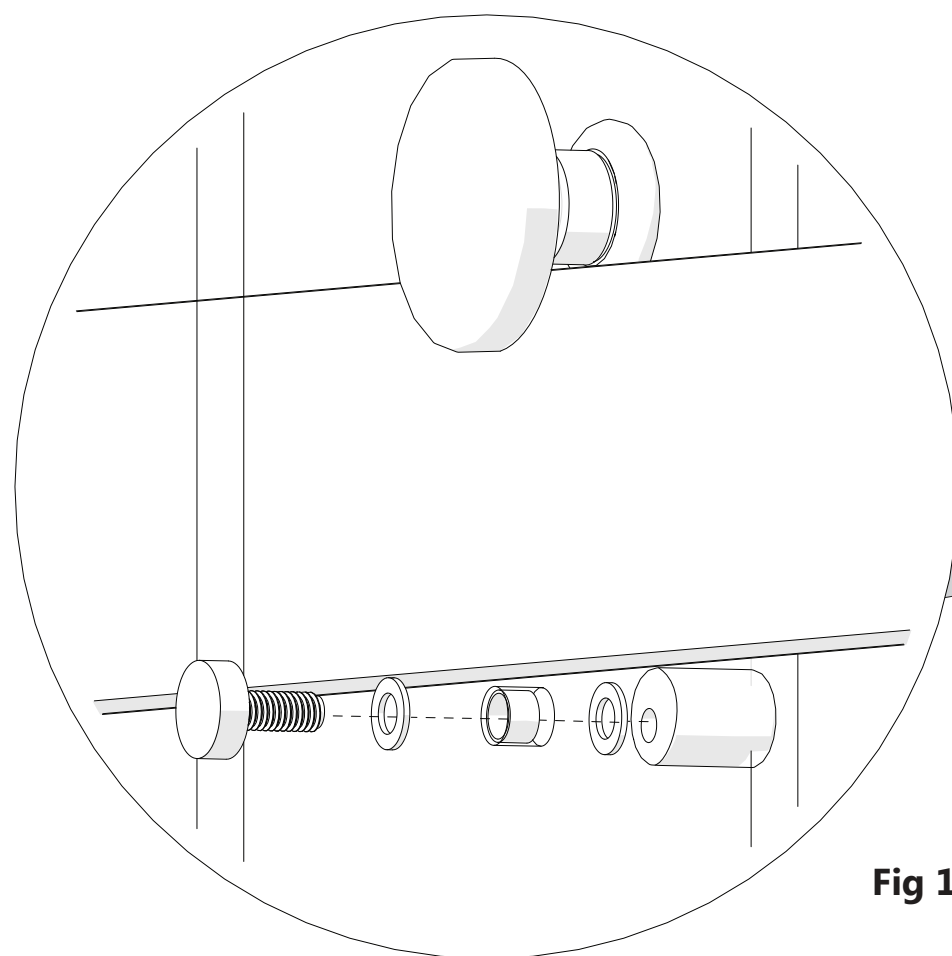
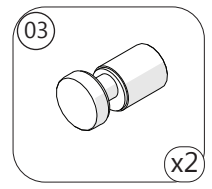


Fig 14

NOTE

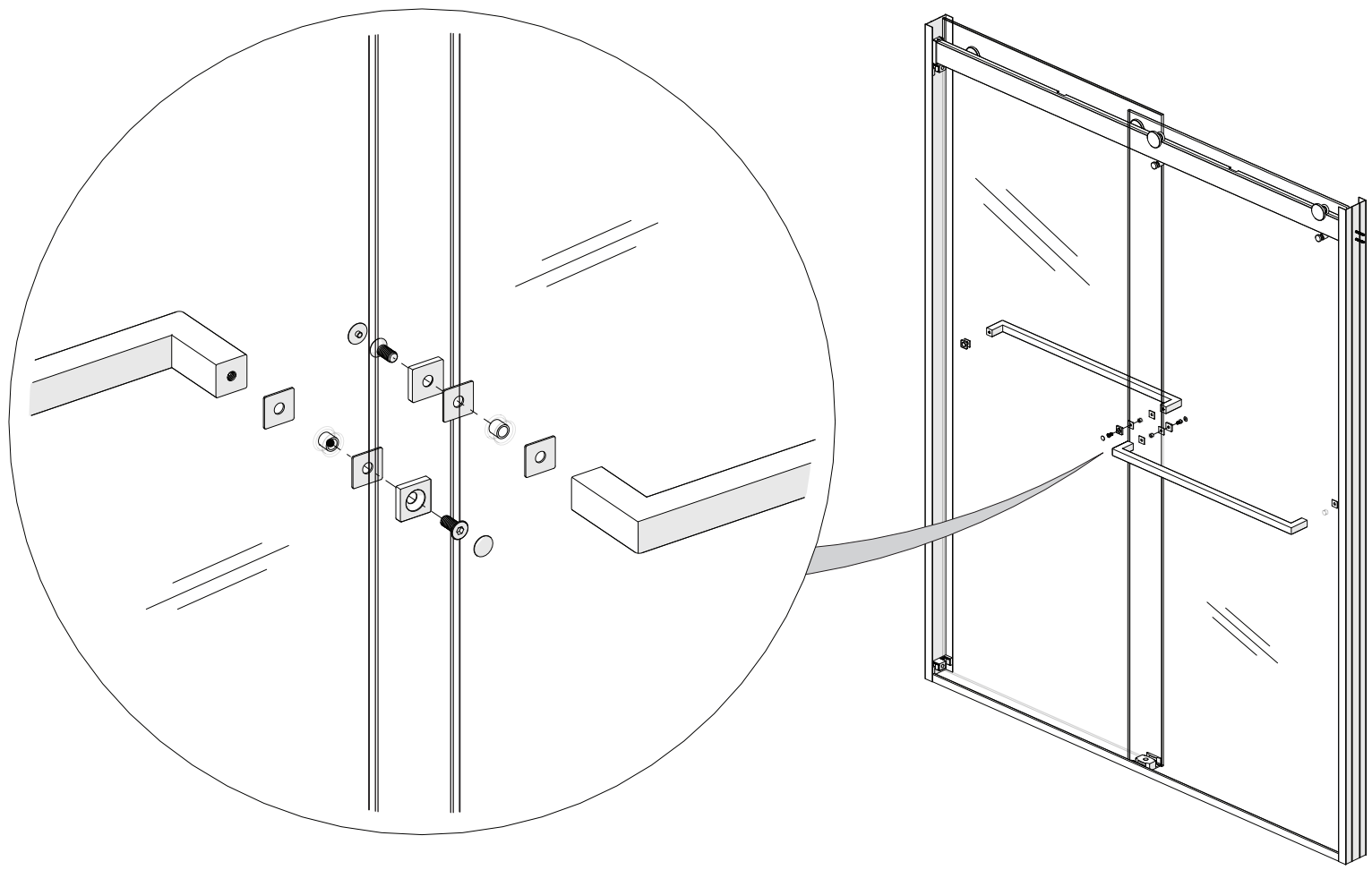
Install both **Roller Guards (#03)** 1/16" beneath the **Top Guide Rail (#01)** **Fig 14**

Parts Needed

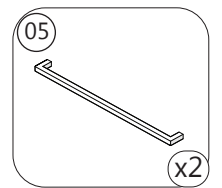


15

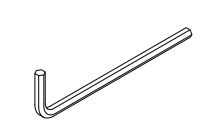
Towel Bar Installation



Parts Needed

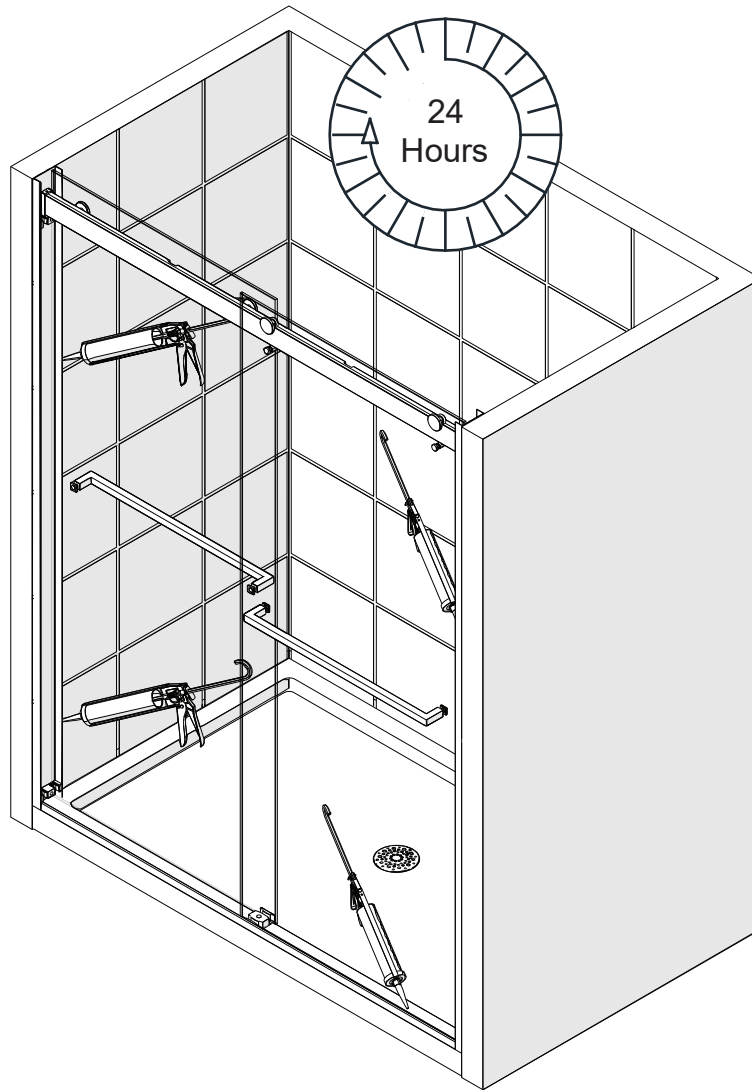


Tools Needed



16

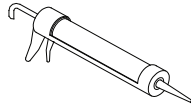
Apply Silicone to Interior Perimeter



NOTE

Apply a good-quality, mildew-resistant silicone to the entire interior perimeter. Allow 24 hours for the silicone to cure before using the shower. **Fig 16**

Tools Needed



Product Maintenance

BASES and BACKWALLS: To ensure long-lasting life for your acrylic back walls, wipe them off after each use with a soft cloth. To clean the acrylic back walls use non-abrasive sprays or cream-based cleaners. Avoid the use of aerosol spray cleaners. Never use abrasive cleansers, metal brushes or scrapers that could scratch or dull the surface.

GLASS: To ensure long-lasting life for your glass shower products, wipe them off after each use with a soft cloth. Rinse and wipe off the glass using either a soft cloth or a squeegee to prevent soap buildup and water spots (Hard water can etch the surface of the glass over time if left to dry). To prevent scratching the surface: never use abrasive cleaners or cleaning products that contain scouring agents. Never use bristle brushes or abrasive sponges that may scratch the surface.

HARDWARE: To ensure a long-lasting finish, wipe off the metal parts after each use with a soft cloth. Do not use abrasive cleaners or cleaning products containing ammonia, bleach or acid. If accidentally used, rinse the surface as soon as possible to prevent damage to the finish (peeling or corrosion). After cleaning the polished finishes, rinse thoroughly and wipe dry with soft cloth. Clean stainless steel surfaces at least once a week. When applying stainless steel cleaner or polish to stainless steel hardware, work with (not across) the grain. Never use an abrasive sponge or cloth, steel wool or wired brush as these may permanently scratch the surfaces.

NOTE: To maximize the life of your door, it is important to regularly inspect the glass and all hardware for misalignment, proper attachment, and/or damage. Contact the manufacturer with any questions or concerns.

Maintenance checklist

- Inspect the **Guide rail**
- Inspect the **Guide rail brackets**
- Inspect the **Guide block** - square to the threshold and glass
- Proper clearance** beneath the door glass between the threshold and within the guide blocks
- Door Glass** adjusted so that the glass makes even contact into the **Bumpers**
- Inspect the **Wheel assemblies**
- Inspect the **Roller guards** -positioned within 1/16" beneath the guide rail and tight
- Inspect the **Towel Bars** - tighten if loose
- Inspect the **Bumpers**
- Inspect the **edges of the door glass** for concealed damage
 - o **Damaged glass must be replaced!**

Troubleshooting

Problem/Symptom	Suggested Solution
Missing Parts	<ul style="list-style-type: none"> •Check all shipping/packaging material for missing parts/components. •If not found, contact the manufacturer to order factory part
Top Guide Rail (#01) or Bottom Rail (#21) were cut too short	<ul style="list-style-type: none"> •Contact the manufacturer for factory part replacement.
Leaking around doors	<ul style="list-style-type: none"> •Be sure the Wall Profiles (#19) are plumb and installed correctly, with silicone applied behind each Wall Profile and along the inside edges.
Leaking at bottom of shower	<ul style="list-style-type: none"> •Be sure the Bottom Rail (#21) is completely adhered to the threshold with silicone and was cut to the correct length.
Door Glass (#12/13) not lining up with the Guide Block (#22)	<ul style="list-style-type: none"> •Check the position of the Wall profiles (#19) •Check that the Bottom Rail (#21) is even with the outside edge of the threshold across the entire opening.
Gaps between the Door Glass (#12/13) and the wall.	<ul style="list-style-type: none"> •Check the walls for plumb. •See the Roller Wheel Assembly Adjustment Instructions on Page 20 to help align the Door Glass (#12/13) with both walls.
Doors rubbing on threshold	<ul style="list-style-type: none"> •Check that the threshold is level. •Check that the Top Guide Rail (#01) is installed correctly and is secure. •Check that the Roller Wheels (#04) are tight and secure. •Carefully remove the Door Glass (#12/13) and adjust the Roller Wheels (Page 20)



Prior to contacting the manufacturer, please have the following information readily available:

- Purchase Order Information
- Name, PO Number, Dealer/Vendor Name, etc.
- SKU/Model Number

Factory Parts Information

WIDE PROFILE HIDDEN ROLLER		FACTORY PARTS INFORMATION	
ITEM #	FACTORY PART NUMBER	ITEM DESCRIPTION	QTY
01	042830 X 1-1508	Upper Guide Rail	1
02	0702 X 106	Guide Rail Bracket	2
03	0702 X 107	Stopper	2
04	0735 X 022	Roller	4
05	0722 X 035	Towel Bar	2
13	010300006	Outside Door Glass	1
12	010300005	Inside Door Glass	1
14	0980-21	Allen Key	3
18	07552148	Anchor	5
19	042010 X 1-1524	Wall Profile	2
20	07553210	Bumper	4
21	042000 X 1-1519	Bottom Guide Rail	1
22	0755 X 067	Guide Block	1
23	091107	ST4.0x40 Phillips Pan Head Screw	4
24	091103	ST4.0x20 Phillips Pan Head Screw	1

BOLD digit indicates finish color:

1 or 8 = Polished SS

4 or 5 or 7 = Brushed SS

6 = Oil Rubbed Bronze

9 = Matte Black

Contact the manufacturer for Part replacement, installation assistance or additional information.

NOTES

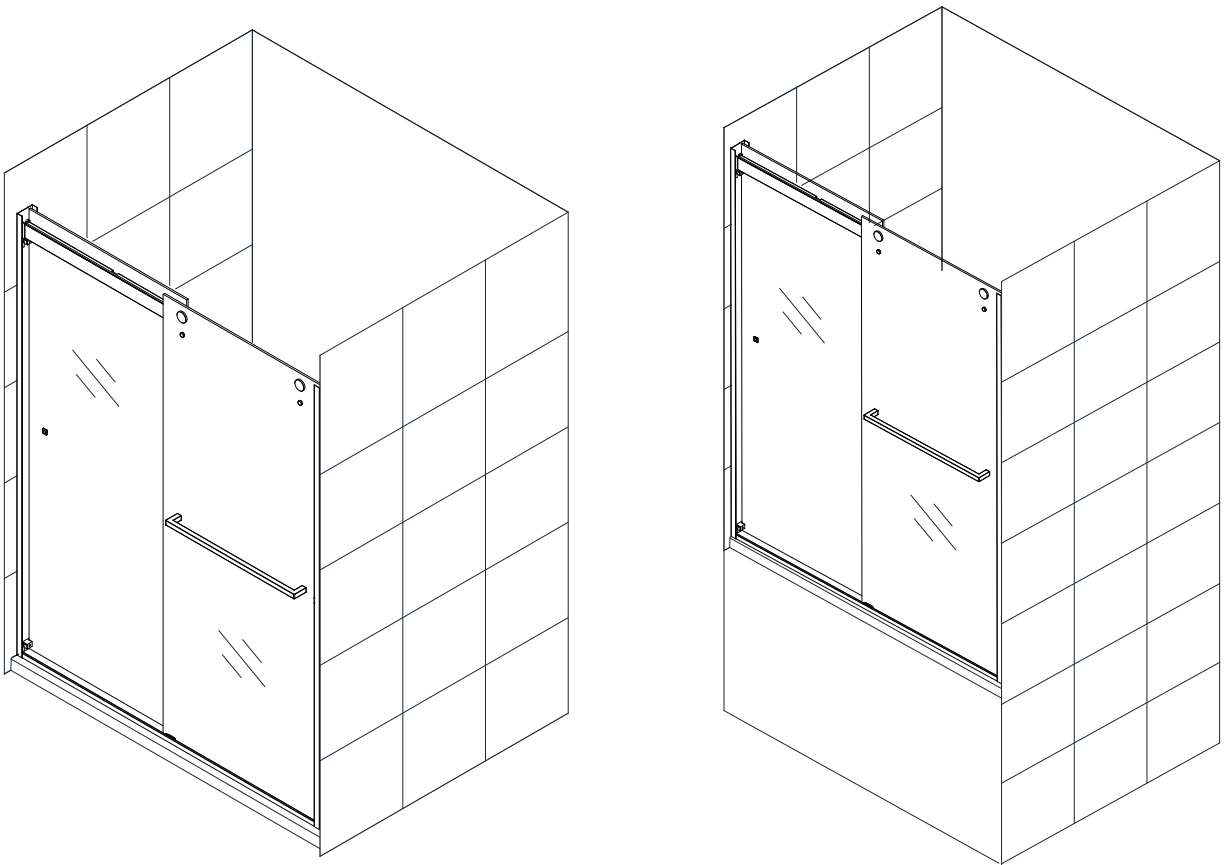
NOTES

NOTES

WIDE PROFILE HIDDEN ROLLER BYPASS

SHOWER AND TUB DOOR INSTALLATION INSTRUCTIONS

PLEASE REVIEW THIS ENTIRE MANUAL PRIOR TO INSTALLATION



IMPORTANT!

The manufacturer reserves the right to alter, modify or redesign products at any time without prior notice for the purpose of product improvement and customer experience. Please refer to the manufacturer's web page for the latest technical drawings, installation manuals, warranty information or additional product details.