

evekare™

GRAB BAR WITH TOILET PAPER HOLDER 12 INCHES

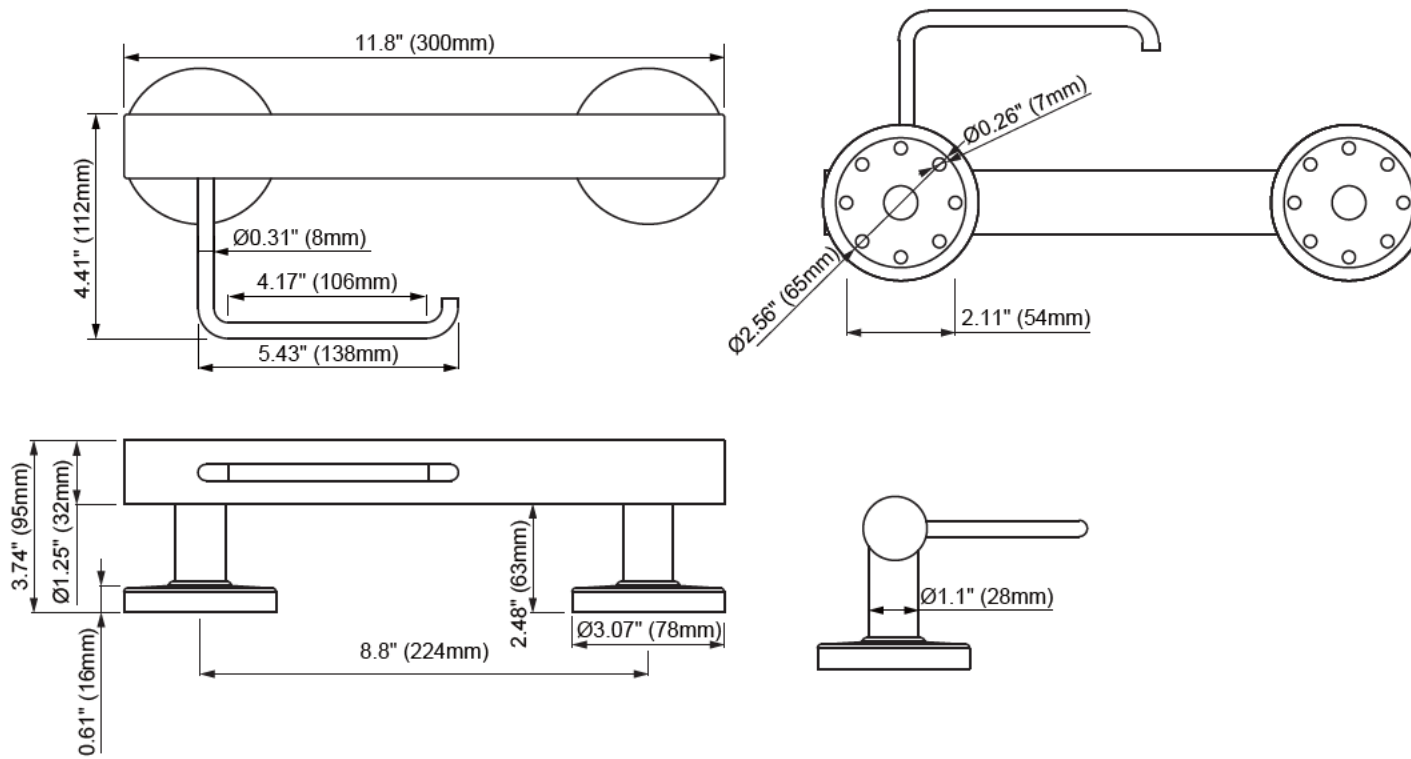
Matte black finish

Item No: EVK-1039-ICU

- Suitable for independent living and aged care
- High quality 304 grade stainless steel construction
- Supports up to 550 lbs
- 1.25 inches in diameter
- Mounting hardware included



Limited
LIFETIME
WARRANTY



Dimensions in millimetres (mm) and subject to manufacturing tolerances