

Vendor Part #: 1BP1S326OSOWHUH

Floor & Decor Sku: 10106442

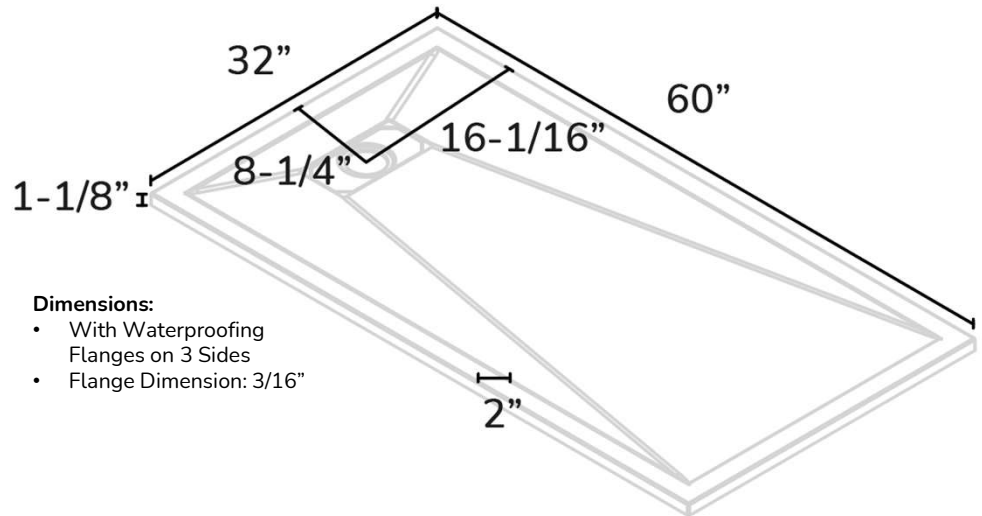
Sku Description: 32X60 L/R WHT SAND PWDR DRN



**32" x 60" x 1-1/8"**

WITH MATCHING POWDER-COATED DRAIN PLATE

INSTALL LEFT OR RIGHT



- Dimensions:**
- With Waterproofing Flanges on 3 Sides
  - Flange Dimension: 3/16"

**PRODUCT DESCRIPTION**

- Made of patented solid composite blend of minerals, manufactured in Texas
- Anti-slip texture replicates overall look and feel of natural textures while meeting safety regulations
- Left or right drain shower tile installation
- Lighter than traditional composite stone pieces
- Trimmable up to 1-1/2" on each side
- Finished on all 4 edges

**AVAILABLE SLIPRESISTANT FINISHES**



WHITE SAND

**GENERAL TECHNICAL SPECS**

**NOMINAL DIMENSIONS**

32" X 60" X 1 1/8  
81.28 cm X 152.4 cm X 2.85 cm

**NET WEIGHT**

71.21 lbs  
32.3 kg

**RAW MATERIAL**

Solid composite blend of minerals

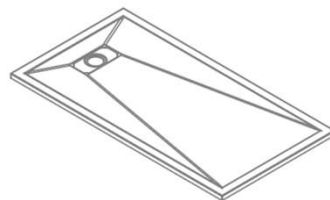
**COMPATIBLE WITH 2" SHOWER DRAIN SYSTEM**

Shower drain sold separately\*

**INSTALL OPTIONS**

- On leveled floor
- 1 1/8 threshold over floor
- Installed with thinset or heavy-duty construction adhesive

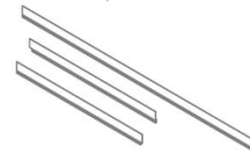
INSIDE THE BOX



SOLID COMPOSITE STONE Shower Pan Base



Matching Powder Coated Drain Plate



Waterproof Flange Kit

FEATURES

MADE OF SOLID COMPOSITE STONE	NOISE BLOCKING SOLID CORE	LOW STEP-IN ACCESS & SLIP RESISTANT	TIME SAVING INSTALLATION	ADJUSTABLE & EASY TO CUT	DESIGNED PRE-SLOPED DRAIN	QUICK & EASY MAINTENANCE	INSTALL WITH 2" DRAIN SYSTEM <small>*Sold separately in store</small>
-------------------------------	---------------------------	-------------------------------------	--------------------------	--------------------------	---------------------------	--------------------------	--

\* All items are subject to change without notice. \* All content is considered confidential for all parties.