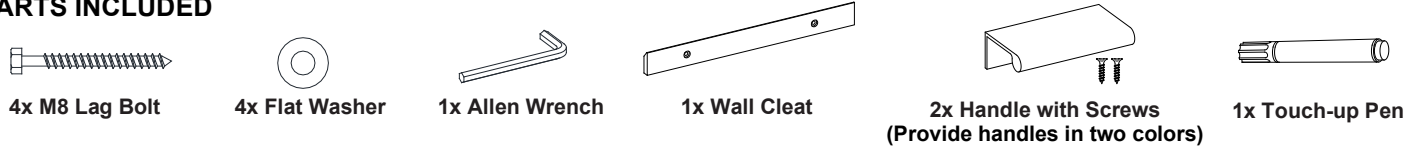


SUGGESTED TOOLS AND MATERIALS

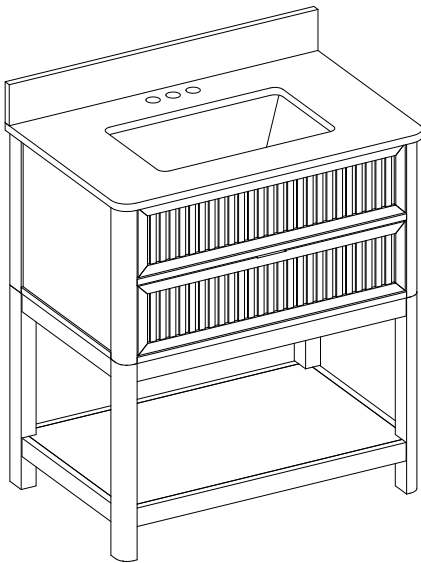


PARTS INCLUDED



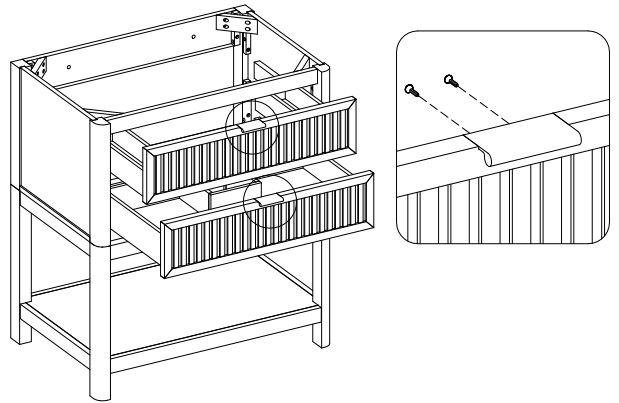
INSTALLATION INSTRUCTIONS

1



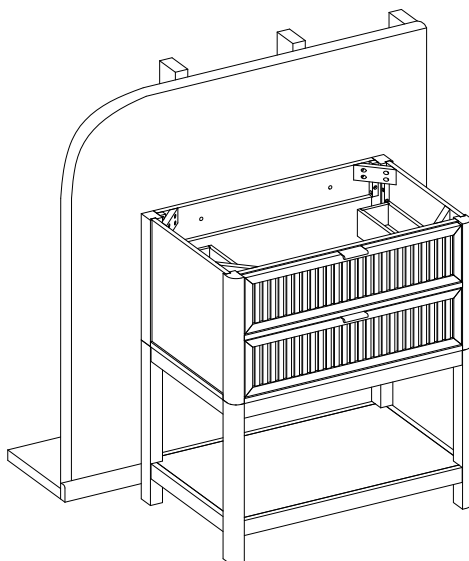
Remove vanity from box and examine for any defects or damage.

2



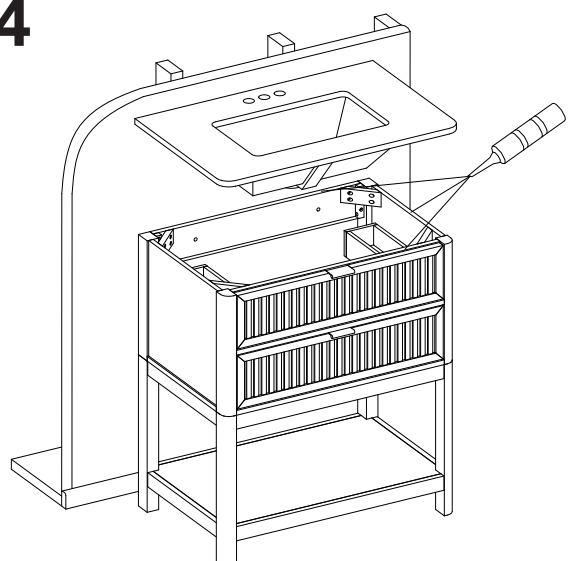
The product offers two color options for the handle. Please select the pull handle you prefer for installation.

3



Carefully place vanity against wall.

4



Apply a thin bead of neutral cure silicone sealant (not included) to the top of the vanity base. Align the back of the vanity base and put the vanity top on the vanity base.

SUGGESTED TOOLS AND MATERIALS



Level



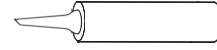
Drill



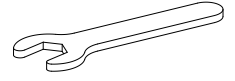
Tape Measure



Safety Glasses



Neutral Cure Silicone Sealant



Open Wrench

PARTS INCLUDED



4x M8 Lag Bolt



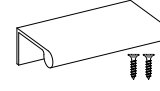
4x Flat Washer



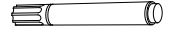
1x Allen Wrench



1x Wall Cleat



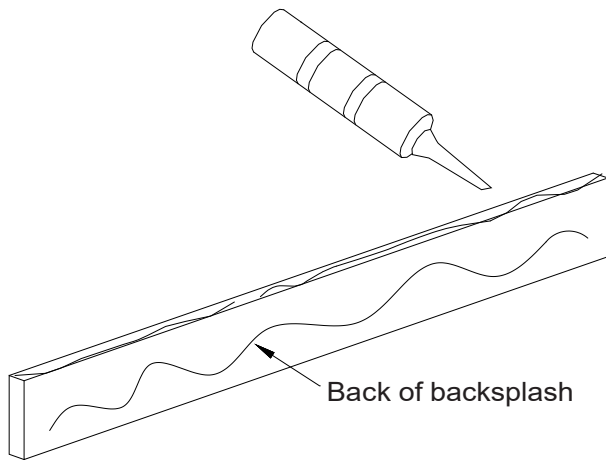
2x Handle with Screws
(Provide handles in two colors)



1x Touch-up Pen

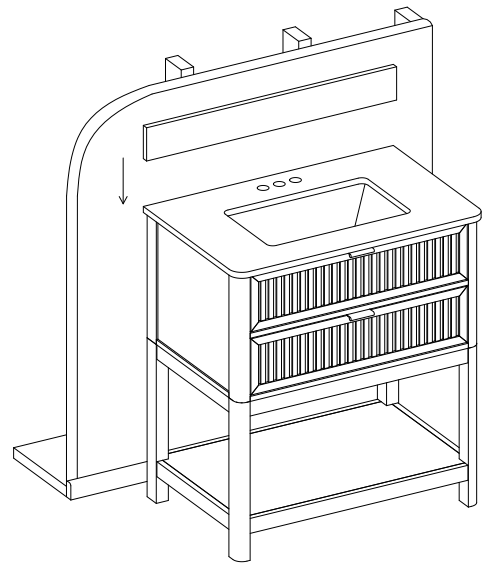
INSTALLATION INSTRUCTIONS

5



Apply a few thin beads of neutral cure silicone sealant (not included) to unpolished back and bottom edge of backsplash. Make sure all surfaces are dry.

6



Set unpolished bottom edge of backsplash with neutral cure silicone sealant bead on vanity top and press gently against wall and down on vanity top.

SUGGESTED TOOLS AND MATERIALS



Level



Drill



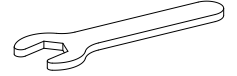
Tape Measure



Safety Glasses



Neutral Cure Silicone Sealant



Open Wrench

PARTS INCLUDED



4x M8 Lag Bolt



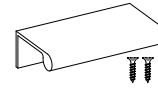
4x Flat Washer



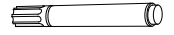
1x Allen Wrench



1x Wall Cleat



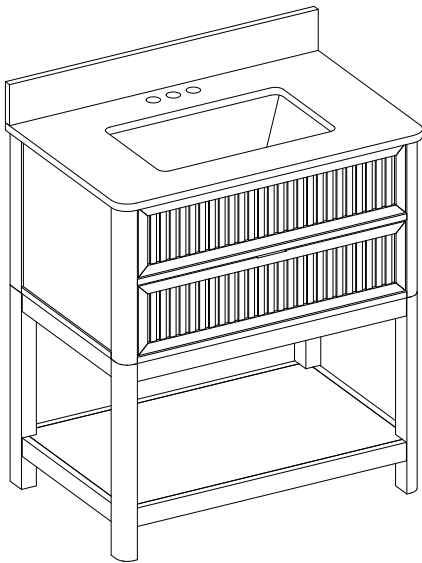
2x Handle with Screws
 (Provide handles in two colors)



1x Touch-up Pen

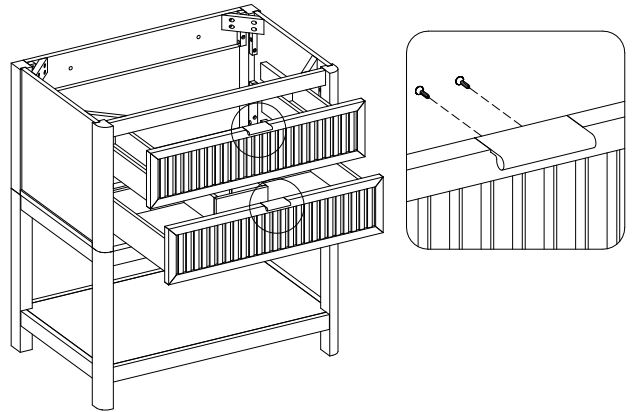
INSTALLATION INSTRUCTIONS

1



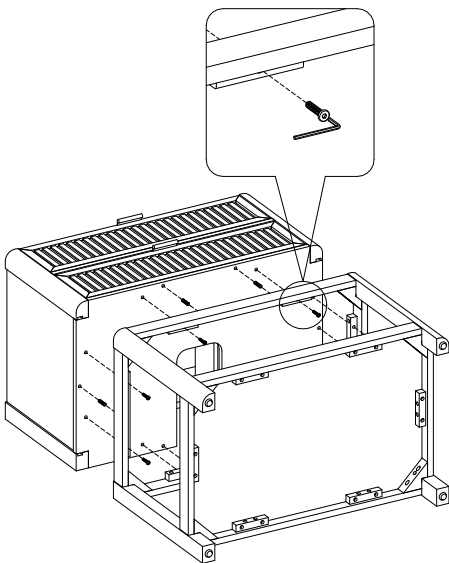
Remove vanity from box and examine for any defects or damage.

2



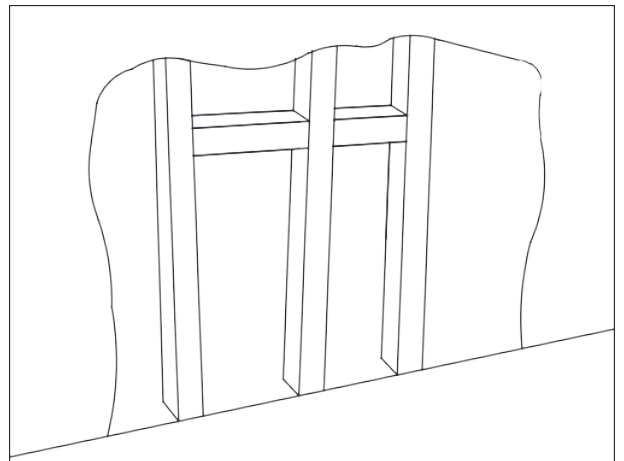
The product offers two color options for the handle. Please select the pull handle you prefer for installation.

3



Place the vanity back down on a clean and soft surface to prevent any damage. Remove the base by removing eight bolts with an allen wrench. Remove the wood dowels.

4



Using a stud finder, locate and mark the wall studs in the area where you plan to install the vanity. These studs provide the strongest support for your floating vanity and are a crucial part of their overall strength and support.

SUGGESTED TOOLS AND MATERIALS



Level



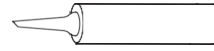
Drill



Tape Measure



Safety Glasses



Neutral Cure Silicone Sealant



Open Wrench

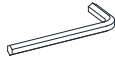
PARTS INCLUDED



4x M8 Lag Bolt



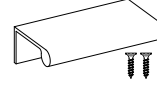
4x Flat Washer



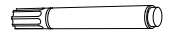
1x Allen Wrench



1x Wall Cleat



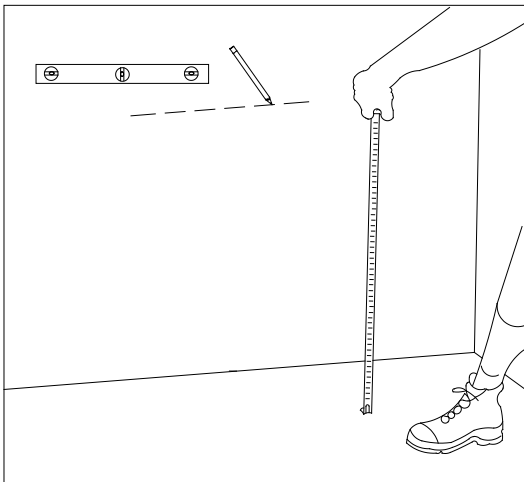
2x Handle with Screws
(Provide handles in two colors)



1x Touch-up Pen

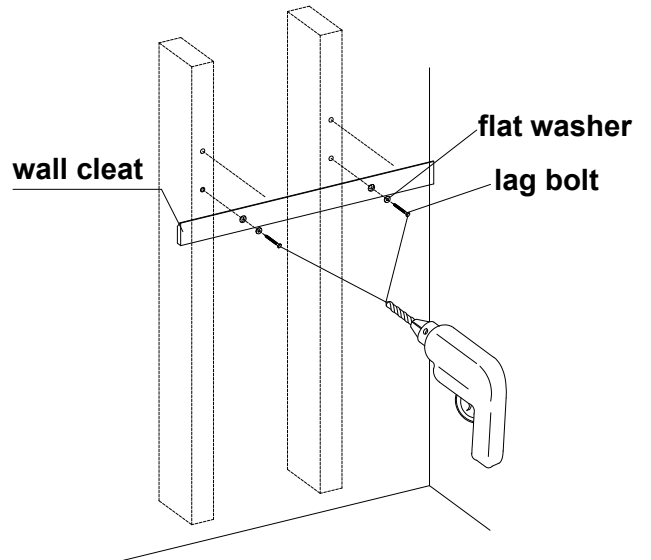
INSTALLATION INSTRUCTIONS

5



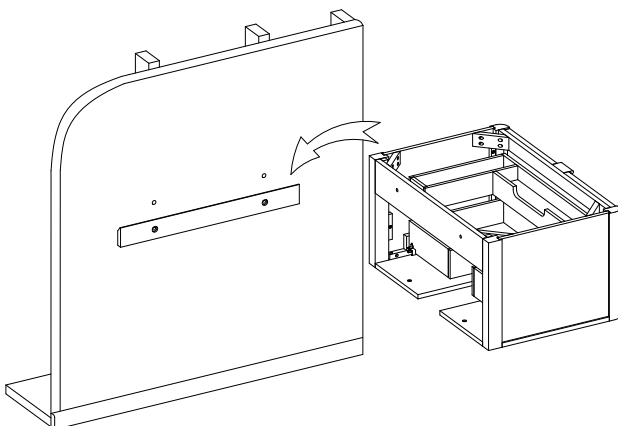
Measure and mark the desired height for the top of the countertop on the wall. Use a level to ensure the markings are straight and even.

6



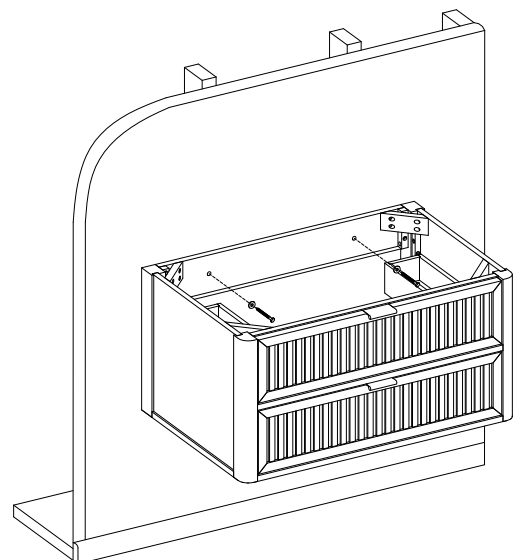
Align the wall cleat with the marked studs and height line. Use a level to ensure the wall cleat is straight, then drill pilot holes and attach it to the wall with the provided lag bolts and flat washers.

7



Carefully lift the vanity and slide it onto the wall cleat.

8



As shown, attach vanity to the wall with the provided lag bolts and flat washers.

SUGGESTED TOOLS AND MATERIALS



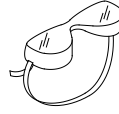
Level



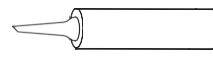
Drill



Tape Measure



Safety Glasses



Neutral Cure Silicone Sealant



Open Wrench

PARTS INCLUDED



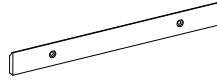
4x M8 Lag Bolt



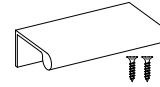
4x Flat Washer



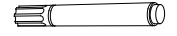
1x Allen Wrench



1x Wall Cleat



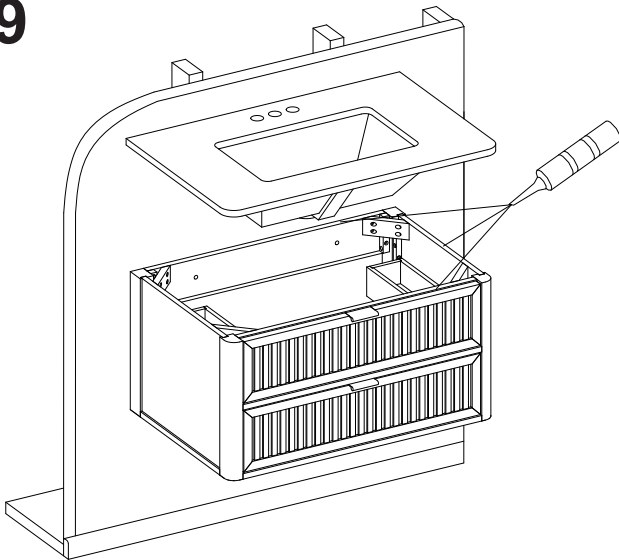
2x Handle with Screws
(Provide handles in two colors)



1x Touch-up Pen

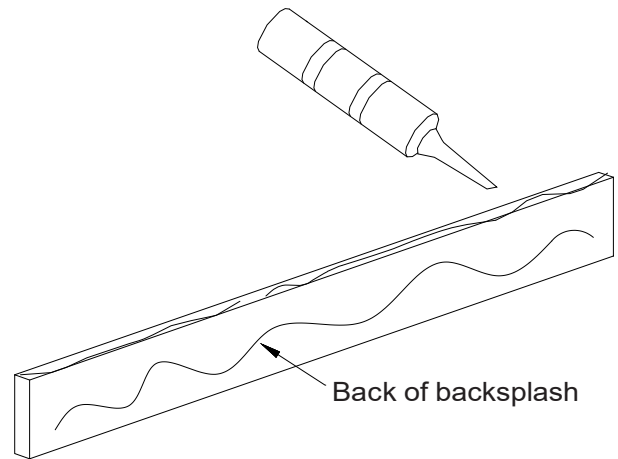
INSTALLATION INSTRUCTIONS

9



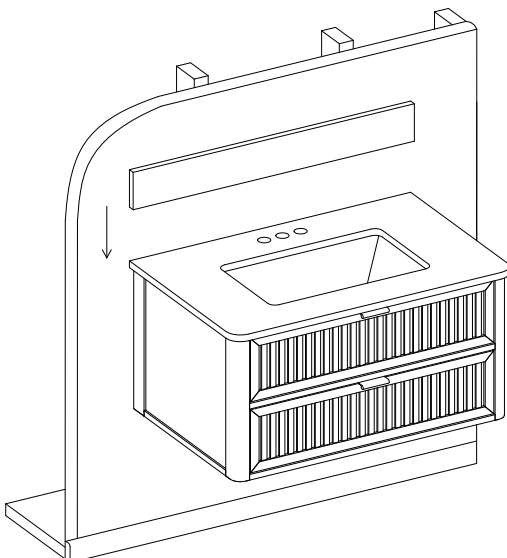
Apply a thin bead of neutral cure silicone sealant (not included) to the top of the vanity base. Align the back of the vanity base and put the vanity top on the vanity base.

10



Apply a few thin beads of neutral cure silicone sealant (not included) to unpolished back and bottom edge of backsplash. Make sure all surfaces are dry.

11



Set unpolished bottom edge of backsplash with neutral cure silicone sealant bead on vanity top and press gently against wall and down on vanity top.



ONE-YEAR LIMITED WARRANTY

WHAT IS COVERED

Studio Design products are manufactured with superior quality standards and workmanship and are backed by our one-year limited warranty. Studio Design products are warranted to the original consumer purchaser to be free of defects in materials or workmanship. We will replace **FREE OF CHARGE** any product or parts that proves defective. Please call 877-675-0002 to report your damages / defects, a customer care representative will assist you with any replacement parts, or direct you to any Floor Décor retail stores for a full replacement. Proof of purchase (original sales receipt) from the original consumer purchaser must be made available for all Studio Design warranty claims.

WHAT IS NOT COVERED

This warranty excludes incidental/inconsequential damages and failures due to misuse, abuse or normal wear and tear. This warranty excludes all industrial, commercial & business usage. Some states and provinces do not allow the exclusion or limitation of incidental or consequential damages, so the above limitations may not apply to you.

NOTE

STONE CHARACTERISTICS: Natural stone exhibits color variations. It is possible that new and/ or replacement pieces may not match existing pieces. Natural variations in color, grain, and veining are not considered defective and are excluded from the warranty. Avanity applies a light sealer to our stone tops but this does not guarantee impermeability. Avanity recommends the consumer clean all spills immediately.

FINISH AND WOOD CHARACTERISTICS: Sustained exposure to light causes changes to the color of natural wood and finishes. For this reason replacement pieces and parts may not have the exact color of existing pieces and are not considered defective. Exposure to extreme changes in temperature and/or humidity can cause wood to warp and is not covered by the warranty. Small imperfections such as shallow surface splits and pockets are naturally occurring and not considered defective.

All warranty claims must include photographic evidence and a detailed description of the claim.

CARE AND CLEANING

- Dust frequently with a clean, soft and dry cloth.
- Wipe away any water or liquid spills on the vanity combo immediately with a clean soft and dry cloth.
- Clean the vanity top only with non-abrasive cleaners or mild detergents – do not use powder cleansers. For extremely stubborn stains, use a small amount of acetone on a cloth and gently rub out the stain.