

## Tano Tub/Shower Faucet Set

### Features

- Includes a valve plug so fixture can be used in shower only applications.
- Ceramic disc cartridge
- Metal lever handle
- 1.75 gpm (6.6 L/min) max. @ 80 psi for shower

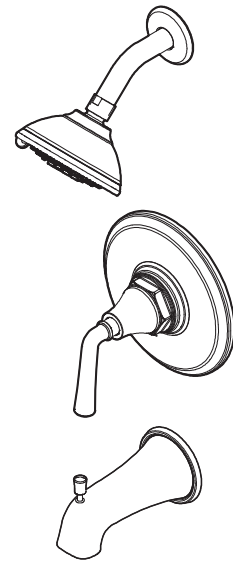
ITEM#	MODEL#	Finish
101372738	RF12A0002CZ	Brushed Gold Finish
101372720	RF12A0002BL	Matte Black Finish

### Approvals



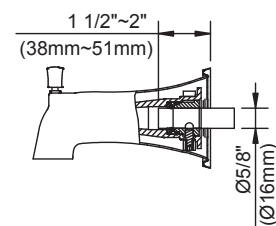
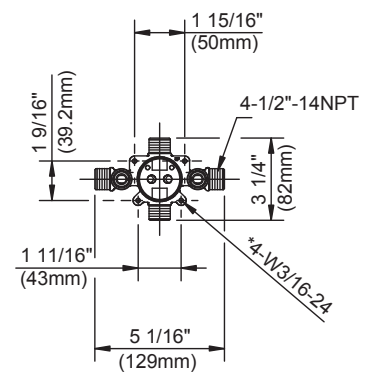
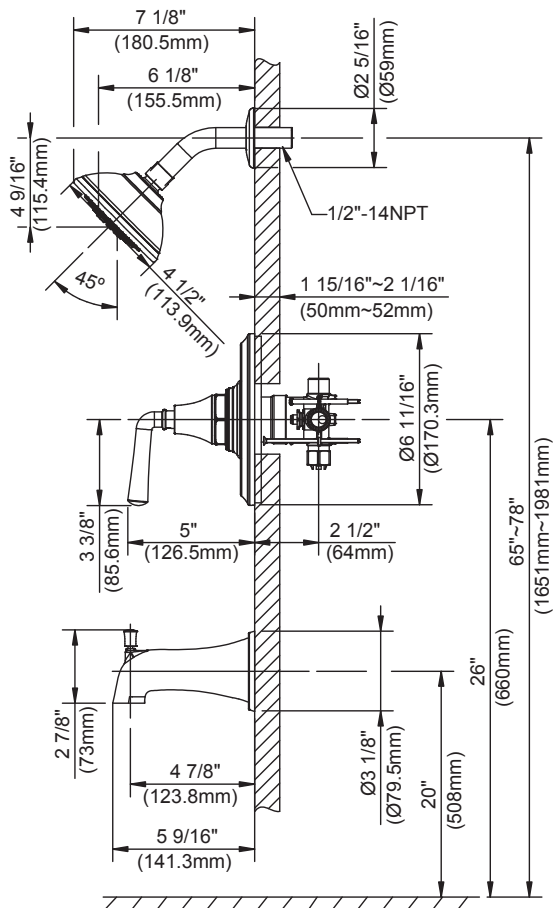
### Warranty

Limited Lifetime Warranty



### Product Diagrams

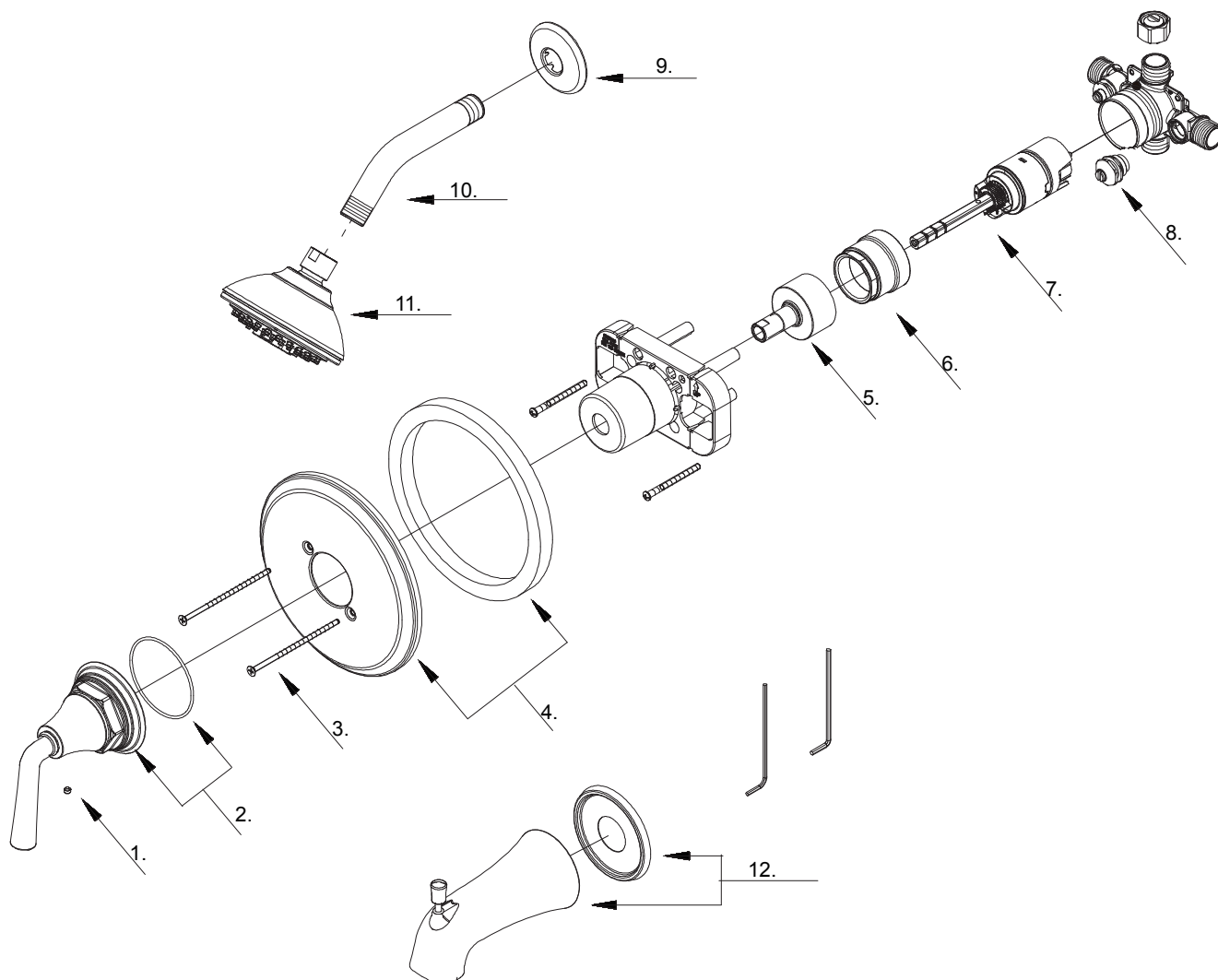
#### Side



# Tano Tub/Shower Faucet Set



## Replacement Parts List



Part	Part #	Description
1	A008723	Screw
2	A66E870	Metal Handle Assembly
3	A608550	Screw Set (3/16" -24 * 3-9/16" L)
4	A663950-51	Escutcheon Assembly
5	A009286	Base Nut
6	A103310-Z	Retainer Nut
7	A507193	Ceramic Disc Cartridge
8	A507040	Compression Stopper
9	A019001-S	Shower Arm Escutcheon
10	A020002-S	Shower Arm
11	S1254H05	Shower Head 1.75 gpm
12	A666A16	Tub Spout with Diverter