

# Duke Tub Shower Faucet Set



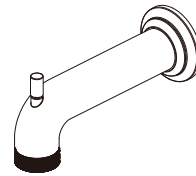
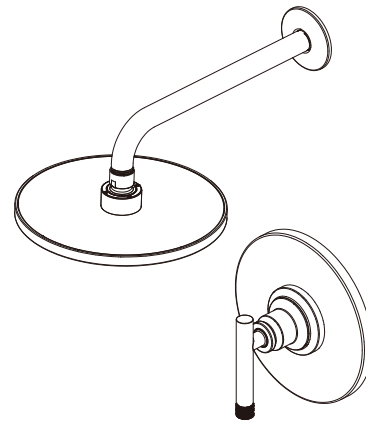
## Features

- Slip Fit Tub Spout
- Ceramic disc cartridge
- Metal lever handle
- 1.75 gpm (6.6 L/min) max. @ 80 psi for shower
- Rough in valve is included

## MODEL#      Finish

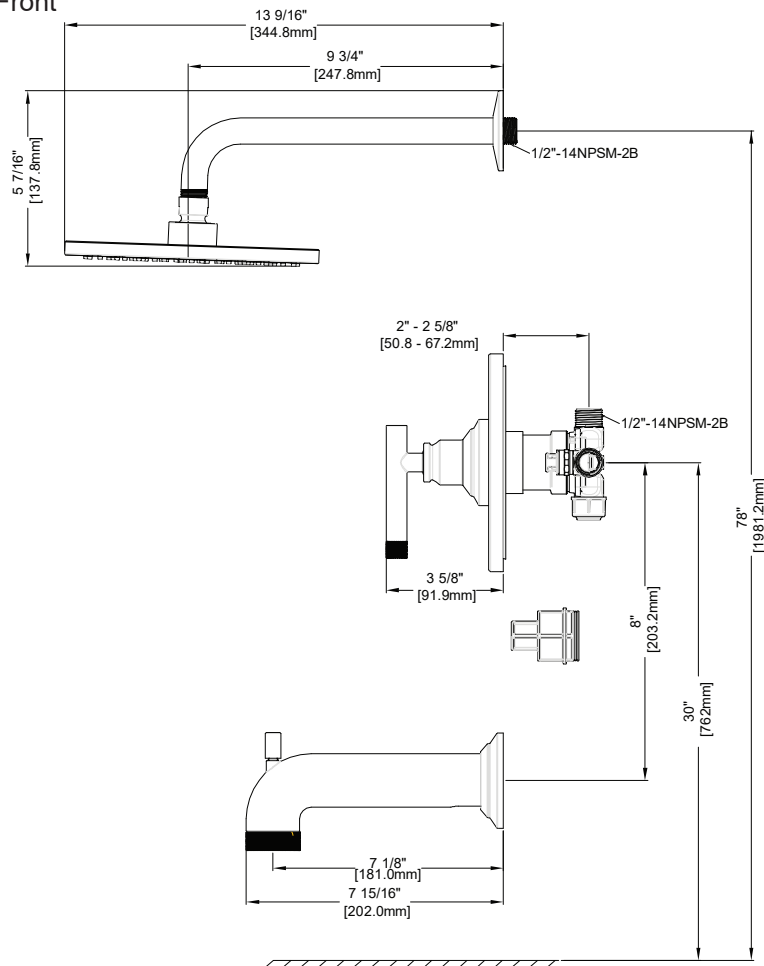
101383214	Matte Black /Brushed Gold
101379832	Matte Black /Brushed Nickel

## Approvals

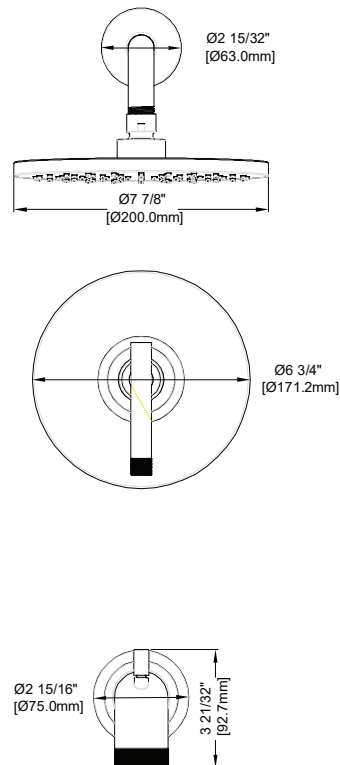


## Product Diagrams

Front



Side

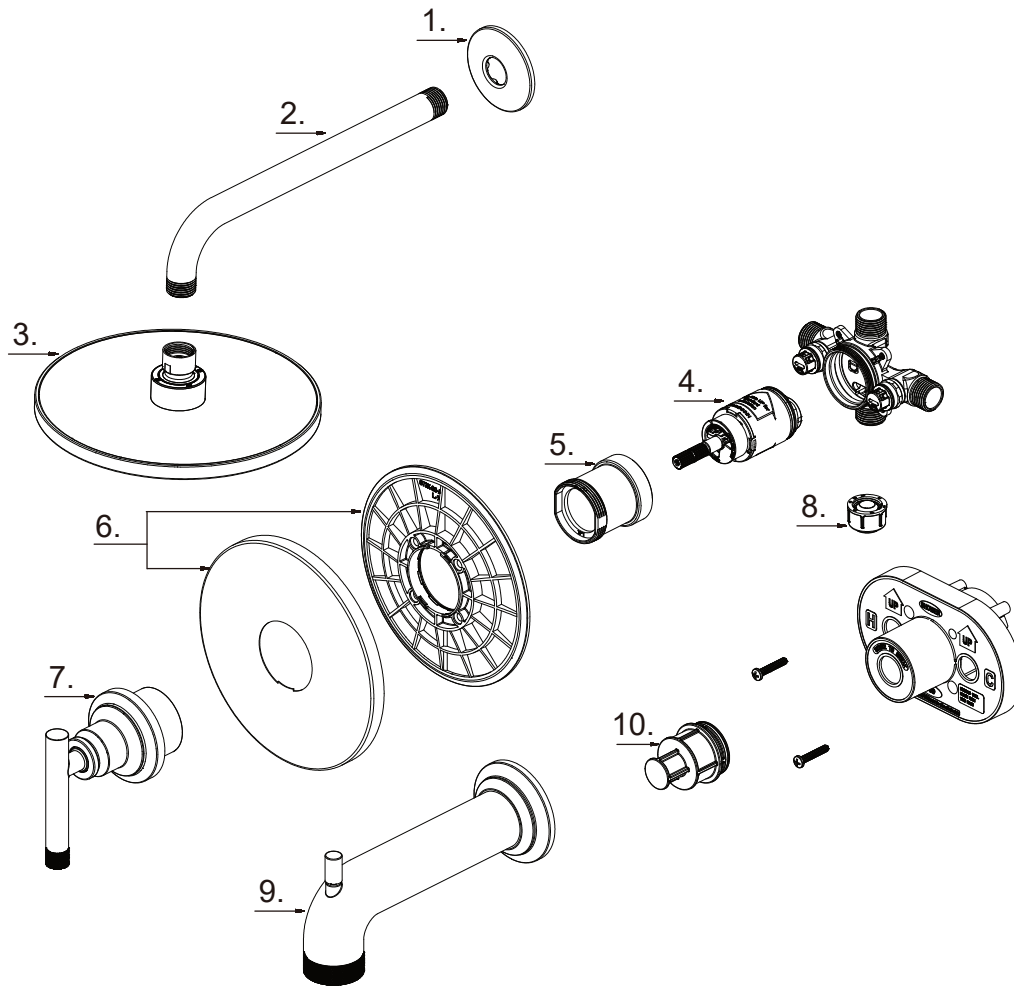


Please call our toll-free Technical Support line at 877-580-5682 for additional assistance or missing parts.

# Duke Tub Shower Faucet Set



## Replacement Parts List



Part	Part #	Description	* Represent for
1	RP380467001	Shower flange	
2	RP386437001	Shower arm	
3	RP386447001	Spray head	
4	RP20124	Ceramic Disc Cartridge	
5	RP7072601	Retainer Nut	
6	RP808757001	Escutcheon	
7	RP13941*	Handle assembly	9068:MB+BG / 85:MB+BN
8	RP70770	Plug	
9	RP33134*	Tub spout	9068:MB+BG / 85:MB+BN
10	RP70906	Test cap	