

Duke Single Handle Faucet

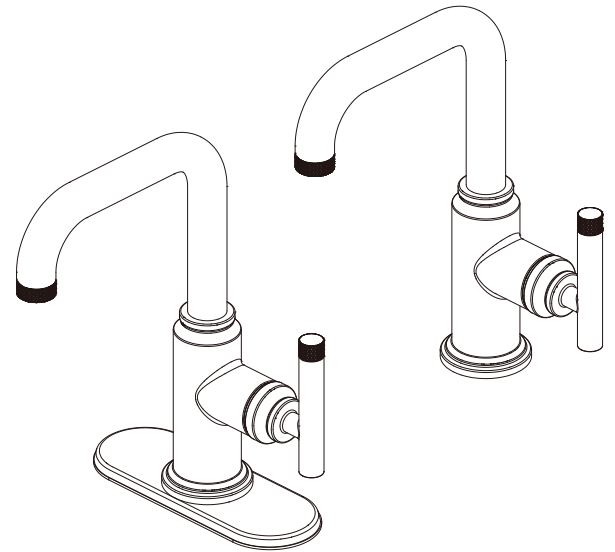


Features

- Fits 1 or 3 hole sinks
- Push pop-up drain assembly
- Ceramic disc cartridge
- Metal lever handle
- 1.2 gpm (4.5 L/min) max

MODEL# Finish

101383222	Matte Black/Brushed Gold
101382992	Matte Black/Brushed Nickel

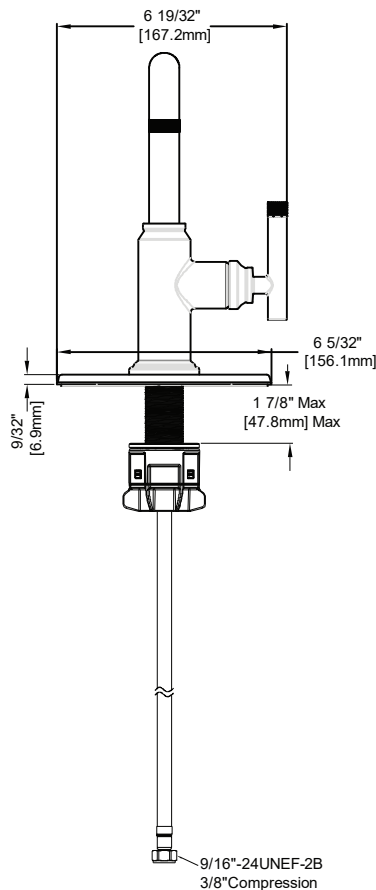


Approvals

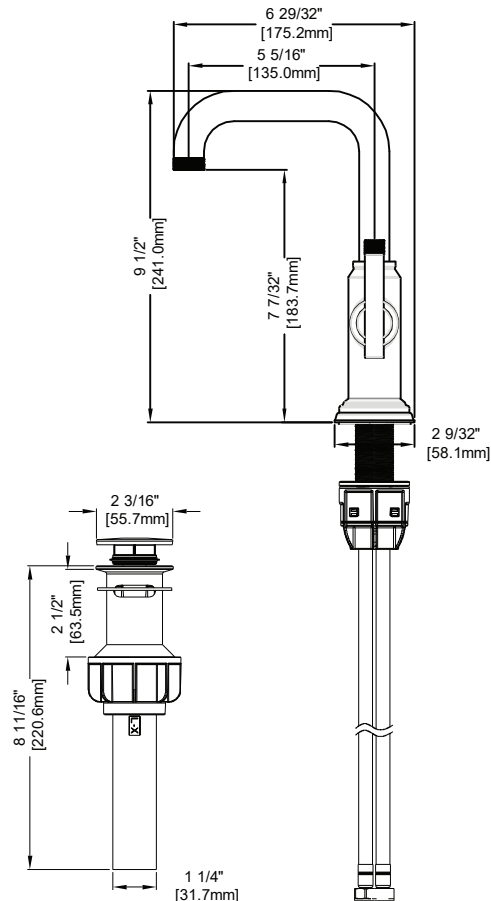


Product Diagrams

Front



Side

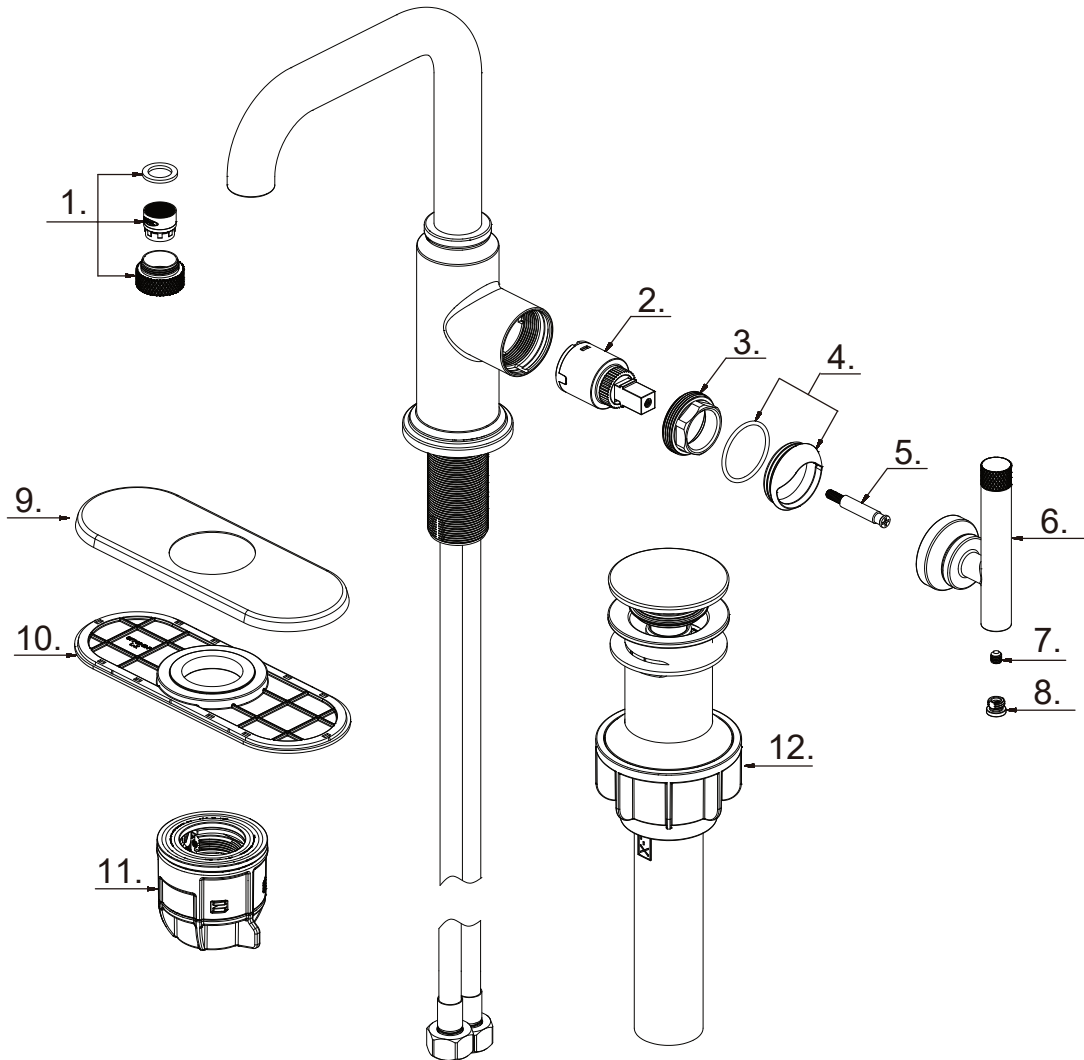


Please call our toll-free Technical Support line at 877-580-5682 for additional assistance or missing parts.

Duke Single Handle Faucet



Replacement Parts List



Part	Part #	Description	* Represent for
1	RP30324*	Aerator 1.2 gpm	4408:BG / 04:BN
2	RP20090	Ceramic Disc Cartridge	
3	RP70807	Retainer Nut	
4	RP808037001	Cap & O-Ring	
5	RP70959	Connector	
6	RP14017*	Handle	9068:MB+BG / 85:MB+BN
7	RP50002	Set Screw	
8	RP805467001	Accessorize cap	
9	RP806127001	Deckplate	
10	RP80768	Gasket	
11	RP70893	Quick Install Nut	
12	RP402697001	Pop-Up Assembly	