

# HERA Single Handle Pull-down Kitchen Faucet



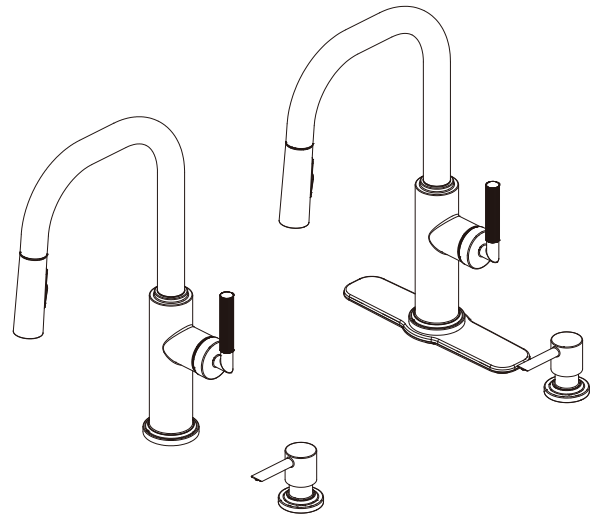
## Features

- Fits 4 hole sinks
- ABS burst spray head
- Ceramic disc cartridge
- Metal lever handle
- 1.75 gpm (6.6 L/min) max
- Optional metal deckplate
- Top mount installation
- With plastic soap dispenser

## MODEL# Finish

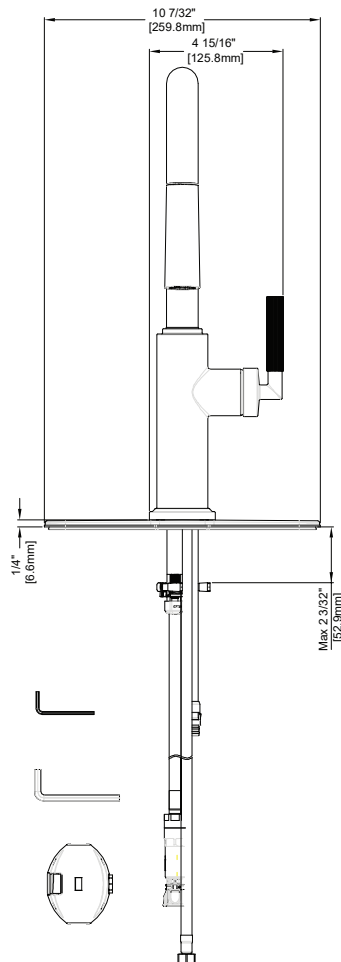
101442895	Brushed Nickel
101442788	Brushed Gold
101442796	Matte Black

## Approvals

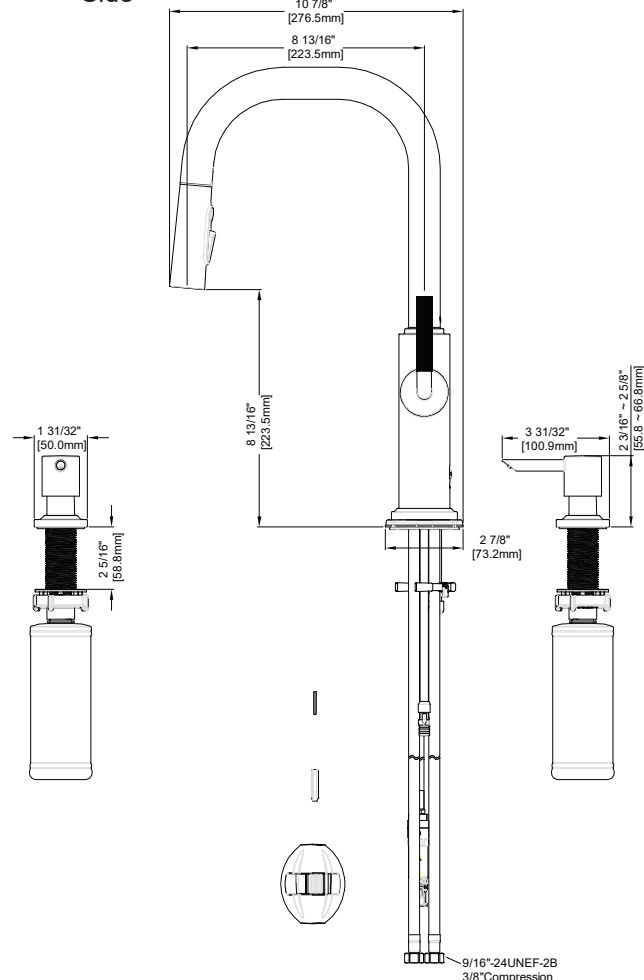


## Product Diagrams

Front



Side

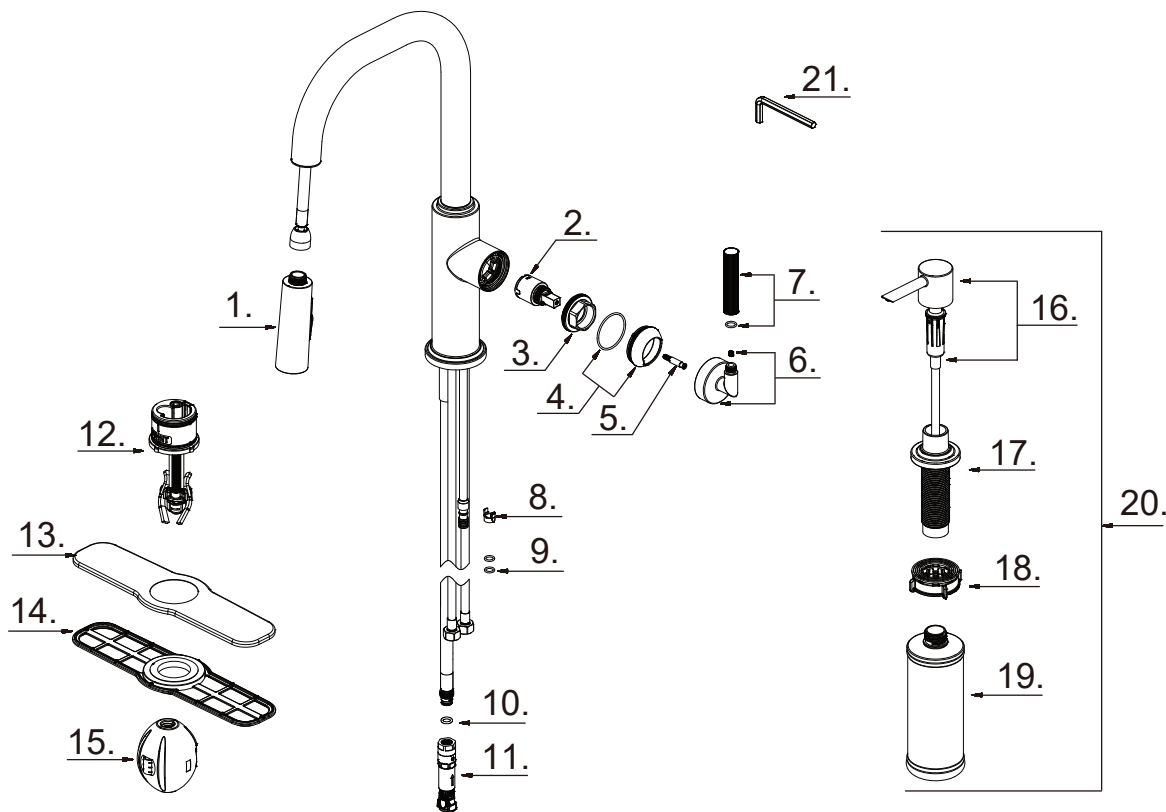


Please call our toll-free Technical Support line at 877-580-5682 for additional assistance or missing parts.

# HERA Single Handle Pull-down Kitchen Faucet



## Replacement Parts List



Part	Part #	Description
1	RP38689*	Spray Head
2	RP20090	Cartridge
3	RP70876	Retainer Nut
4	RP80786*	Cap & O-Ring
5	RP70898	Connector
6	RP14027*	Handle
7	RP14026*	Handle
8	RP70421	Block
9	RP60002	O-Ring
10	RP60089	O-Ring
11	RP70973	Quick Connect Assembly
12	RP70877*	Top mount install
13	RP80924*	Deckplate
14	RP80925	Gasket
15	RP70874	Weight
16	RP46126*	Pump Kit
17	RP46134*	Flange Kit
18	RP56158	Soap Dispenser Quick Install Nut
19	RP46099	Soap Bottle
20	RP46135*	Soap Dispenser Kit
21	RP70878	6.0 mm hex wrench

\* Represent for 0802:SS / 4408:BG / 7001:MB