

ADONIS Single Handle Pull-down Kitchen Faucet

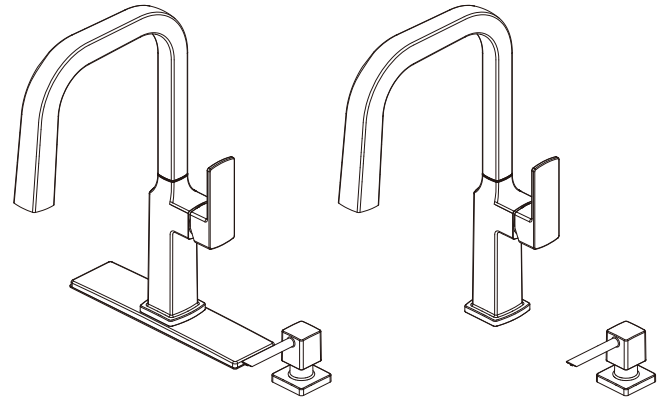


Features

- Fits 4 hole sinks
- ABS burst spray head
- Ceramic disc cartridge
- Metal lever handle
- 1.75 gpm (6.6 L/min) max
- Optional metal deckplate
- Undermount quick install nut
- With plastic soap dispenser

MODEL# Finish

101442861	Chrome
101442853	Matte Black



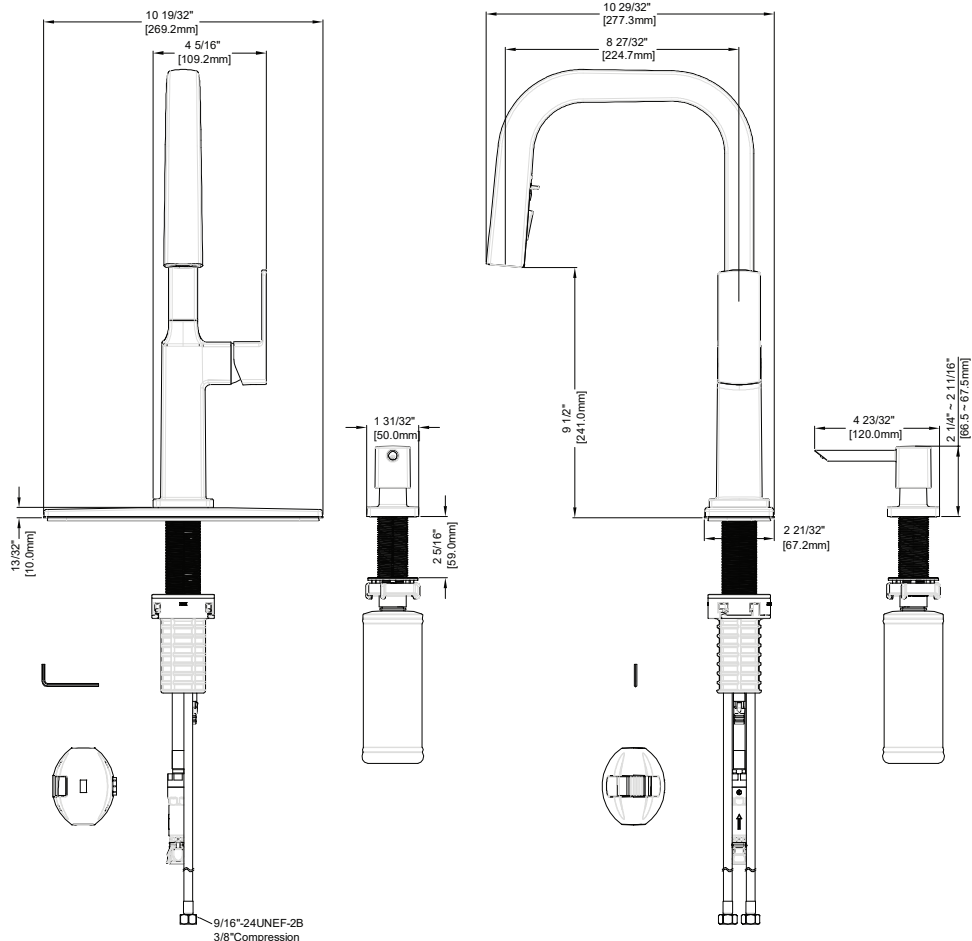
Approvals



Product Diagrams

Front

Side

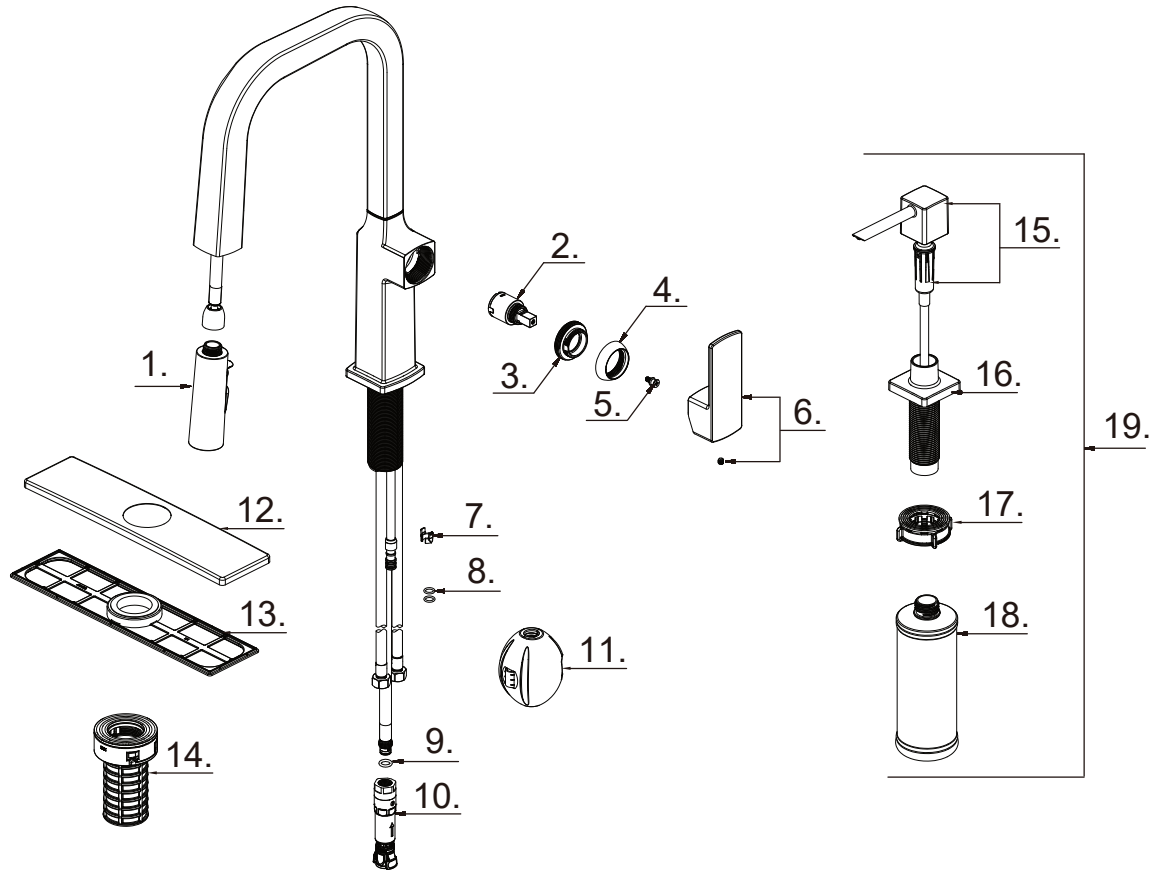


Please call our toll-free Technical Support line at 877-580-5682 for additional assistance or missing parts.

ADONIS Single Handle Pull-down Kitchen Faucet



Replacement Parts List



Part	Part #	Description
1	RP38688*	Spray Head
2	RP20090	Cartridge
3	RP70966	Retainer Nut
4	RP80921*	Cap
5	RP70844	Connector
6	RP14022*	Handle
7	RP70421	Block
8	RP60002	O-Ring
9	RP60089	O-Ring
10	RP70973	Quick Connect Assembly
11	RP70919	Weight
12	RP80922*	Deckplate
13	RP80923	Gasket
14	RP56096	Easy Install Nut
15	RP46131*	Pump Kit
16	RP46132*	Flange Kit
17	RP56158	Soap Dispenser Quick Install Nut
18	RP46099	Soap Bottle
19	RP46133*	Soap Dispenser Kit

* Represent for 01:CP /7001:MB