

IRIS Touchless Single Handle Pull-down Kitchen Faucet



Features

- Fits 4 hole sinks
- ABS burst spray head
- Ceramic disc cartridge
- Metal lever handle
- 1.75 gpm (6.6 L/min) max
- Optional metal deckplate
- Touchless or manual operation
- Undermount quick install nut
- With plastic soap dispenser (Metal head)

MODEL# Finish

101442911	Brushed Nickel
101442929	Matte Black

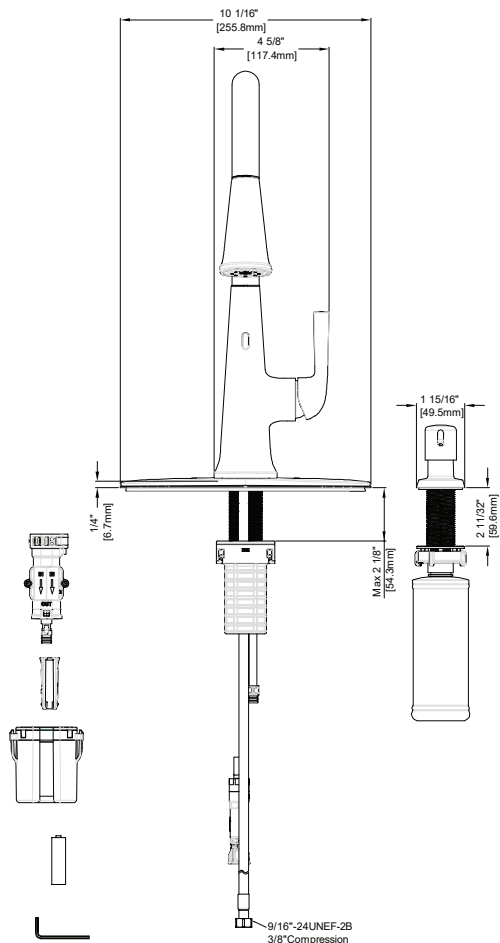


Approvals

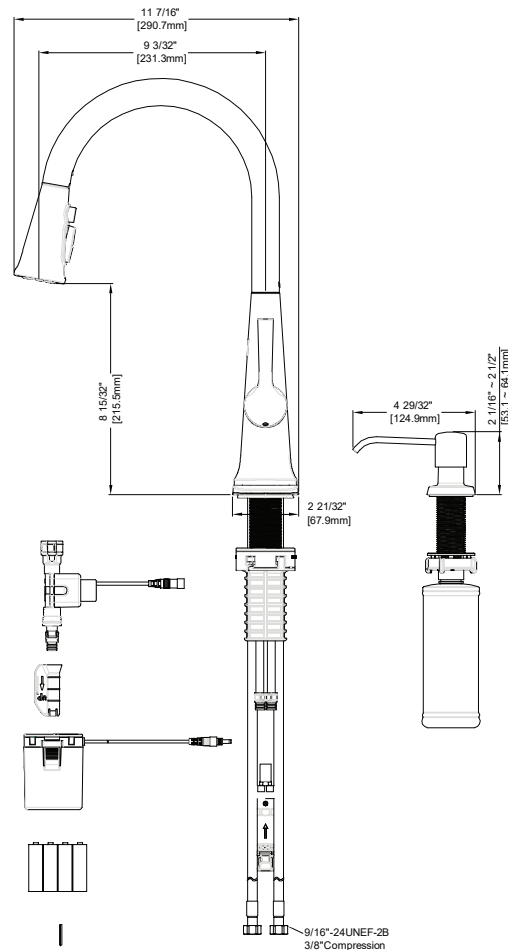


Product Diagrams

Front



Side

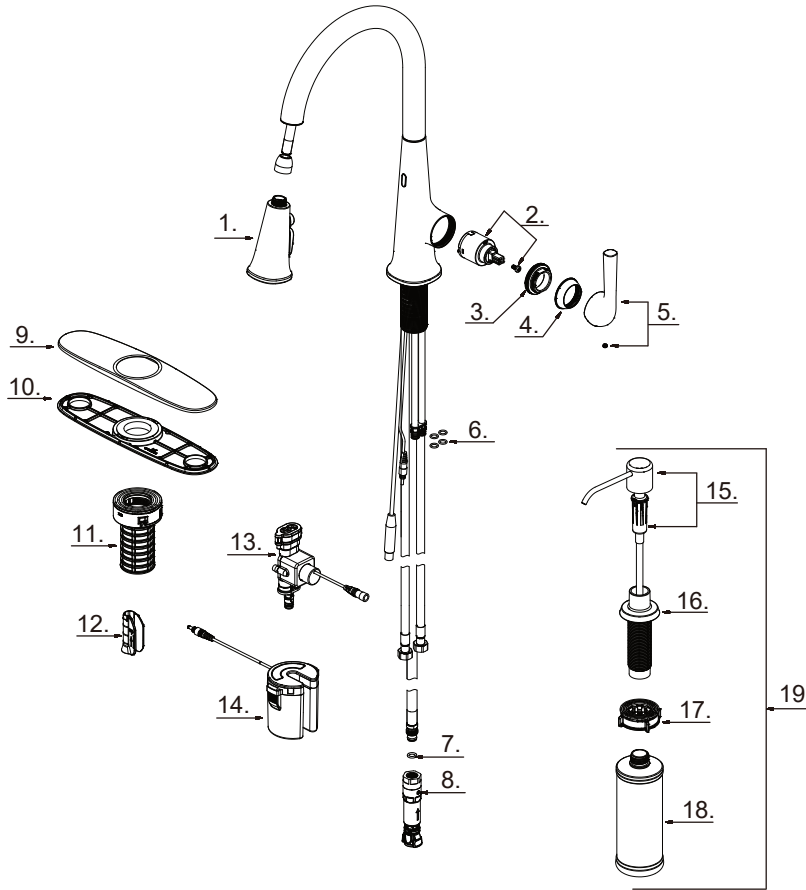


Please call our toll-free Technical Support line at 877-580-5682 for additional assistance or missing parts.

IRIS Touchless Single Handle Pull-down Kitchen Faucet



Replacement Parts List



Part	Part #	Description
1	RP38691*	Spray Head
2	RP20156	Cartridge
3	RP70968	Retainer Nut
4	RP80918*	Cap
5	RP14025*	Handle
6	RP60002	O-Ring
7	RP60089	O-Ring
8	RP70974	Quick Connect Assembly
9	RP80782*	Deckplate
10	RP80744	Gasket
11	RP56096	Quick Install Nut
12	RP70961	Weight Clip
13	RP70969	Sensor Control Box
14	RP70907	Battery Pack
15	RP46138*	Pump Kit
16	RP46129*	Flange Kit
17	RP56158	Soap Dispenser Quick Install Nut
18	RP46099	Soap Bottle
19	RP46139*	Soap Dispenser Kit

* Represent for 0802:SS /7001:MB