

LEO Single Handle Pull-down Kitchen Faucet

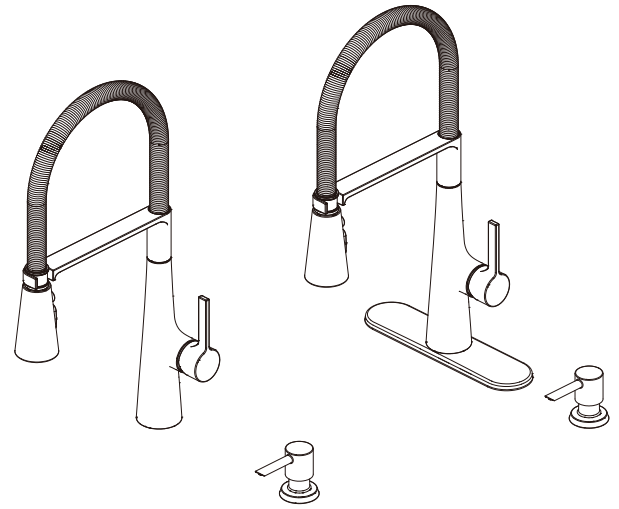


Features

- Fits 4 hole sinks
- ABS burst spray head
- Ceramic disc cartridge
- Metal lever handle
- 1.75 gpm (6.6 L/min) max
- Stainless Steel Spring / Hose / Deckplate
- Top mount installation

MODEL# Finish

101445278	Brushed Nickel
101445286	Matte Black

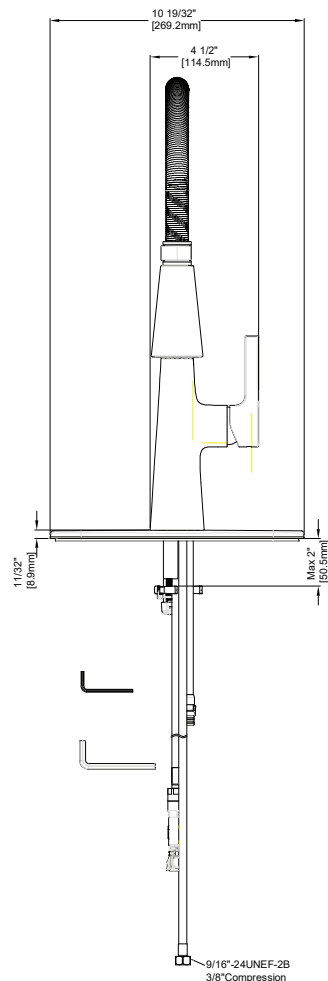


Approvals

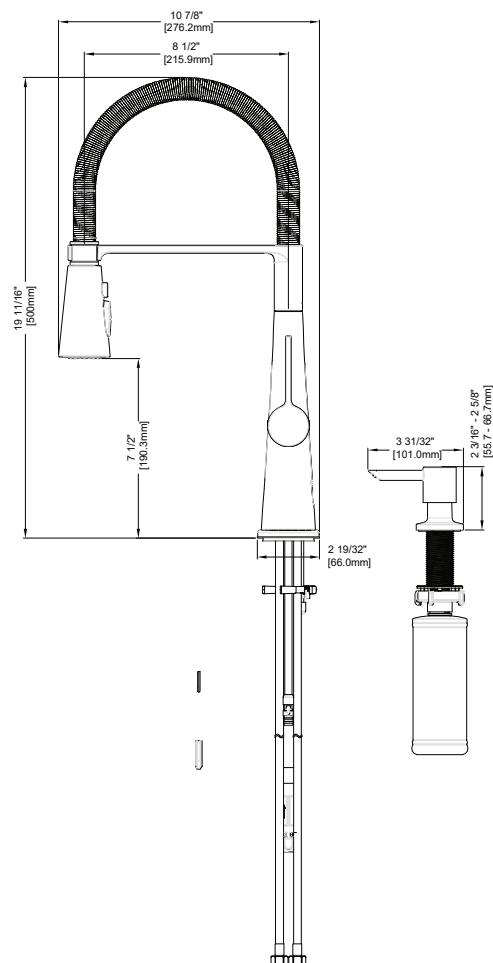


Product Diagrams

Front



Side

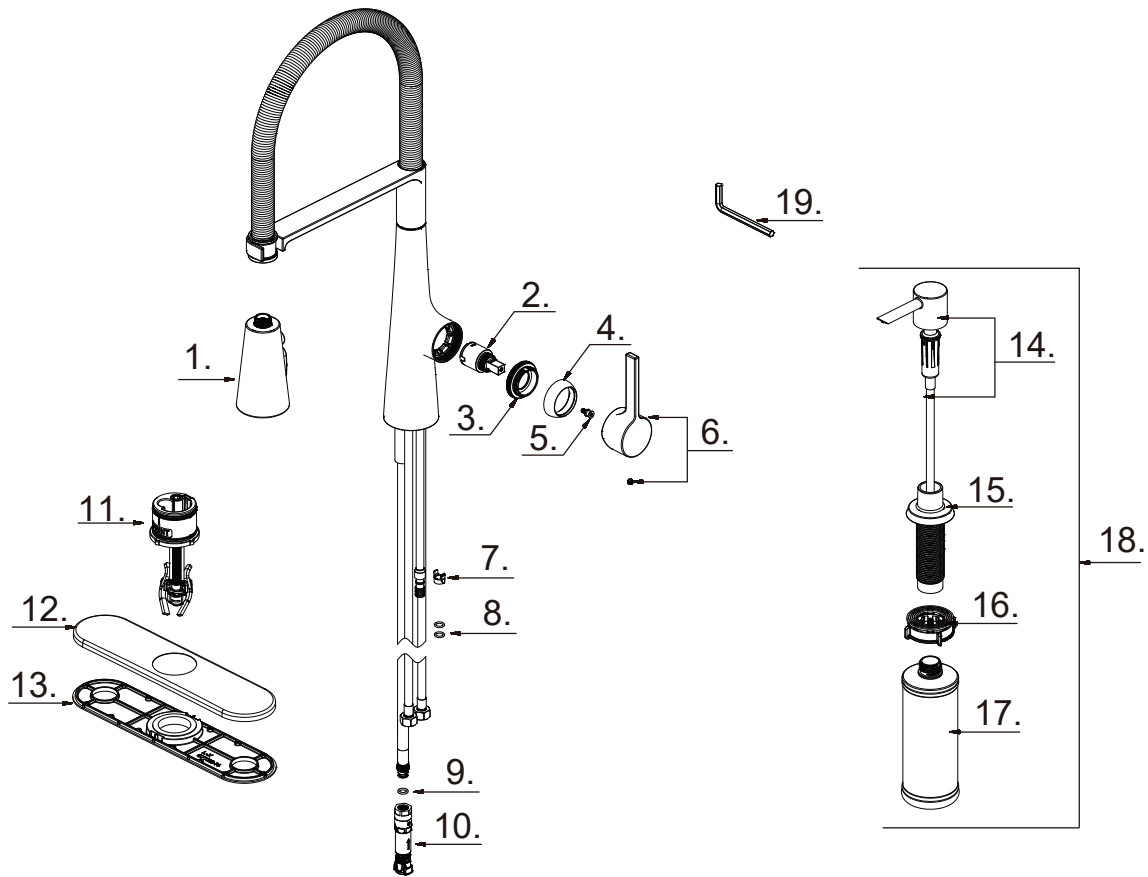


Please call our toll-free Technical Support line at 877-580-5682 for additional assistance or missing parts.

LEO Single Handle Pull-down Kitchen Faucet



Replacement Parts List



Part	Part #	Description
1	RP38686*	Spray Head
2	RP20090	Cartridge
3	RP70830	Retainer Nut
4	RP80028*	Cap
5	RP70844	Connector
6	RP13936*	Handle
7	RP70421	Block
8	RP60002	O-Ring
9	RP60089	O-Ring
10	RP70973	Quick Connect Assembly
11	RP70877*	Top mount install
12	RP80667*	Deckplate
13	RP80755	Gasket
14	RP46126*	Pump Kit
15	RP46108*	Flange Kit
16	RP56158	Soap Dispenser Quick Install Nut
17	RP46099	Soap Bottle
18	RP46127*	Soap Dispenser Kit
19	RP70878	6.0 mm hex wrench

* Represent for 0802:SS / 7001:MB