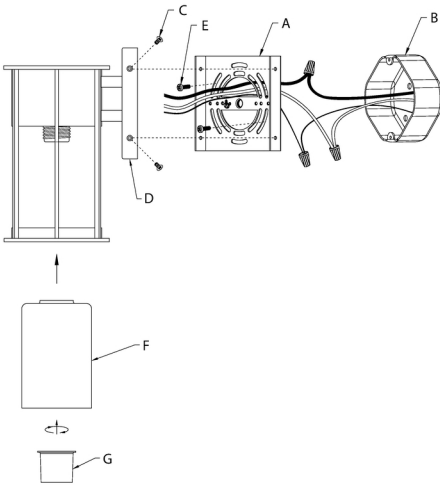


Fixture Diagram



Parts List

[A] Mounting Plate	[D] Canopy Plate	[G] Socket Ring
[B] Outlet Box	[E] Mounting Screws	
[C] Mounting Screws	[F] Glass	

CAUTION – RISK OF SHOCK –

Wub
PPo

WARNING:

o d
of
uf
lwo

ED
EV
DUJG
FB
URB

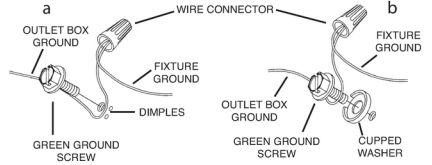
Ubo
Ab
ufo

■

- 1) tGP (P o
o l u P o o
box **[B]**)
P W P o
- 2) a) u P o
o o o B u
o P P u
into hole.
b) u J
P u o v
P P u
u P o

[A] in the 9 and 3
[E].

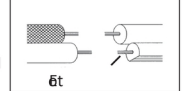
P P u
ground wire to outlet box ground wire with wire
P o P E
ground wire to black or white power supply wires.



- 3) P P o

o l t W	to t W
Black	White
Woo v u	Woo o ridged)
o b l Black without Tracer	o b o l with Tracer
u than green) with copper conductor	u conductor

W t o o W d
W d d e
P
and the other wire will be round
u o o



- 4) W . o o G P (P
o P o o P P o G P (P
plate with holes in canopy **[D]**. Be sure not to pinch wires
o o P
- 5) (P
u P o G P . o o
Tighten to secure.
- 6) P o P o **[F]**
- 7) t o o P P o l l P **[G]**
- 8) u u o o