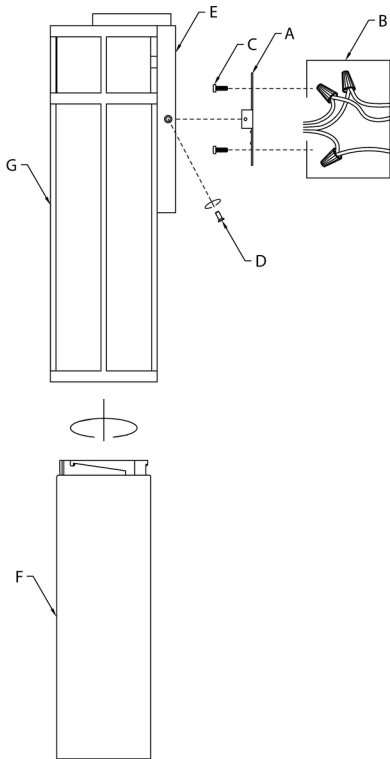


FIXTURE DIAGRAM

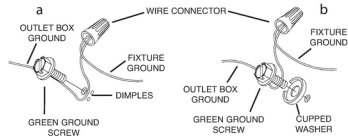


INSTALLATION INSTRUCTIONS

- Attach mounting strap [A] to outlet box [B] using the strap mounting screw [C]. Mounting strap can be adjusted to suit position of fixture.

NOTE: Mounting strap should be installed with the bent tabs at the outer edge of the mounting strap pointing away from the wall, at the 9 and 3 o'clock position as shown.
- Grounding instructions: (See illus. a or b).
 - On fixtures where mounting strap is provided with a hole and two raised dimples, wrap ground wire from outlet box around green ground screw, and thread into hole.
 - On fixtures where a cupped washer is provided, attach ground wire from outlet box under cupped washer and green ground screw, and thread into mounting strap.

If fixture is provided with ground wire, connect fixture ground wire to outlet box ground wire with wire connector after following the above steps. Never connect ground wire to black or white power supply wires.



- Make wire connections. Reference chart below for correct connections and wire accordingly.

Connect Black or Red Supply Wire to:	Connect White Supply Wire to:
Black	White
*Parallel cord (round & smooth)	*Parallel cord (square & ridged)
Clear, Brown, Gold or Black without Tracer	Clear, Brown, Gold or Black with Tracer
Insulated wire (other than green) with copper conductor	Insulated wire (other than green) with silver conductor

*Note: When parallel wire (SPT 1 & SPT 2) are used. The neutral wire is square shaped or ridged and the other wire will be round in shape or smooth (See illus.)



- NOTE:** Fixture should be installed with glass [F] facing DOWN (as shown).

Push canopy [E] to wall, carefully aligning the mounting screw holes in left and right side of mounting strap with the mounting screw holes in left and right side of canopy.

NOTE: Make sure all wires are inside canopy and do not get pinched between mounting strap and canopy or wall and canopy of fixture.

- Screw two (2) mounting screw [D] into holes in canopy and mounting strap to attach fixture to wall. One on the left side and one on the right side of canopy. Tighten to secure.
- Carefully raise glass [F] up into frame [G] and seat glass against fixture. Gently press glass up against fixture and turn glass clockwise until it locks into place. **DO NOT OVER-TIGHTEN.**

PARTS LIST

[A] Mounting Strap	[C] Strap Mounting Screw (2)	[F] Glass
[B] Outlet Box (not supplied)	[D] Mounting Screw (2)	[G] Frame
	[E] Canopy	

CAUTIONS

CAUTION – RISK OF SHOCK:
 Disconnect Power at the main circuit breaker panel or main fusebox before starting and during the installation.

WARNING:

- This fixture is intended for installation in accordance with the National Electrical Code (NEC) and all local code specifications. If you are not familiar with code requirements, installation by a certified electrician is recommended. Failure to adhere to these codes and instructions may result in serious injury and/or property damage and will void the warranty.

INSTRUCTIONS FOR MOUNTING FIXTURE OUTDOORS AND/OR IN WET LOCATIONS:

- Mounting surface should be clean, dry, flat and 1/4" larger than the canopy on all sides. Any gaps between the mounting surface and canopy exceeding 3/16" should be corrected as required.
- With silicone caulking compound, caulk completely around where back of canopy meets the wall surface to prevent water from seeping into outlet box.

DIMMING:

This LED fixture is compatible with most standard incandescent dimmers, LED dimmers, and electronic low voltage dimmers.

For optimal performance, an electronic low voltage dimmer should be used. See kichler.com/dimming for a list of compatible dimmers.

CLEANING:

- Always be certain that electric current is turned off before cleaning.
- Only a soft damp cloth should be used. Harsh cleaning products may damage the finish.

FCC INFORMATION

This device complies with part 15 of the FCC Rules. Operation is subject to the following two conditions:

- This device may not cause harmful interference, and
- This device must accept any interference received, including interference that may cause undesired operation.

Note: This equipment has been tested and found to comply with the limits for a Class B digital device, pursuant to part 15 of the FCC Rules. These limits are designed to provide reasonable protection against harmful interference in a residential installation. This equipment generates, uses and can radiate radio frequency energy and, if not installed and used in accordance with the instructions, may cause harmful interference to radio communications. However, there is no guarantee that interference will not occur in a particular installation. If this equipment does cause harmful interference to radio or television reception, which can be determined by turning the equipment off and on, the user is encouraged to try to correct the interference by one or more of the following measures:

- Reorient or relocate the receiving antenna.
- Increase the separation between the equipment and receiver.
- Connect the equipment into an outlet on a circuit different from that to which the receiver is connected.
- Consult the dealer or an experienced radio/TV technician for help.