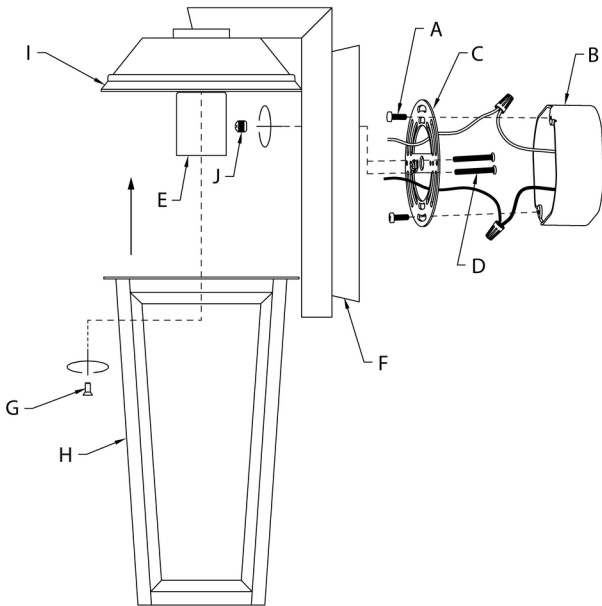


FIXTURE DIAGRAM



PARTS LIST

[A] Strap Mounting Screw (2)	[D] Mounting Screw (2)	[H] Lower Frame
[B] Outlet Box (not supplied)	[E] Socket	[I] Upper Frame
[C] Mounting Strap	[F] Canopy	[J] Knob (2)
	[G] Countersunk Screw (2)	

CAUTIONS

CAUTION – RISK OF SHOCK:

Disconnect Power at the main circuit breaker panel or main fusebox before starting and during the installation.

WARNING:

1. This fixture is intended for installation in accordance with the National Electrical Code (NEC) and all local code specifications. If you are not familiar with code requirements, installation by a certified electrician is recommended. Failure to adhere to these codes and instructions may result in serious injury and/or property damage and will void the warranty.

INSTRUCTIONS FOR MOUNTING FIXTURE OUTDOORS

AND/OR IN WET LOCATIONS:

- 1) Mounting surface should be clean, dry, flat and 1/4" larger than the canopy on all sides. Any gaps between the mounting surface and canopy exceeding 3/16" should be corrected as required.
- 2) With silicone caulking compound, caulk completely around where back of canopy meets the wall surface to prevent water from seeping into outlet box.

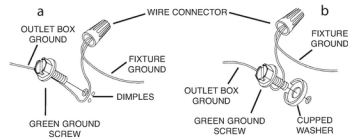
CLEANING:

- Always be certain that electric current is turned off before cleaning.
- Only a soft damp cloth should be used. Harsh cleaning products may damage the finish.

INSTALLATION INSTRUCTIONS

1. Find the appropriate threaded holes on mounting strap **[C]** that align with hole distance in canopy **[F]**. Thread mounting screws **[D]** into threaded holes starting from outlet box **[B]** side.
2. Attach mounting strap **[C]** to outlet box **[B]** using the strap mounting screws **[A]**. Mounting strap can be adjusted to suit position of fixture.
3. Grounding instructions: (See illus. a or b).
 - a. On fixtures where mounting strap is provided with a hole and two raised dimples, wrap ground wire from outlet box around green ground screw, and thread into hole.
 - b. On fixtures where a cupped washer is provided, attach ground wire from outlet box under cupped washer and green ground screw, and thread into mounting strap.

If fixture is provided with ground wire, connect fixture ground wire to outlet box ground wire with wire connector after following the above steps. Never connect ground wire to black or white power supply wires.



4. Make wire connections. Reference chart below for correct connections and wire accordingly.

Connect Black or Red Supply Wire to:	Connect White Supply Wire to:
Black	White
*Parallel cord (round & smooth)	*Parallel cord (square & ridged)
Clear, Brown, Gold or Black without Tracer	Clear, Brown, Gold or Black with Tracer
Insulated wire (other than green) with copper conductor	Insulated wire (other than green) with silver conductor

*Note: When parallel wire (SPT 1 & SPT 2) are used. The neutral wire is square shaped or ridged and the other wire will be round in shape or smooth (See illus.)



5. Remove the two (2) countersunk screws **[G]** from the bottom of upper frame **[I]** (one on each side of fixture). Retain countersunk screws. Carefully remove upper frame **[I]** from lower frame **[H]**.
 6. **NOTE: Fixture should be installed with socket **[E]** facing DOWN as shown.**

Push fixture to wall, carefully aligning the mounting screws protruding from the mounting strap with holes in canopy.

NOTE: Make sure all wires are inside canopy and do not get pinched between mounting strap and canopy or wall and canopy of fixture.
7. Screw knobs **[J]** onto threads protruding through holes in canopy (2 places) and tighten to secure fixture to wall.
 8. Insert recommended bulb(s) (not included).
 9. Carefully raise lower frame **[H]** up over bulb, to upper frame **[I]**. Align the two (2) holes in the lower frame with the two (2) holes in the bottom of the upper frame.
 10. While holding lower frame in place, screw countersunk screws **[G]** into aligned holes and tighten to secure lower frame to upper frame.