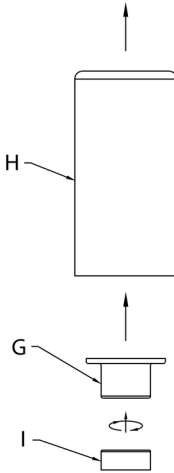
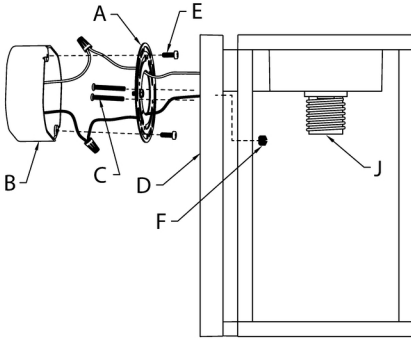


Fixture Diagram



Parts List

- | | | |
|---------------------|---------------------------|-----------------|
| [A] Mounting Strap | [D] Canopy Strap | [F] Knobs |
| [B] Outlet Box | [E] Strap Mounting Screws | [G] Spacer |
| [C] Mounting Screws | | [H] Glass |
| | | [I] Socket Ring |
| | | [J] Socket |

CAUTION – RISK OF SHOCK –
Wub
PPo

WARNING:

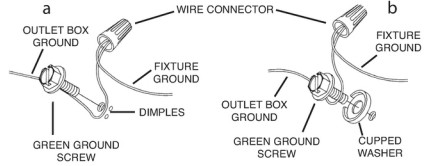
o d
cink
uP
uoo

EDHMK
EJGZV
DGLJG
FB
UR

BoxJoo
Ab
uPo

■

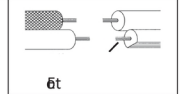
- 1) uP strap[A] that align with hole distance in canopy[D]. duP [C]
- 2) uP [A] to outlet box[B] side.
- 3) W/oo a) KuP hole and two raised dimples, wrap ground wire from outlet box around green ground screw, and thread into hole. b) KuJ Puv washer and green ground screw, and thread into uP /P ground wire to outlet box ground wire with wire Poo ground wire to black or white power supply wires.



4) P

| vl tW | to tW |
|--|---|
| Black | White |
| Wooov smooth) | Wooo ridged) |
| Clear, Brown, Gold or Black without Tracer | Clear, Brown, Gold or Black with Tracer |
| /u than green) with copper conductor | /u conductor |

W/tooWd
Wdde
P
and the other wire will be round
uoo



- 5) W.ooPooP screws with holes in canopy. Make sure all wires are inside canopy and do not get pinched between wall and u
- 6) lw to secure. [F] to the canopy[D]. Tighten
- 7) P [H] [J]]
- 8) tooBlBL ring[I] up and screw onto threads on socket. Tighten to secure glass and spacer.
- 9) /uuP