

INSTRUCTIONS

For Assembling and Installing Fixtures in Canada
Pour L'assemblage et L'installation Au Canada

WARNING:

- This fixture is intended for installation in accordance with the National Electric Code (NEC) and all local code specifications.
- Supply wires are not intended for use through or concealed behind walls, floors, or ceilings.
- The LED light output is strong enough to injure human eyes. Precautions must be taken to prevent looking directly at LED's with unaided eyes for more than a few seconds.

DIMMING: This LED fixture is compatible with most standard incandescent dimmers and LED dimmers.

- 1) Read and understand all instructions and illustrations completely before proceeding with assembly and installation of fixture.
- 2) If you have any doubts about how to install this fixture, or if the fixture fails to operate completely, please contact a qualified electrician.
- 3) All parts must be used as indicated in the instructions. Do not substitute any parts, leave parts out, or use any parts that are worn or broken. Failure to obey this instruction could invalidate the UL listing, C.S.A. certification, and/or ETL listing of this fixture.
- 4) This fixture is to be connected to a single branch circuit.


TURN OFF POWER.

IMPORTANT: Before you start, NEVER attempt any work without shutting off the electricity until the work is done.

- a) Go to the main fuse, or circuit breaker, box in your home. Place the main power switch in the "OFF" position.
 - b) Unscrew the fuse(s), or switch "OFF" the circuit breaker switch(s), that control the power to the fixture or room that you are working on.
 - c) Place the wall switch in the "OFF" position. If the fixture to be replaced has a switch or pull chain, place those in the "OFF" position.
- 2) Mounting surface should be clean, dry, flat and 1/4" larger than the fixture housing surface.
 - 3) Any gaps in the mounting surface exceeding 3/16" should be corrected as required.
 - 4) Attach mounting strap to outlet box. Mounting strap can be adjusted to suit position of fixture.
 - 5) Make wire connections. Reference chart below for correct connections and wire accordingly.

Connect Black or Red Supply Wire to:	Connect White Supply Wire to:
Black	White
*Parallel cord (round & smooth)	*Parallel cord (square & ridged)
Clear, Brown, Gold or Black without Tracer	Clear, Brown, Gold or Black with Tracer
Insulated wire (other than green) with copper conductor	Insulated wire (other than green) with silver conductor

*Note: When parallel wire (SPT I & SPT II) are used. The neutral wire is square shaped or ridged and the other wire will be round in shape or smooth (see illus.)



- 6) Install fixture onto mounting strap. Care must be taken not to pinch supply wires. Secure using two #8-32 mounting screws provided. Fixture must be installed as shown by the orientation label in the canopy.
FOR 49608 AND 49279 FIXTURES ONLY: When installing fixture onto mounting strap ferrite beads must be oriented with the wires parallel to the canopy as shown. Care must be taken not to pinch the wires between the ferrite beads and the canopy or ferrite beads and the mounting strap. (See FIGURE 3)
- 7) With silicone RTV caulk, caulk completely around the housing/wall joint on the top and both sides. Caulk should not be applied to the bottom joint (See FIGURE 2).

This device complies with part 15 of the FCC Rules. Operation is subject to the following two conditions: (1) This device may not cause harmful interference, and (2) this device must accept any interference received, including interference that may cause undesired operation.

Note: This equipment has been tested and found to comply with the limits for a Class B digital device, pursuant to part 15 of the FCC Rules. These limits are designed to provide reasonable protection against harmful interference in a residential installation. This equipment generates, uses and can radiate radio frequency energy and, if not installed and used in accordance with the instructions, may cause harmful interference to radio communications. However, there is no guarantee that interference will not occur in a particular installation. If this equipment does cause harmful interference to radio or television reception, which can be determined by turning the equipment off and on, the user is encouraged to try to correct the interference by one or more of the following measures:

- Reorient or relocate the receiving antenna.
- Increase the separation between the equipment and receiver.
- Connect the equipment into an outlet on a circuit different from that to which the receiver is connected.
- Consult the dealer or an experienced radio/TV technician for help.

SEE OTHER SIDE FOR CANADIAN FRENCH TRANSLATIONS.
VOIR L'AUTRE CÔTÉ POUR LES CANADIENS TRANDUCTIONS EN FRANÇAIS.

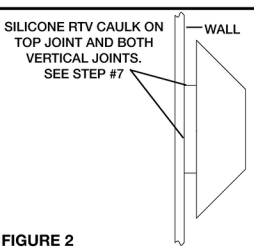
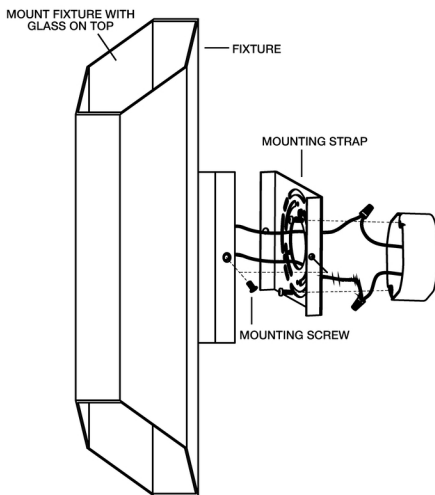
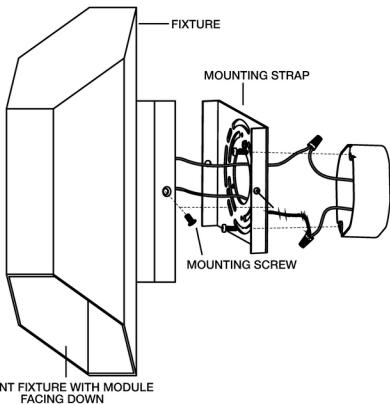


FIGURE 2



FIGURE 3
Applies only to fixtures with two modules.