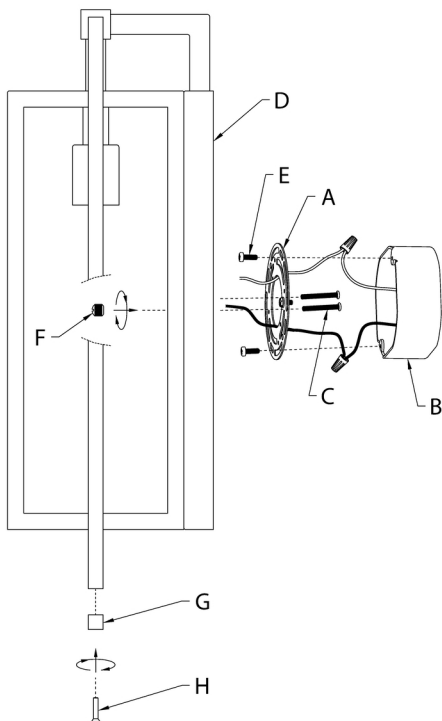


## Fixture Diagram



## Parts List

[A] Mounting Strap	[D] Canopy	[G] Lower Horizontal Bar
[B] Outlet Box Mounting Screws	[E] Strap Mounting Screws	[H] Screws
[C] Mounting Screws	[F] Knobs	

### CAUTION – RISK OF SHOCK –

Wub  
PPo

### WARNING:

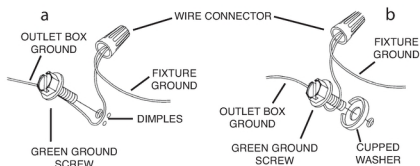
o d  
cnc  
ufb  
lwo

ED HIK  
EV  
DUG  
FB  
URB

Ubo  
Ab  
ufo

## ⚡

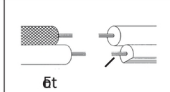
- Remove lower horizontal bar [G] unscrewing two (2) screws [H] horizontal bar. Keep screws and lower horizontal bar for uvv(voov &vovuvvP strap [A] that align with hole distance in canopy [D]. duvvP [C] from outlet box [B] side.
- uvvP [A] to outlet box [B] using the uvvP [E] D
- wPvW/oo a) Kv.uvvP hole and two raised dimples, wrap ground wire from outlet box around green ground screw, and thread into hole.
- Kv. Pv(uov washer and green ground screw, and thread into uvvP /(.Pvvv. ground wire to outlet box ground wire with wire wL(oovPÉv ground wire to black or white power supply wires.



- wv(o{ vvvvPo

vvol tW	to tW
Black	White
*Parallel cord (round & smooth)	*Parallel cord (square & ridged)
Clear, Brown, Gold or Black without Tracer	Clear, Brown, Gold or Black with Tracer
/vo than green) with copper conductor	/vo than green) with silver conductor

WtvooWd 1 & SPT 2) are used. The neutral wire is square shaped or ridged and the other wire will be round in shape or smooth (See illus.)



- W.oo(oooPvvPuvvP screws with holes in canopy. Make sure all wires are inside canopy and do not get pinched between wall and v{.
- Thread knobs [F]
- /vuuvovo
- ovo [G] (2) screws [H] that were previously removed in step 1. dPvovo.