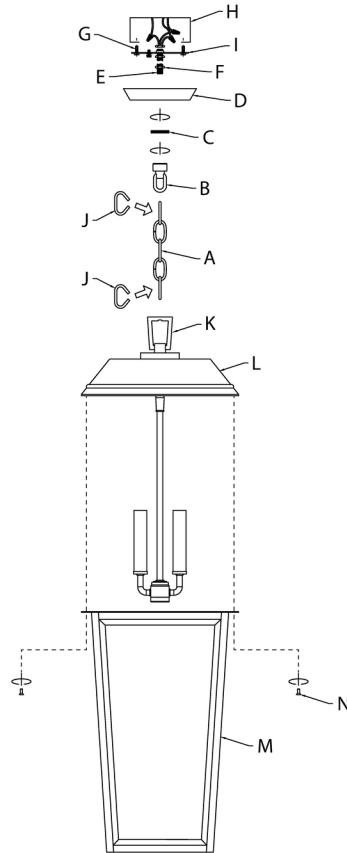


FIXTURE DIAGRAM



PARTS LIST

[A] Chain	[G] Strap Mounting Screw (2)	[K] Decorative Loop
[B] Screw Collar Loop	[H] Outlet Box (Not Supplied)	[L] Upper Frame
[C] Threaded Ring	[I] Mounting Strap	[M] Lower Frame
[D] Canopy	[J] Open Chain Link (2)	[N] Countersunk Screw (2)
[E] Threaded Pipe		
[F] Hex Nut (3)		

CAUTIONS

CAUTION – RISK OF SHOCK:
Disconnect Power at the main circuit breaker panel or main fusebox before starting and during the installation.

WARNING:

- This fixture is intended for installation in accordance with the National Electrical Code (NEC) and all local code specifications. If you are not familiar with code requirements, installation by a certified electrician is recommended. Failure to adhere to these codes and instructions may result in serious injury and/or property damage and will void the warranty.

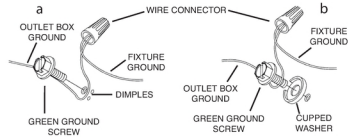
CLEANING:

- Always be certain that electric current is turned off before cleaning.
- Only a soft damp cloth should be used. Harsh cleaning products may damage the finish.

INSTALLATION INSTRUCTIONS

- Remove the two (2) countersunk screws **[N]** from the bottom of upper frame **[L]** (one on each side of fixture). Retain countersunk screws. Carefully remove upper frame **[L]** from lower frame **[M]**.
- Take threaded pipe **[E]** from parts bag and screw into screw collar loop **[B]** a minimum of 6 mm (1/4"). Lock into place with hex nut **[F]**.
- Run another hex nut down threaded pipe almost touching first hex nut. Now screw threaded pipe into mounting strap **[I]**. Mounting strap must be positioned with extruded thread facing into outlet box **[H]**. Threaded pipe must protrude out the other side of mounting strap. Screw third hex nut onto end of threaded pipe protruding from back of mounting strap.
- Connect mounting strap to outlet box using strap mounting screws **[G]**.
- Unscrew the threaded ring **[C]** from screw collar loop **[B]**. Take canopy **[D]** and pass over screw collar loop. Approximately one half of the screw collar loop exterior threads should be exposed. Adjust screw collar loop by turning assembly up or down in mounting strap. Remove canopy.
- After desired position is found, tighten both top and bottom hex nuts up against the bottom and top of the mounting strap.
- Slip canopy over screw collar loop and screw on threaded ring.
- Attach one end of chain **[A]** to bottom of screw collar loop **[B]** by using one open chain link **[J]**. Attach opposite end of chain to decorative loop **[K]** by using other open chain link **[J]**. To close the open chain links, place a piece of cloth over the open link and use a pair of pliers to gently squeeze the link closed.
- Unscrew threaded ring **[C]**. Let canopy **[D]** and threaded ring slip down.
- Weave fixture wires and ground wire through chain links **[A]** no more than 3 inches apart. Pass wire through screw collar loop **[B]**, threaded ring **[C]**, canopy **[D]**, threaded pipe **[E]** and into outlet box **[H]**.
- Grounding instructions: (See illus. a or b).
 - On fixtures where mounting strap is provided with a hole and two raised dimples, wrap ground wire from outlet box around green ground screw, and thread into hole.
 - On fixtures where a cupped washer is provided, attach ground wire from outlet box under cupped washer and green ground screw, and thread into mounting strap.

If fixture is provided with ground wire, connect fixture ground wire to outlet box ground wire with wire connector after following the above steps. Never connect ground wire to black or white power supply wires.



- Make wire connections. Reference chart below for correct connections and wire accordingly.

Connect Black or Red Supply Wire to:	Connect White Supply Wire to:
Black	White
*Parallel cord (round & smooth)	*Parallel cord (square & ridged)
Clear, Brown, Gold or Black without Tracer	Clear, Brown, Gold or Black with Tracer
Insulated wire (other than green) with copper conductor	Insulated wire (other than green) with silver conductor
<p>*Note: When parallel wire (SPT 1 & SPT 2) are used. The neutral wire is square shaped or ridged and the other wire will be round in shape or smooth (See illus.)</p> <p>Neutral Wire</p>	

- Raise canopy to ceiling and secure canopy in place by tightening threaded ring **[C]** onto screw collar loop **[B]**.
NOTE: Make sure wires do not get pinched between strap and canopy or canopy and ceiling.
- Insert recommended bulbs (not included).
- Carefully raise lower frame **[M]** up over bulbs, to upper frame **[L]**. Align the two (2) holes in the lower frame with the two (2) holes in the bottom of the upper frame.
- While holding lower frame in place, screw countersunk screws **[N]** into aligned holes and tighten to secure lower frame to upper frame.