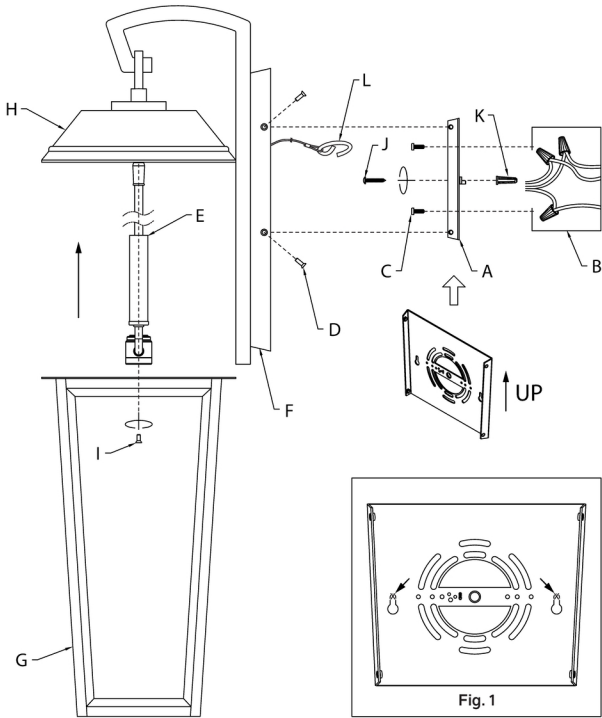


FIXTURE DIAGRAM



PARTS LIST

- | | | |
|-------------------------------|-----------------|---------------------------|
| [A] Mounting Strap | [E] Socket | [I] Countersunk Screw (2) |
| [B] Outlet Box (not supplied) | [F] Canopy | [J] Wall Anchor Screw (2) |
| [C] Strap Mounting Screw (2) | [G] Lower Frame | [K] Wall Anchor (2) |
| [D] Mounting Screw (4) | [H] Upper Frame | [L] Safety Cable |

CAUTIONS

CAUTION – RISK OF SHOCK: Disconnect Power at the main circuit breaker panel or main fusebox before starting and during the installation.

WARNING:

- This fixture is intended for installation in accordance with the National Electrical Code (NEC) and all local code specifications. If you are not familiar with code requirements, installation by a certified electrician is recommended. Failure to adhere to these codes and instructions may result in serious injury and/or property damage and will void the warranty.

INSTRUCTIONS FOR MOUNTING FIXTURE OUTDOORS

AND/OR IN WET LOCATIONS:

- Mounting surface should be clean, dry, flat and 1/4" larger than the canopy on all sides. Any gaps between the mounting surface and canopy exceeding 3/16" should be corrected as required.
- With silicone caulking compound, caulk completely around where back of canopy meets the wall surface to prevent water from seeping into outlet box.

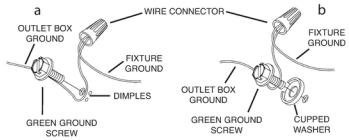
CLEANING:

- Always be certain that electric current is turned off before cleaning.
- Only a soft damp cloth should be used. Harsh cleaning products may damage the finish.

INSTALLATION INSTRUCTIONS

- Remove the two (2) countersunk screws [I] from the bottom of upper frame [H] (one on each side of fixture). Retain countersunk screws. Carefully remove upper frame [H] from lower frame [G].
- Attach mounting strap [A] to outlet box [B] using the strap mounting screws [C]. Mounting strap can be adjusted to suit position of fixture.
NOTE: Mounting strap should be installed with the narrow ends of the keyhole slots facing up (Fig. 1), and with the side flanges pointing away from the wall, at the 9 and 3 o'clock position as shown.
- Using the mounting strap as a template, mark the positions for the wall anchors at the top of the narrow ends of the keyholes (Fig. 1).
- Carefully remove strap mounting screws [C] and mounting strap [A] from outlet box.
- Drill 1/8" (3.2mm) holes in the mounting surface at the positions that were marked in Step 3. Insert a wall anchor [K] into each hole, and lightly tap wall anchor into mounting surface until flush.
- Reattach mounting strap [A] to outlet box [B] using the strap mounting screws [C].
- Secure mounting strap to wall anchors with two (2) wall anchor screws [J].
- Attach the safety cable [L] to the mounting strap or to the inside of the outlet box and secure into place to prevent damage to the wires during wiring.
- Grounding instructions: (See illus. a or b).
 - On fixtures where mounting strap is provided with a hole and two raised dimples, wrap ground wire from outlet box around green ground screw, and thread into hole.
 - On fixtures where a cupped washer is provided, attach ground wire from outlet box under cupped washer and green ground screw, and thread into mounting strap.

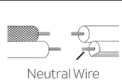
If fixture is provided with ground wire, connect fixture ground wire to outlet box ground wire with wire connector after following the above steps. Never connect ground wire to black or white power supply wires.



- Make wire connections. Reference chart below for correct connections and wire accordingly.

Connect Black or Red Supply Wire to:	Connect White Supply Wire to:
Black	White
*Parallel cord (round & smooth)	*Parallel cord (square & ridged)
Clear, Brown, Gold or Black without Tracer	Clear, Brown, Gold or Black with Tracer
Insulated wire (other than green) with copper conductor	Insulated wire (other than green) with silver conductor

*Note: When parallel wire (SPT 1 & SPT 2) are used. The neutral wire is square shaped or ridged and the other wire will be round in shape or smooth (See illus.)



- NOTE: Fixture should be installed with sockets [E] facing UP as shown.**

Push canopy [F] to wall, carefully aligning the mounting screw holes in left and right side of mounting strap with the mounting screw holes in left and right side of canopy.

NOTE: Make sure all wires are inside canopy and do not get pinched between mounting strap and canopy or wall and canopy of fixture.

- Screw four (4) mounting screws [D] into holes in canopy and mounting strap to attach fixture to wall. Two on the left side and two on the right side of canopy. Tighten to secure.
- Insert recommended bulb(s) (not included).
- Carefully raise lower frame [G] up over bulbs, to upper frame [H]. Align the two (2) holes in the lower frame with the two (2) holes in the bottom of the upper frame.
- While holding lower frame in place, screw countersunk screws [I] into aligned holes and tighten to secure lower frame to upper frame.