



Mixed Width Installation Instructions

October 2022

I. Before You Start/ Preparations

Please read all the instructions before you begin the installation. Improper installation will void warranty.

Important notice

Every application and installation is different therefore we strongly recommend the customer consult a licensed installer/contractor to verify that the conditions and application meet local requirements or industry expectations. Any installation guidelines are not intended to supersede federal, state or local regulations which may require modifying the existing installation, materials or structural components. The owner assumes responsibility for compliance with all building codes, including maintaining the required distance from heat sources such as fireplaces.

All wood based products, even those specifically designed to have increased resistance to moisture, are hygroscopic (they will react to the moisture in the environment) and as a result will expand or contract accordingly. All sources of under floor moisture must be rectified prior to the installation of the floor. Any construction dampness must be completely dry. This flooring has a pre-attached underlayment. This flooring is approved for use with Sentinel Protect Plus underlayment with built in vapor barrier. A 6-mil poly-film moisture barrier is required over concrete when not using Sentinel Protect Plus underlayment with built in vapor barrier. The use of the Sentinel Protect Plus underlayment under the product is warranted for residential applications only, including multifamily housing and condominiums (residential unit only). Do not use any additional underlayment in commercial applications (e.g. industrial areas, commercial foyers, restaurants, etc.) or any areas with heavy rolling loads. Using additional underlayment in commercial applications such as these will void the warranty. Do not install this flooring over carpet. It is important that you check each plank for any manufacturing defects. Any faults must be reported back to the store of purchase for an immediate refund or replacement prior to the flooring being installed.

- Calculate the room surface prior to installation and plan an extra 10% of flooring for waste.
- In most cases, this product can be installed immediately and does not need to be acclimated. If the relative humidity in the room is below 35% or above 70%, the product should be acclimated by placing the unopened boxes in the room where the flooring is to be installed for 24 hours. The room temperature must be between 60-78°F (18-25°C) during installation and, if required, during acclimation.
- Relative humidity levels of your room should be maintained at 35%-70% at 65-78°F (18-25°C).
- For floor surfaces exceeding 6400 ft² (600m²) and/or lengths exceeding 80 feet (24m) and overlaps to new rooms and floor surface which do not join symmetrically, use expansion joints to divide the floor sections.
- Do not install cabinets or fixed objects on top of the flooring. Proper expansion space 1/2" (12 mm) is required. Undercut all doorjamb.
- Inspect your subfloor before you begin. Subfloors must be clean, and level to 3/16" within a 10 lineal foot span. Concrete subfloors must be dry (max. 2.5% moisture content - CM method).
- If this flooring is intended to be installed over an existing wood floor, it is recommended to repair any loose boards or squeaks before you begin installation.
- With a floating floor, you must always ensure you leave a 1/2" (1cm) gap between walls and fixtures such as pipes and pillars, stairs, etc. Tip: When installing around pipes, drill the holes 3/4" (20 mm) larger than the diameter of the pipes.
- A vapor barrier must be installed over concrete substrates. In the case installation is done over a wood substrate on or below grade, a vapor barrier must be installed if there is not a vapor barrier existing in a well-ventilated crawl space. A minimum 6 mil (0.15mm) plastic poly sheeting should be used as a moisture barrier.
- Decide the installation direction. It is recommended to install the length direction of the planks parallel to the main light direction.
- Measure the area to be installed: The board width of the last row shall not be less than 2" (50mm). If so, adjust the width of the first row to be installed. When measuring, take the expansion gap requirement of about 1/2" (10mm) of the floor perimeter into account. In narrow hallways, install the floor parallel to the longest dimension.
- Prior to installation, inspect material in daylight for visible faults/damage, including defects or discrepancies in color or shine; check the edges of the flooring for straightness and any damage. No claims on surface defects will be accepted after installation.

IMPORTANT NOTICE

In-Floor Radiant Heat: Flooring can be installed over 1/2" (12mm) embedded radiant heat. Radiant heat systems must have a minimum of 1/2" (12mm) separation from the product. Maximum operating temperature should never exceed 85°F (30°C). Use of an in-floor temperature sensor is recommended to avoid overheating.

- Before installing over newly constructed radiant heat systems, operate the system at maximum capacity to force any residual moisture from the cementitious topping of the radiant heat system. The maximum moisture content should be 2.5% (CM method). Before starting the installation, turn the heat off for 24 hours before, during and 24 hours after installation.
- Make sure that the temperature in the room is between 60°F (15°C) and 80°F (25°C) during installation.
- Once the installation has been completed, the heating system should be turned on and increased gradually (5 degree increments) until returning to normal operating conditions.
- Refer to the radiant heat system's manufacturer recommendations for additional guidance.

Warning: Electric heating mats that are not embedded into the subfloor are not recommended for use underneath the flooring. Using electric heating mats that are not embedded and applied directly underneath the flooring will void the warranty.

II. Installation Steps

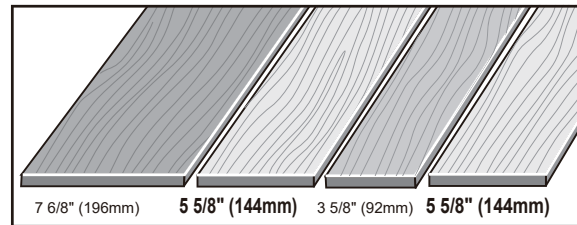
Tools and Supplies Required

- Spacers • Saw • Adhesive Tape • Minimum 6 mil poly vapor barrier for crawl space and concrete floor installations • Rubber Mallet • Ruler • Pencil
- Tape Measure • Tapping Block • Pull bar • NIOSH Mask • Gloves • Safety Glasses • Hearing Protection

SAFETY CAUTION: USE SAFETY GLASSES AND GLOVES WHEN CUTTING THIS PRODUCT. DURING THE CUTTING PROCESS, LAMINATE MAY CREATE WOOD DUST; BE SURE TO INSTALL IN A WELL-VENTILATED AREA.



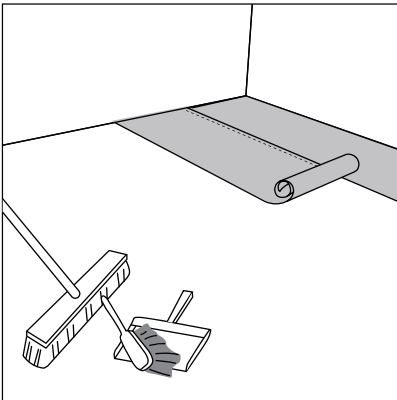
ATTENTION:
Use a 5 5/8" wide plank (144mm) every other row



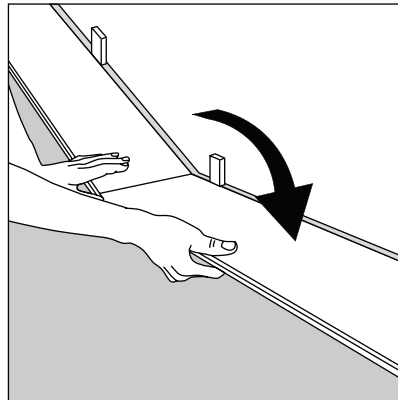
NOTE: A 5 5/8" (144mm) wide plank **MUST** be used in every other row. This sequence must be followed throughout the entire installation.

The other part of this collection is blended widths made out of three different widths 92-144-196mm. Each box is made of double or more 144mm planks than there are 92mm or 196mm planks. When installing this mixed-width product, a 144mm wide plank **MUST** be used in every other row to reduce waste and create a favorable look. This sequence must be followed throughout the entire installation.

General residential installations



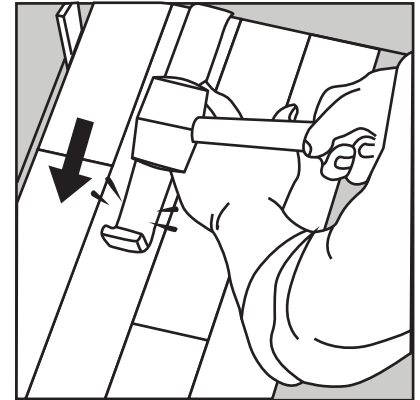
- 1 Thoroughly clean the subfloor before you start the installation. If you are installing over a concrete subfloor, a minimum 6-mil plastic poly sheeting must be added prior to flooring installation. Run the moisture barrier in the same direction as the flooring planks. The barrier should be butted side-by-side with no overlap. Tape seams together.



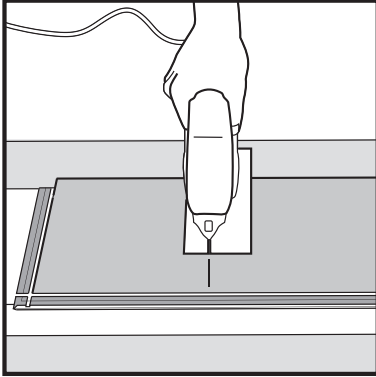
- 2 Begin laying in the left-hand corner. Place the plank 1/2" (10mm) from the left wall with the tongue side of the plank facing the wall. Use spacers between the wall and the plank.

First row, second plank: Insert the end tongue on the short side of the second plank into the end groove of the first one and rotate downward to assemble. Make sure both planks are perfectly aligned.

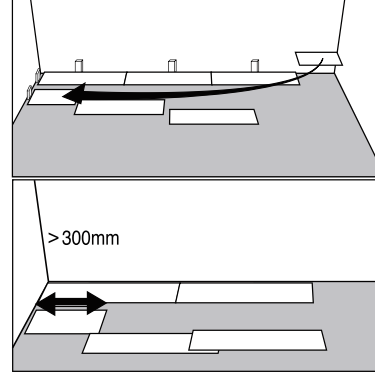
NOTE: If you notice both planks aren't at the same height or are not well locked together, please follow the disassembling instructions at the bottom of the page, disassemble and check if any debris stuck inside the lock is obstructing.



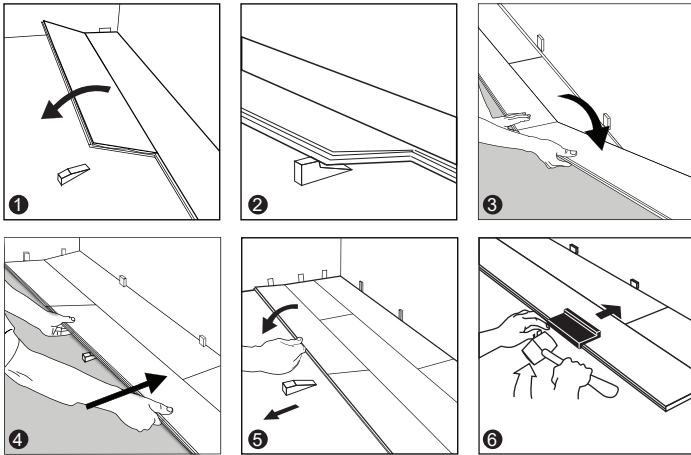
- 3 First row, last plank: At the end of the first row, leave an expansion gap of 1/2" (10mm) to the wall and measure the length of the last plank to fit. Insert the short side and tap it closed, using a pull bar.



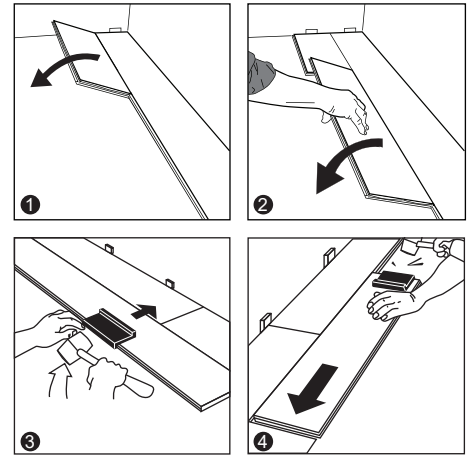
4 If cutting with a jig saw, the laminate surface should be turned down. If cutting with a hand saw, the laminate surface should be face up.



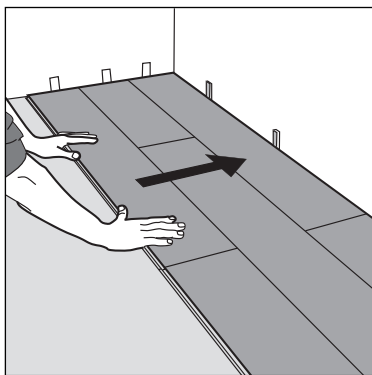
5 Start the second row with the leftover cut part of the last plank of the previous row. This small plank should measure at least 12" (30cm). Otherwise, use another plank that should be cut in two. Short pieces should be cut to at least 12" (30cm).



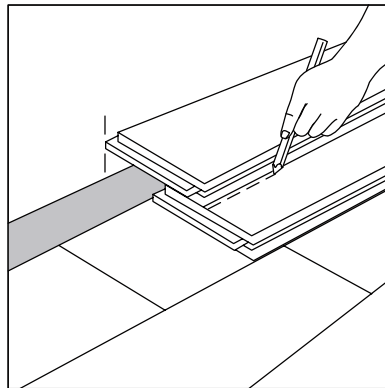
6A Main Method: At slight angle, click the long side of the first plank in each row into the previous row and slide it against the spacer on the wall on the left. Place a spacer under the plank to keep the plank lifted at a slight angle to install the next plank in the row. Place the short end of the plank at an angle against the short side of the previously installed floorboard and fold down. Slide down the long side of the board into the locking groove of the adjacent floorboard in the previous row. When the whole row is complete, remove the spacers and fold the row down. Use a tapping block to gently tap along the long side until the joint is closed tightly.



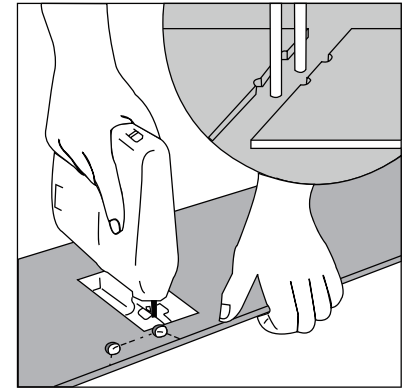
6B Alternative Method: At slight angle, click the long side of the first plank in each row into the previous row and slide it against the spacer on the wall on the left. To complete the row, click the long side of the plank into the the previous row at a slight angle and slide it close to the short end of the previous plank. Use a tapping block to gently tap along the long side until the joint is closed tightly, then tap in the short side of the second plank using the tapping block to into a locked position. Note: Uneven tapping or use of excessive force may damage the joint.



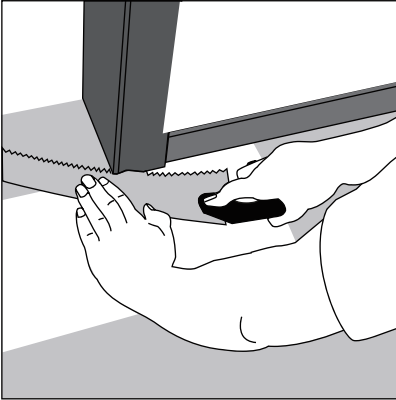
7 After 2-3 rows. Adjust the distance to the front wall by leaving an expansion gap of 1/2" (10mm). Always ensure that the end joints are staggered at least 12" (30cm) from one row to the next.



8 To lay the last row: position a loose board exactly on top of the last row installed. Place another board on top, with the tongue side touching the wall. Draw a line along the edge of this boards, to mark the first board. Cut along this line to obtain the required width. Install the long side tongue into the groove with the end joint aligned. Using a pull bar and hammer, work evenly along the length of the plank and lightly tap the joint closed.



9 Holes for pipes: measure the diameter of the pipe and drill a hole that is 7/8" (20mm) larger into the plank. Saw the plank into two pieces perpendicular to the length and bisecting the previously drilled hole. Then lay the two pieces in place around the pipe.



- ⑩ Door molding and skirting: lay a board (with the decorative side down) next to the door molding and as shown in the figure. Then slide the floorboard under molding.

For Bathroom, Laundry Room or Commercial Installations

It is important to seal any cut planks to ensure superior and warranted performance. When a flooring plank is cut to fit (either end cuts or side cuts), a sealant is always required around the perimeter of the installation.

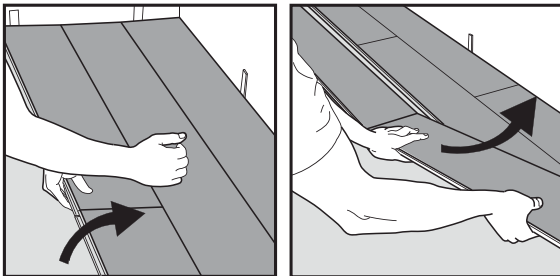
Once the flooring installation is completed, first fill all expansion spaces with 3/8" compressible PE foam backer rod and cover with a general silicone-based sealant (DO NOT use acrylic sealant). This should also include any other areas such as islands, doorways, columns, etc. where the laminate flooring planks have been cut to fit.

III. Maintenance

Maintenance and Care Damage resulting from improper care and maintenance of the floor are not covered by warranty.

1. Sweep or vacuum using soft bristle attachments
2. Remove any spills, including pet accidents, promptly upon discovery and do not allow to dry. Never flood the floor with water.
3. Occasionally wet mop with water only, using a well wrung out, damp mop; do not pour liquid directly on your floor or use an excessively wet mop that will puddle or heavy moisture standing on the floor.
4. The use of residential steam mops on this product is allowed if used at lowest power setting with a suitable soft pad and then move the mop along the floor in even strokes. Holding a steam mop on one spot for an extended period of time should be avoided. Please see warranty for details. Refer to the steam mop's manufacturer instructions for proper usage.
5. Do not use detergents, abrasive cleaners, soaps, oils, waxes or polishes. For tough spots, use damp cloth or apply a little alcohol on a clean cloth and rub to remove the spot.
6. Do not use steel wool or scouring powder which will scratch the floor.
7. When moving furniture, lift and never slide the furniture over the floor and always use felt floor protectors. Place walk-off mats at entrances (but do not use mats with a rubber backing).

IV. Disassembling



Separate the whole row by lifting it up delicately at an angle. To separate individual plank end-joints within a row, rotate the plank upward to disassemble.

IMPORTANT HEALTH NOTICE FOR MINNESOTA RESIDENTS ONLY: THESE BUILDING MATERIALS EMIT FORMALDEHYDE. EYE, NOSE, AND THROAT IRRITATION, HEADACHE, NAUSEA AND A VARIETY OF ASTHMA-LIKE SYMPTOMS, INCLUDING SHORTNESS OF BREATH, HAVE BEEN REPORTED AS A RESULT OF FORMALDEHYDE EXPOSURE. ELDERLY PERSONS AND YOUNG CHILDREN, AS WELL AS ANYONE WITH A HISTORY OF ASTHMA, ALLERGIES, OR LUNG PROBLEMS, MAY BE AT GREATER RISK. RESEARCH IS CONTINUING ON THE POSSIBLE LONG-TERM EFFECTS OF EXPOSURE TO FORMALDEHYDE. REDUCED VENTILATION MAY ALLOW FORMALDEHYDE AND OTHER CONTAMINANTS TO ACCUMULATE IN THE INDOOR AIR. HIGH INDOOR TEMPERATURES AND HUMIDITY RAISE FORMALDEHYDE LEVELS. WHEN A HOME IS TO BE LOCATED IN AREAS SUBJECT TO EXTREME SUMMER TEMPERATURES, AN AIR-CONDITIONING SYSTEM CAN BE USED TO CONTROL INDOOR TEMPERATURE LEVELS. OTHER MEANS OF CONTROLLED MECHANICAL VENTILATION CAN BE USED TO REDUCE LEVELS OF FORMALDEHYDE AND OTHER INDOOR AIR CONTAMINANTS. IF YOU HAVE ANY QUESTIONS REGARDING THE HEALTH EFFECTS OF FORMALDEHYDE, CONSULT YOUR DOCTOR OR LOCAL HEALTH DEPARTMENT.



Instrucciones de instalación de ancho mixto

I. Antes de comenzar/Preparaciones

Lea todas las instrucciones antes de comenzar la instalación. La instalación inadecuada anulará la garantía.

Aviso importante

Cada aplicación e instalación es diferente, por lo tanto, recomendamos que el cliente consulte a un instalador / contratista con licencia para verificar que las condiciones y la aplicación cumplan con los requisitos locales o las expectativas de la industria. Las pautas de instalación no tienen la intención de reemplazar las regulaciones federales, estatales o locales que pueden requerir la modificación de la instalación, los materiales o los componentes estructurales existentes. El propietario asume la responsabilidad del cumplimiento de todos los códigos de construcción, incluido el mantenimiento de la distancia requerida de las fuentes de calor, como las chimeneas.

Todos los productos de madera, incluso los que se han diseñado específicamente para ser más resistentes a la humedad, son higroscópicos (reaccionan con la humedad del medio ambiente) y como resultado se expandirán y contraerán de acuerdo a las condiciones medioambientales. Este piso tiene un respaldo preinstalado. Este piso está aprobado para su uso con el contrapiso Sentinel Protect Plus con barrera de vapor incorporada. Se requiere una barrera contra la humedad de película de polietileno de 6 mil sobre el concreto cuando no se usa el contrapiso Sentinel Protect Plus con barrera de vapor incorporada. El uso del contrapiso Sentinel Protect Plus debajo del producto está garantizado solo para aplicaciones residenciales, incluidas viviendas multifamiliares y condominios (solo unidades residenciales). No utilice ningún contrapiso adicional en aplicaciones comerciales (por ejemplo, áreas industriales, vestíbulos comerciales, restaurantes, etc.) o en áreas con cargas rodantes pesadas. El uso de contrapiso adicional en aplicaciones comerciales como estas anulará la garantía. No instale este piso sobre alfombra. Es importante que controle cada uno de los tablones para detectar defectos de fabricación. Cualquier falla se debe informar a la tienda donde compró el producto para obtener un reembolso inmediato o un reemplazo antes de instalar el piso.

- Calcule la superficie de la habitación antes de la instalación y planifique un 10 % adicional de piso para los desperdicios.
- En la mayoría de los casos, este producto puede ser instalado inmediatamente y no necesita aclimatación. Si la humedad relativa en la habitación es inferior al 35% o por encima del 70%, El producto se debe aclimatar poniendo las cajas sin abrir en la habitación donde el suelo se va a instalar durante 24 horas. La temperatura de la habitación debe estar entre 60-78°F (18-25°C) durante la instalación y, si lo requiere, durante la aclimatación.
- Los niveles de humedad relativa de su habitación deben mantenerse entre 35 %-70 % a 65-78 °F (18-25 °C).
- Para superficies del piso que superen los 6400 pies cuadrados (600m²) y/o longitudes que superen los 80 pies (24 m) y que se superpongan en habitaciones nuevas y superficies de piso que no queden unidas en forma simétrica, usar las juntas de expansión para dividir secciones del piso.
- No instale gabinetes u objetos fijos sobre el piso. Se requiere un espacio de expansión apropiado 1/2" (12 mm). Cortes debajo de las jambas de las puertas.
- Inspeccione el contrapiso antes de comenzar. Debe estar limpio, seco (máx. 2,5 % de contenido de humedad - método CM) y tener un nivel de 3/16" (5 mm) dentro de 10 pies (3 metros) de extensión.
- Si la intención es instalar este piso sobre un piso de madera existente, es recomendable reparar cualquier tabla que pueda estar floja o que cruja antes de comenzar la instalación.
- Con un piso flotante, siempre debe asegurarse de dejar un espacio de 1/2" (1 cm) entre las paredes y los elementos, como tuberías y columnas, escaleras, etc. Consejo: Al realizar la instalación alrededor de tuberías, perfore los orificios 3/4" (20 mm) más grandes que el diámetro de las tuberías.
- Se debe instalar una barrera de vapor sobre los sustratos de concreto. En caso de que la instalación se realice sobre un sustrato de madera en o debajo de grado, se debe instalar una barrera de vapor, si es que no hay una barrera de vapor existente en un espacio interior del piso bien ventilado. Se debe usar una lámina de polietileno de como mínimo 6 mil (0,15 mm) como barrera de la humedad.
- Decida la dirección en la que realizará la instalación. Es recomendable instalar la dirección del largo de los tablones paralelo a la dirección de la luz principal.
- Mida el área donde realizará la instalación: El ancho del tablón de la última fila no debe ser menor a 2" (50 mm). Si fuera así, ajuste el ancho de la primera fila que instalará. Cuando mida, tenga en cuenta el requisito del espacio para expansión de aproximadamente 1/2" (10 mm) del perímetro del piso. En pasillos angostos, instale el piso paralelo a la dimensión más larga.
- Antes de cualquier instalación, Inspeccione todo el material bajo la luz del día para daños/defectos, incluyendo diferencias en color o brillo ; verifique las esquinas del piso en rectitud y cualquier otro defecto o daño. No se aceptarán reclamos por defectos de la superficie después de la instalación.

AVISO IMPORTANTE

Calefacción por losa radiante: El piso se puede instalar sobre losa radiante empotrada de 1/2" (12 mm). Los sistemas de calefacción radiante deben tener una separación mínima de 1/2" (12 mm) del producto. La temperatura de funcionamiento máxima nunca debe superar los 85 °F (30 °C). Se recomienda el uso de un sensor de temperatura dentro del piso para evitar el sobrecalentamiento.

- Antes de realizar la instalación sobre sistemas de losa radiante nuevos, ponga el sistema en funcionamiento en su capacidad máxima para forzar la evaporación de cualquier humedad residual de la capa de cemento sobre el sistema de calefacción por radiación. El contenido máximo de humedad debe ser de 2,5 % (método CM). Antes de comenzar la instalación, debe apagar la calefacción 24 horas antes, durante y 24 horas después de la instalación.
- Asegúrese de que la temperatura de la habitación esté entre 60 °F (15 °C) y 80 °F (25 °C) durante la instalación.
- Una vez que se haya completado la instalación, el sistema de calefacción se debe encender y se debe subir gradualmente la temperatura (en incrementos de 5 grados) hasta que regrese a las condiciones de funcionamiento normal.
- Consulte las recomendaciones del fabricante del sistema de calefacción radiante para obtener guía adicional.

Advertencia: Las láminas de calefacción eléctrica que no están empotradas en el contrapiso no son recomendables para uso debajo del piso. El uso de láminas de calefacción eléctricas que no estén empotradas y que se apliquen directamente debajo del piso anulará la garantía.

II. Pasos de Instalación

Herramientas y artículos adicionales

- Carpeta de Espuma • Espaciadores • Sierra • Cinta adhesiva • Barrera de vapor de 6mil (0.15mm) para espacios vacíos y para la instalación en pisos de concreto • Mazo de caucho • Regla • Lápiz • Tapping Block • Cuchillo • Mascara NIOSH • Guantes • Lentes de seguridad • Protección auditiva

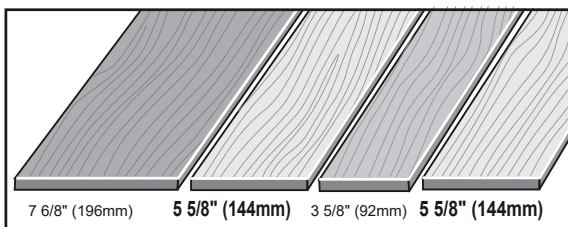
PRECAUCIÓN DE SEGURIDAD: UTILICE GAFAS Y GUANTES DE SEGURIDAD CUANDO CORTE ESTE PRODUCTO. DURANTE EL PROCESO DE CORTE, EL LAMINADO PUEDE CREAR POLVO DE MADERA; ASEGÚRESE DE INSTALARLO EN UN ÁREA BIEN VENTILADA.



ATENCIÓN:

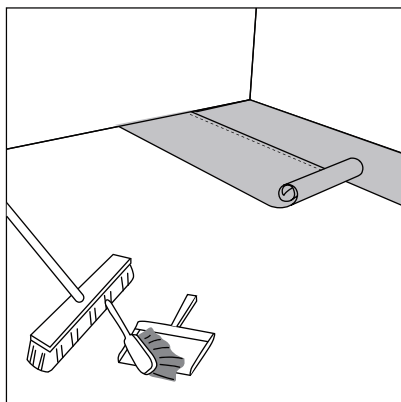
Use un tablón de 5 5/8" de ancho (144mm) en cada fila intermedia

La otra parte de esta colección es de anchos mezclados elaborada con tres anchos diferentes 92-144-196mm. Cada caja está constituida del doble de tablonces de 144mm comparado con tablonces de 92mm o tablonces de 196mm. Al instalar este producto de anchos mezclados, un tablón de 144mm de ancho DEBE ser usado en cada fila intermedia para reducir desperdicios y crear una apariencia favorable. Esta secuencia debe seguirse durante toda la instalación.

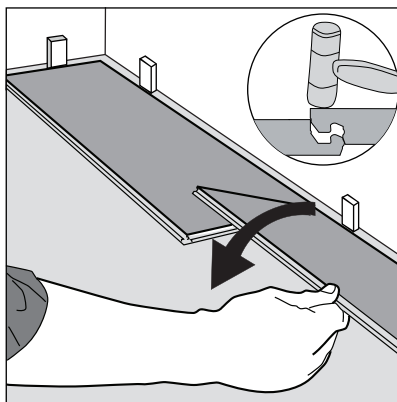


NOTA: Un tablón de 5 5/8" (144mm) de ancho DEBE ser usado en cada fila intermedia. Esta secuencia debe seguirse durante toda la instalación.

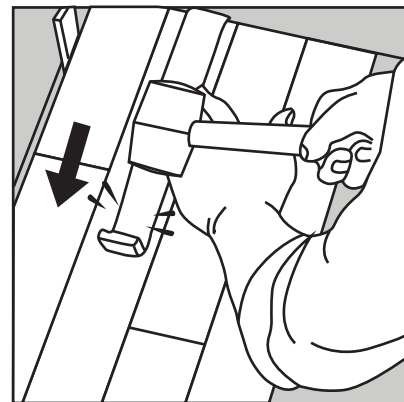
Instalaciones residenciales generales



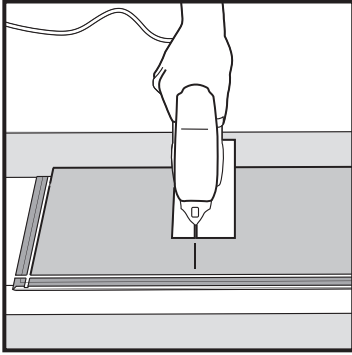
1 Después de limpiar muy bien el contrapiso antes de instalación. Si instala sobre subsuelo de concreto, una lámina de polietileno de como mínimo 6 mil barrera de la humedad. Coloque la base de barrera de humedad en la misma dirección que los tablonces del piso. La base de piso debe estar unida sin superponerse de lado a lado. Coloque cinta en las uniones.



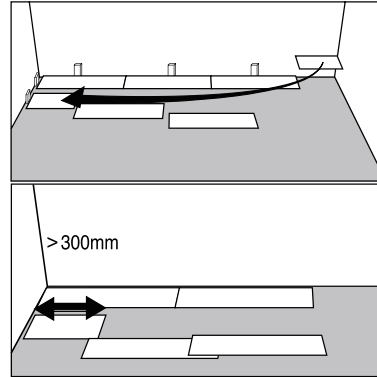
2 Comience a colocar el piso desde la esquina izquierda. Coloque el tablón a 1/2" (10 mm) de la pared izquierda con el lado del tongue hacia la pared. Use separadores entre la pared y el tablón. primera fila. Deje caer el tablón y presione suavemente hacia abajo el extremo con un mazo de goma para que quede trabado firmemente en el tablón anterior hasta que ambos estén a la misma altura. Asegúrese de que ambos tablonces queden perfectamente alineados. NOTA: Si ambos tablonces no están a la misma altura o no quedaron bien trabados entre sí, siga las instrucciones para desarmar en la parte inferior de la página. Desarme los tablonces y verifique si hay algún residuo adentro de la traba que esté.



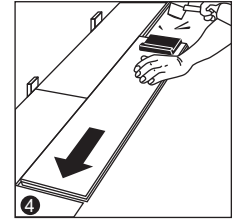
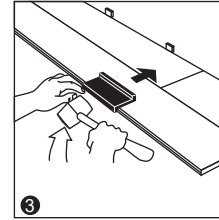
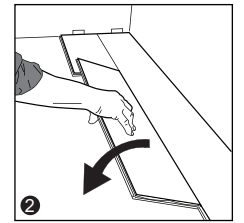
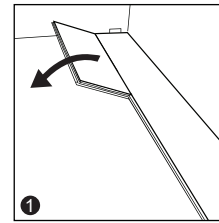
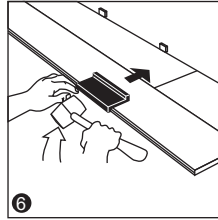
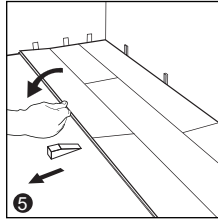
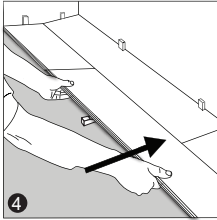
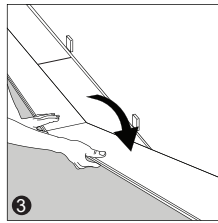
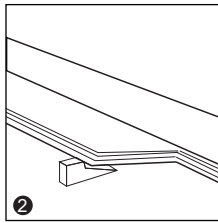
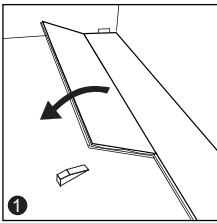
3 Al final de la primera fila, deje un espacio para expansión desde la pared de 1/2" (10 mm) y mida el largo del último tablón que debe entrar ahí.



- ④ Si corta con una sierra caladora, la superficie laminada debe mirar hacia abajo. Si corta con un serrucho, la superficie laminada debe mirar hacia arriba.

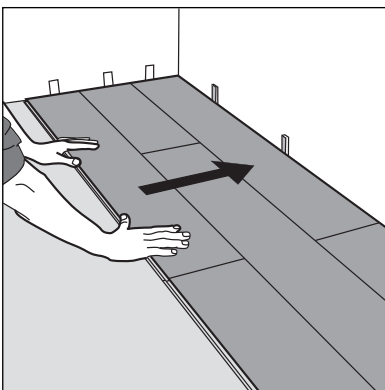


- ⑤ Comience la segunda fila con el corte restante del último tablón de la fila anterior. Este tablón cortado más chico debe medir al menos 12" (30 cm). Caso contrario, use otro tablón y córtelo en dos. Las piezas cortas se deben cortar de forma que tengan al menos 12" (30 cm).

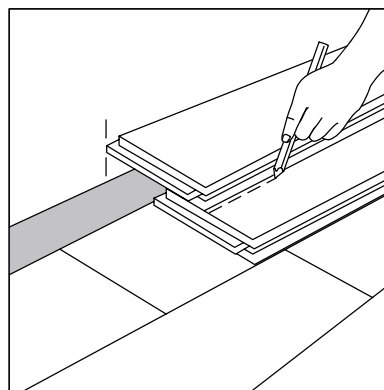


- 6A Método principal:** En cierto ángulo, entable el extremo largo del primer tablón en cada hilera en la hilera previamente instalada y deslice el espaciador en la pared en el lado izquierdo. Coloque el espaciador debajo del tablón para mantener el tablón elevado a cierto ángulo para instalar el siguiente tablón en la hilera. Coloque el extremo corto del tablón en cierto ángulo contra el extremo corto del piso previamente instalado y doble hacia abajo. Deslice hacia abajo el extremo largo en el sistema de click de la hilera previamente instalada. Cuando toda la hilera este completa, remueva los espaciadores y doble hacia abajo toda la hilera, use el tapping block para alinear suavemente los extremos largos hasta que las aperturas cierren apretadamente.

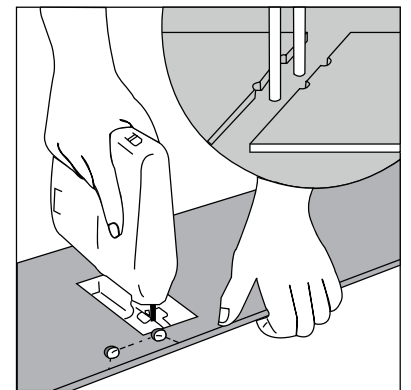
- 6B Método alternativo:** En un pequeño Angulo adjunte el extremo largo del tablón ante la hilera previa y deslice contra el espaciador en la pared en el lado izquierdo. Para completar la hilera, unir en sistema de click en el extremo largo del tablón en la hilera previamente instalada con un pequeño angulo y deslice cerca del extremo corto del tablón anterior. Utilice el tapping block para alinear suavemente los extremos largos hasta que se encuentren bien alineados y unidos, luego utilizar el tapping block en el extremo corto del segundo tablón para encajar en la posición asegurada.
Nota: El uso del tapping block de una manera no uniforme o uso excesivo puede dañar la unión/click.



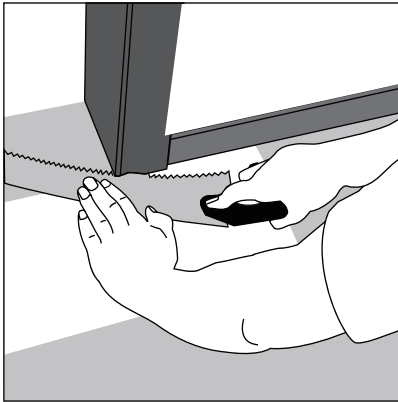
- ⑦ Después de 2-3 filas. Ajuste la distancia con la pared frontal, deje un espacio para expansión de 1/2" (10 mm). Siempre asegúrese de que las juntas de los extremos estén colocadas con un diseño trabado de al menos 12" (30 cm) de una fila a la siguiente.



- ⑧ Para colocar la última fila: colocar un tablón suelto exactamente sobre la última fila instalada. Colocar otro tablón arriba, con el lado de la lengüeta tocando la pared. Dibuje una línea a lo largo del borde de estos tablonces, para marcar el primer tablón. Corte a lo largo del borde de este tablón, para marcar el primer tablón. Corte a lo largo de esta línea para obtener el ancho necesario. Inserte esta tabla cortada contra la pared. La última fila debe tener al menos 2" (50mm) de ancho. Luego se pueden retirar los separadores.



- ⑨ Orificios para tuberías: mida el diámetro de la tubería y realice un orificio que sea 7/8" (20 mm) más grande en el tablón. Corte el tablón en dos piezas perpendicularmente al largo y divida en dos el orificio perforado previamente. Luego, coloque las dos piezas en su lugar alrededor de la tubería.



- 10 Molduras y zócalos de puertas: coloque un tablón (con el lado decorativo hacia abajo) junto a la moldura de la puerta como se muestra en la figura. Luego, deslice el tablón debajo de la moldura.

Para instalaciones en baños, lavaderos o áreas comerciales

Es importante sellar cualquier tablón cortado para garantizar un desempeño superior y garantizado. Cuando se corta un tablón a medida (ya sea si se corta de un extremo o de un lateral), siempre es necesario colocar sellador alrededor del perímetro de la instalación.

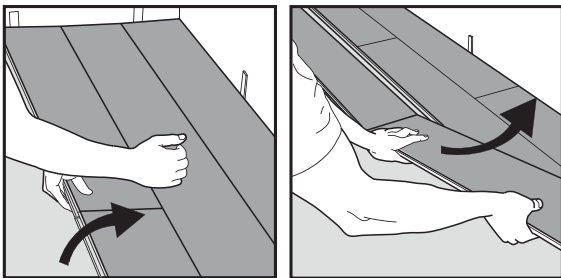
Una vez que se haya completado la instalación del piso, se debe aplicar un sellador general de siliconas alrededor del perímetro (en el espacio de expansión de las paredes). Este sellador también se debe aplicar en cualquier otra área como islas, puertas, columnas, etc. donde se hayan cortado a medida los tabloncillos del piso laminado.

III. Mantenimiento

Mantenimiento y cuidado La garantía no cubre los daños resultantes debido a un cuidado y mantenimiento incorrecto del piso.

1. Barre o aspire con cepillos suaves
2. No permita que la humedad tópicamente permanezca en el piso más allá del tiempo especificado en la garantía del producto. Si se detecta, elimine de inmediato todos los derrames de líquidos y nunca inunde el piso con agua.
3. Ocasionalmente trapee con agua solamente, usando un trapeador bien escurrido; no vierta el líquido directamente en el piso ni use un trapeador excesivamente húmedo que pueda formar charcos o dejar humedad en el piso. Si es necesario, use una solución de una taza de vinagre por galón de agua.
4. El uso de limpiadores a vapor residenciales en este producto está permitido si se usa a la configuración de potencia más baja con una almohadilla suave adecuada y luego mueve el limpiador por el suelo con movimientos uniformes. Se debe evitar mantener un limpiador a vapor en un lugar durante un período de tiempo prolongado. Por favor, consulte la garantía para más detalles. Consulte las instrucciones del fabricante del limpiador a vapor para un uso adecuado.
5. No use detergentes, limpiadores abrasivos, jabones, aceites, ceras o abrillantadores. Para manchas difíciles, use un paño húmedo o aplique un poco de alcohol sobre un paño limpio y frote para quitar la mancha.
6. No use esponjas de acero o limpiadores abrasivos que rayen el piso.
7. Al mover muebles, nunca los arrastre sobre el piso. Levante el mueble del piso y siempre utilice almohadillas de fieltro para muebles.

IV. Desarmado



Para separar toda la fila levántela delicadamente en ángulo. Para separar uniones de los extremos de tablones individuales en una misma fila, déjelos acostados en el piso y deslícelos mientras los separa. Si los tablones no se separan fácilmente, puede levantar levemente los tablones (ángulo de 5°) cuando los desliza y los separa.

AVISO IMPORTANTE DE SALUD SOLO PARA LOS RESIDENTES DE MINNESOTA: ESTOS MATERIALES DE CONSTRUCCIÓN EMITEN FORMALDEHÍDO. SE HA INFORMADO DE IRRITACIÓN EN OJOS, NARIZ Y GARGANTA, DOLORS DE CABEZA, NÁUSEAS Y UNA VARIEDAD DE SÍNTOMAS SIMILARES AL ASMA, INCLUYENDO FALTA DE AIRE, COMO RESULTADO DE LA EXPOSICIÓN AL FORMALDEHÍDO. LAS PERSONAS MAYORES Y LOS NIÑOS PEQUEÑOS, ASÍ COMO CUALQUIER PERSONA CON UN HISTORIAL DE ASMA, ALERGIAS O PROBLEMAS PULMONARES PUEDEN ESTAR EN MAYOR RIESGO. SIGUE LA INVESTIGACIÓN SOBRE LOS POSIBLES EFECTOS A LARGO PLAZO DE LA EXPOSICIÓN AL FORMALDEHÍDO. UNA VENTILACIÓN REDUCIDA PUEDE PERMITIR QUE EL FORMALDEHÍDO Y OTROS CONTAMINANTES SE ACUMULEN EN EL AIRE EN ESPACIOS INTERIORES. LAS TEMPERATURAS ALTAS EN ESPACIOS INTERIORES Y LA HUMEDAD PUEDEN ELEVAR LOS NIVELES DE FORMALDEHÍDO. CUANDO UN HOGAR ESTÁ SITUADO EN ZONAS SUJETAS A TEMPERATURAS EXTREMAS DURANTE EL VERANO, SE PUEDE UTILIZAR UN SISTEMA DE AIRE ACONDICIONADO PARA CONTROLAR LOS NIVELES DE TEMPERATURA EN ESPACIOS INTERIORES. PUEDEN UTILIZARSE OTROS MEDIOS CONTROLADOS DE VENTILACIÓN MECÁNICA PARA REDUCIR LOS NIVELES DE FORMALDEHÍDO Y OTROS CONTAMINANTES DEL AIRE EN ESPACIOS INTERIORES. SI TIENE ALGUNA PREGUNTA SOBRE LOS EFECTOS EN LA SALUD DEL FORMALDEHÍDO, CONSULTE A SU MÉDICO O DEPARTAMENTO DE SALUD LOCAL.