



CONNEXION™

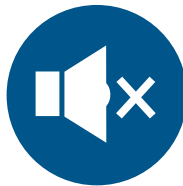
UNDERLAYMENT

USE WITH CONNEXION QUICK-LOCK PORCELAIN TILE

ALSO APPROVED FOR USE WITH:

- RIGID CORE FLOORING*
- LUXURY VINYL TILE/PLANK

1mm, 100 SF Roll
Item. 0265228



SOUND
REDUCTION



MOISTURE
PROTECTION



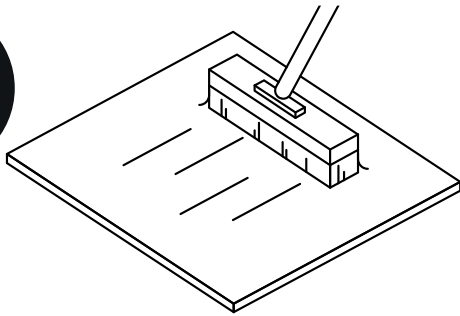
BUILT-IN
LIP & TAPE



* Adhere to your Rigid Core
Flooring installation instructions.

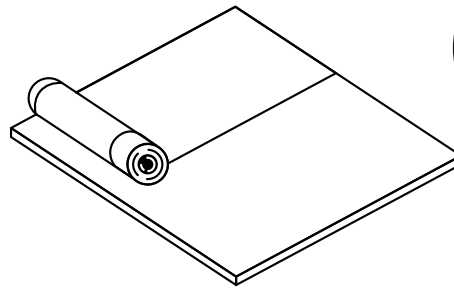
Installation Instructions: Connexion™ Underlayment

1



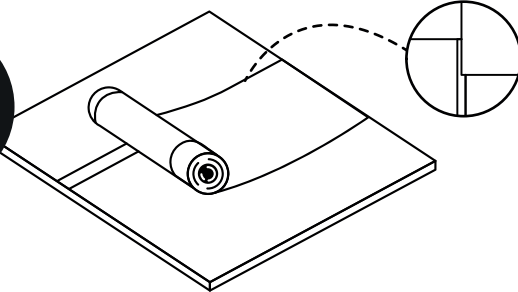
Make sure the subfloor is structurally sound, level and is free of dust and debris. Check for protruding nails and/or defects in the subfloor. If installing over concrete, the concrete must be dry with moisture emission rates that do not exceed 3lbs. per 1000 square feet per 24 hours as measured by the Anhydrous Calcium Chloride Test.

2



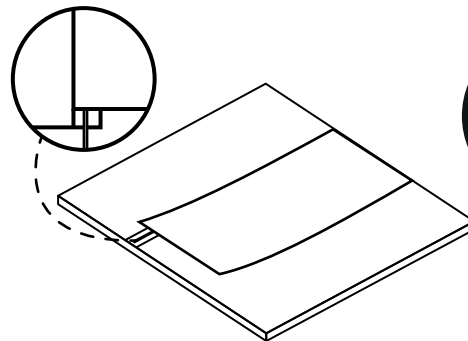
Start in a corner with tape strip side next to wall and overlapping film toward the open room. Install Connexion™ Underlayment (film side down) parallel to the wall in the opposite direction as you plan to install the flooring.

3



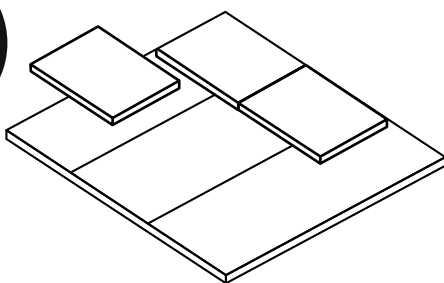
Be sure to unfold the film, extending it 3" from the foam. Roll out the next roll of Connexion™ Underlayment in the same manner, making sure that the foam seams are butted together. Be sure to overlap only the moisture barrier lip and not the foam pad.

4



Remove the adhesive liner and adhere the foam to the film overlap.

5



Install the flooring per manufacturer's instructions.

For more information about
CONNEXION™ flooring systems

Visit us at flooranddecor.com

Or follow us



FOR QUICK-LOCK PORCELAIN TILE

CONNEXIONTM
UNDERLAYMENT