

Dimension: 2.1" w x 1.0" h

SNO2

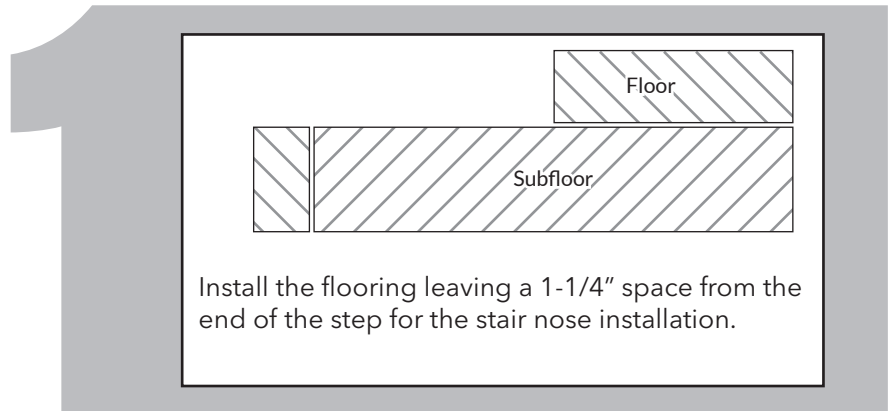
LAMINATE

STAIR NOSE

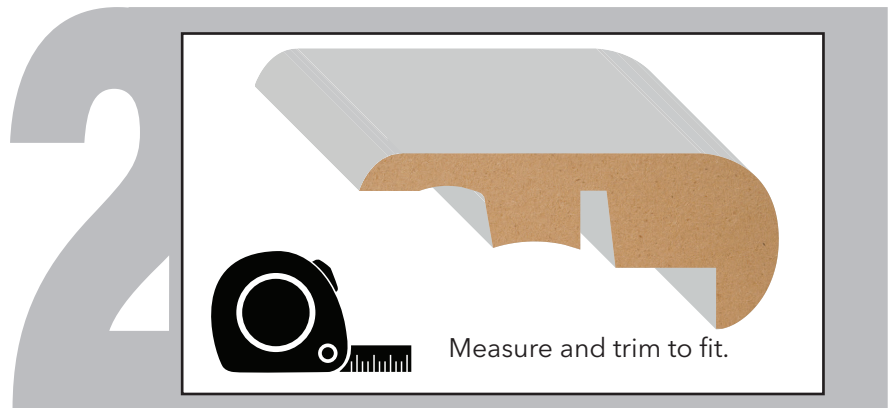
Finishes the end of a step.

Used with floors 10-12mm in height.

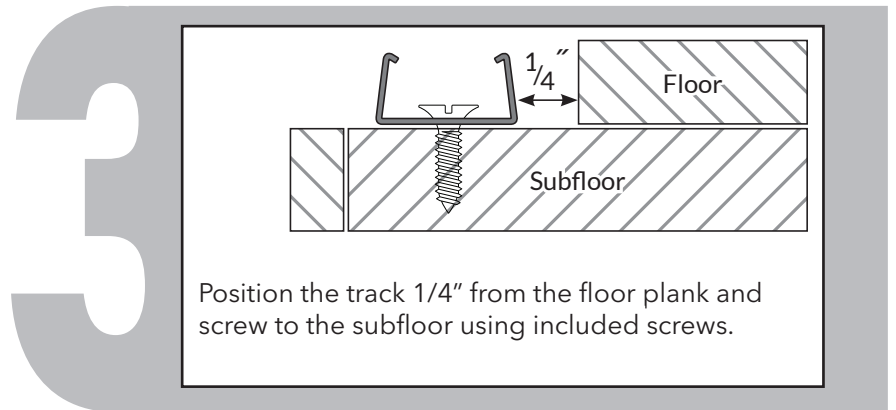
Surface: Wear resistant laminate
Core Material: Moisture resistant MDF



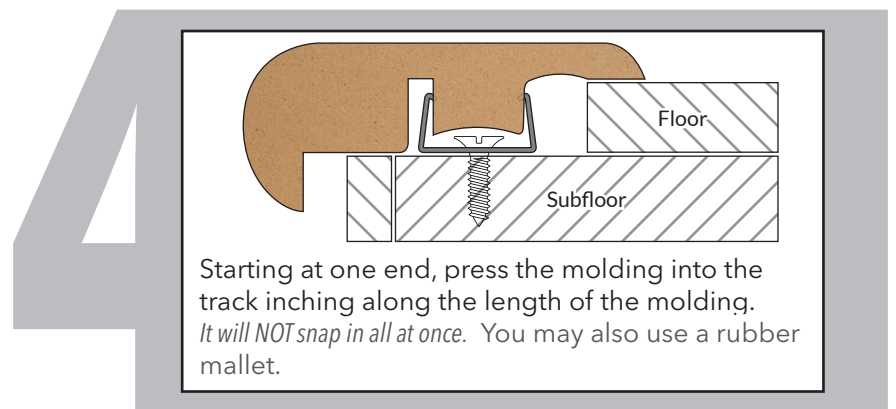
Install the flooring leaving a 1-1/4" space from the end of the step for the stair nose installation.



Measure and trim to fit.



Position the track 1/4" from the floor plank and screw to the subfloor using included screws.



Starting at one end, press the molding into the track inching along the length of the molding. *It will NOT snap in all at once.* You may also use a rubber mallet.