

Prior to Installation

Inspection

The Product must be opened and inspected upon delivery to the project site to ensure product quality meets expectations prior to installation

Storage

- DO NOT store boards outside in excessively dry or moist environments or in direct contact with a source of heat
- Store the countertop in a flat position or standing at a sharp angle vertically to avoid warping during the acclimation process

Acclimation

Wood Countertops must be acclimated to the environment of the installation site before installation can begin

- A minimum of 72 hours acclimation time or until the product has reached a Moisture Content within 5% of the Relative Humidity level of the installation environment
- Relative humidity of the installation environment should be maintained between 35% and 55%
- Temperature of the environment should be maintained between 65 and 75 degrees Fahrenheit
- All packaging should be carefully removed prior to beginning the acclimation process

Application of Finishing Materials to Countertop (Best if done prior to Installation)

Sanding

- To obtain the desired level of texture it is best to use an Orbital or Belt Sander starting with Sand Paper Grit levels between 360 & 600.
- After each Sanding inspect the material for desired texture level before proceeding to use the next level of Sandpaper. Recommend to start with 360 and work toward using 600 level paper for fine detail sanding.

Application of Mineral Oil

- Apply the Mineral Oil strictly following the manufacturers recommendations and follow all maintenance considerations as outlined by the Manufacturer.

Application of Poly Urethane (Food Safe)

- Apply the Poly Urethane strictly following the manufacturers recommendations and follow all maintenance considerations as outlined by the Manufacturer.
- DO NOT use the surface of your Wood Countertop as a cutting or slicing surface if using Poly Urethane.

Installation Instructions

It is important to know that Wood Countertops are a Natural Wood Product and due to changing Temperatures and Humidity Levels they will continue to expand and contract during their useful life.

Installation must allow the top to move during these changing conditions.

Materials Needed:

- Drill
- 5/32 Drill Bit and Drill bit Stop Collar
- #10 Screws
 - Appropriate length is determined by combining ½ of the countertop depth with the depth of the material that the Countertop will be connected to (Sub-Top)
- #10 Washers
 - Width must exceed the width of the Pilot Hole that will be drilled into the sub-top

Measuring for Installation:

- It is always recommended to create a template to ensure the most accurate cuts are made
- Always leave an expansion of 1/8 inch on all edges that will meet up to a wall or a restrictive barrier
 - Use Acid Free Silicone Caulking or a Backsplash/Trim to fill the 1/8 inch expansion gap
- Verify Measurements before making the necessary cuts to the product

Installation and Mounting: Diagram 1

- Place the Countertop in place and verify spacing and cuts are accurate
- Minimal mounting is needed. The Countertop must be able to expand and contract with Moisture and Temperature Variation.
- Measure the thickness of the sub-top surface and then add to that ½ of the countertop thickness depth. Adjust the Drill bit stop collar to on the 5/32 bit to the total depth of the Sub-Top base and ½ the thickness of the countertop.
- Now you will drill the pilot hole using the 5/32 drill bit through the sub-top and into the countertop to
 - It is important to drill the pilot hole before mounting the countertop to avoid splitting the wood of the countertop during the mounting process
- Remove the countertop from the Mounting surface
- Now using the 3/8 Drill bit you will need to enlarge the pilot holes created with the 5/32 bit
 - This step is very important as it allows the countertop to expand and contract after installation
- Place the countertop back in the desired location and line up the pilot holes on the countertop to the Sub-Top holes that were previously drilled
- Using the #10 Screws and the #10 Washers secure your countertop to the Sub-Top surface.
 - Be careful not drill past the depth of the pilot holes and penetrate the surface of the countertop

Additional Considerations for Installation:

- **Wood Countertop Backsplash installation**
 - Follow the same installation instructions as above, but the Wood Countertop becomes the sub-top in which you will be mounting the backsplash.
 - Adhere the backsplash using only Acid Free Silicone Caulking
- **Installation Applications that involve Kitchen Appliances**
 - If the installation grade is above a dishwasher or other kitchen appliances that will put off excessive moisture it is recommended to install a layer of aluminum foil to the back of the Countertop prior to mounting the countertop to the sub-top to provide additional protection from moisture changes
 - If the installation is in contact with an oven or a Microwave it is recommended to install a layer of insulation between the appliance and countertops before securing the countertop to the sub-top

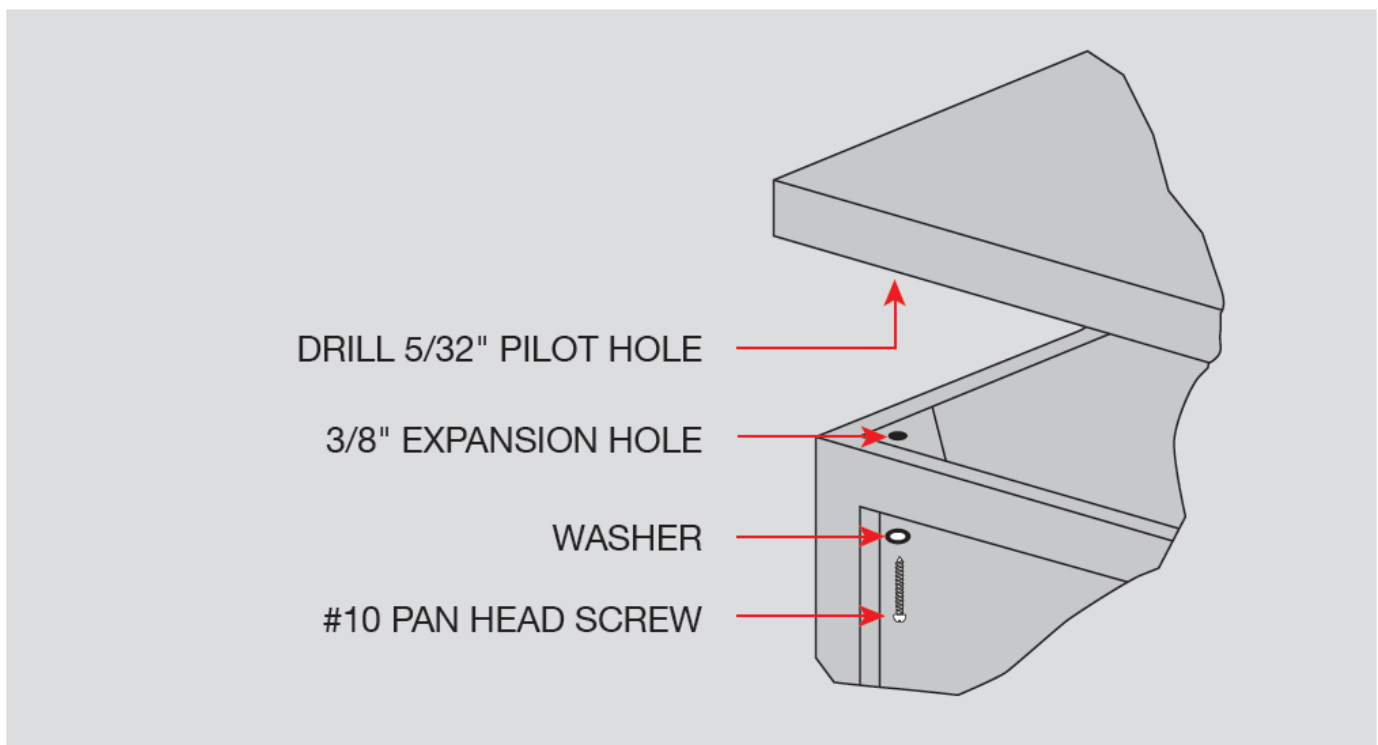
- **Sink Inserts**
 - Sinks are generally associated with elevated moisture levels, therefore additional steps must be taken to ensure maximum product life from your Wood Countertop
 - It is recommended to use a Polyurethane-based lacquer or Varnish as the sealing agent around the sink as mineral oil finishing may not provide the necessary protection needed
 - The fitting of sinks and cooktops must not restrict the movement of the countertop. Ensure that there is a ¼ inch clearance around all sink or cooktop applications.
 - Rubberized Acid Free Joint sealer should be used in all sink applications to form a water tight bond between the countertop and the sink.
- **Additional Considerations:**
 - DO NOT attach Manor House Wood Countertops to an existing countertop
 - DO NOT glue Manor House Wood countertops down to fix their position. This will likely result in damage during Temperature and Humidity changes.

Care and Maintenance:

Wood Countertops are generally an unfinished material and will require finishing to ensure the life expectancy of the product. Ongoing maintenance will be dependent upon the finishing option chosen. **Always follow the manufacturer of the finishing material chosen recommended application instructions and maintenance recommendations.**

- All Wood Countertops should be finished prior to installation
 - Test the finishing option you have chosen on the underside of the Countertop to ensure that the appearance is suitable to desired outcome
- If the Countertop will be used in the kitchen it is important to use Food Safe finishing options.

DIAGRAM 1



Notifications and Disclaimers:

SAFETY CAUTION: USE SAFETY GLASSES AND GLOVES WHEN CUTTING THIS PRODUCT. THE CUTTING PROCESS MAY CREATE WOOD DUST; BE SURE TO INSTALL IN A WELL-VENTILATED AREA.

WARNING: Drilling, sawing, sanding or machining wood products generates wood dust, a substance known to the State of California to cause cancer. Avoid inhaling wood dust or use a dust mask or other safeguards for personal protection.

IMPORTANT HEALTH NOTICE FOR MINNESOTA RESIDENTS ONLY:

THESE BUILDING MATERIALS EMIT FORMALDEHYDE. EYE, NOSE, AND THROAT IRRITATION, HEADACHE, NAUSEA AND A VARIETY OF ASTHMA-LIKE SYMPTOMS, INCLUDING SHORTNESS OF BREATH, HAVE BEEN REPORTED AS A RESULT OF FORMALDEHYDE EXPOSURE. ELDERLY PERSONS AND YOUNG CHILDREN, AS WELL AS ANYONE WITH A HISTORY OF ASTHMA, ALLERGIES, OR LUNG PROBLEMS, MAY BE AT GREATER RISK. RESEARCH IS CONTINUING ON THE POSSIBLE LONG-TERM EFFECTS OF EXPOSURE TO FORMALDEHYDE. REDUCED VENTILATION MAY ALLOW FORMALDEHYDE AND OTHER CONTAMINANTS TO ACCUMULATE IN THE INDOOR AIR. HIGH INDOOR TEMPERATURES AND HUMIDITY RAISE FORMALDEHYDE LEVELS. WHEN A HOME IS TO BE LOCATED IN AREAS SUBJECT TO EXTREME SUMMER TEMPERATURES, AN AIR-CONDITIONING SYSTEM CAN BE USED TO CONTROL INDOOR TEMPERATURE LEVELS. OTHER MEANS OF CONTROLLED MECHANICAL VENTILATION CAN BE USED TO REDUCE LEVELS OF FORMALDEHYDE AND OTHER INDOOR AIR CONTAMINANTS. IF YOU HAVE ANY QUESTIONS REGARDING THE HEALTH EFFECTS OF FORMALDEHYDE, CONSULT YOUR DOCTOR OR LOCAL HEALTH DEPARTMENT.