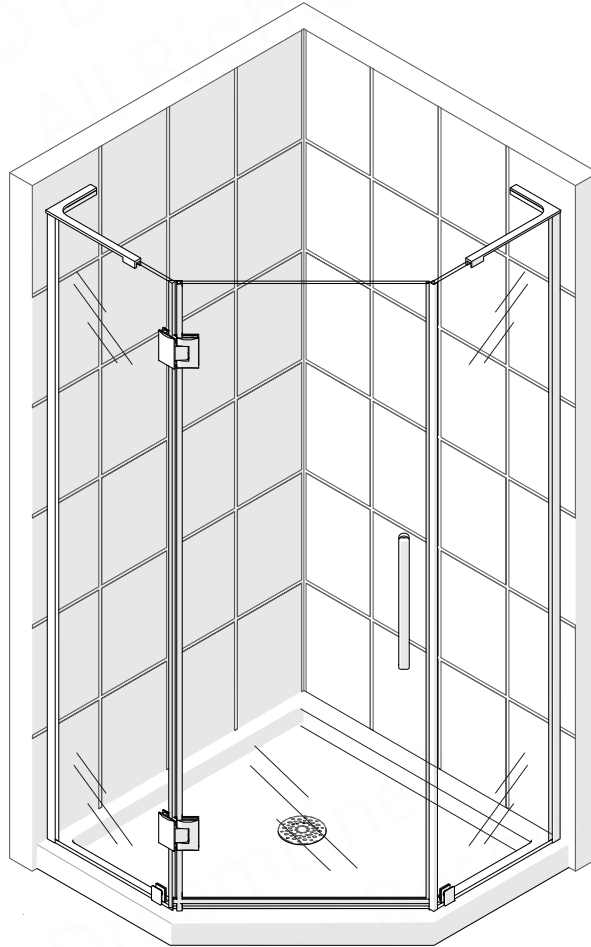




PRISM PLUS

SHOWER ENCLOSURE INSTALLATION INSTRUCTIONS

PLEASE REVIEW THIS ENTIRE MANUAL PRIOR TO INSTALLATION



(Left-swing door installation shown)

MODEL #s

- SHEN-2634340-##
- SHEN-2636360-##
- SHEN-2638380-##
- SHEN-2640400-##

##=finish

- 01- Chrome
- 04- Brushed Nickel
- 06- Oil Rubbed Bronze
- 09- Satin Black

IMPORTANT!

DreamLine® reserves the right to alter, modify or redesign products at any time without prior notice for the purpose of product improvement and customer experience. Please refer to the model's web page on **DreamLine.com** for the latest technical drawings, installation manuals, warranty information or additional product details.

Do Not Return Product to the Store. Contact DreamLine® with any questions



Questions?

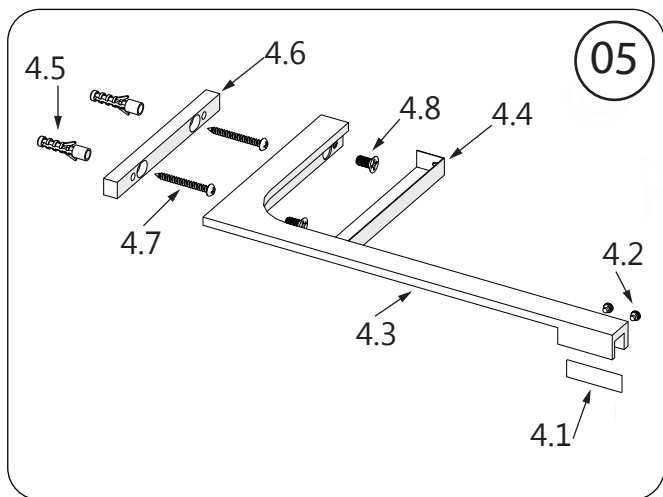
Please Call **DreamLine Customer Support: 1-866-731-2244**
Hours of Operation M-F 8AM - 6PM EST

Support@DreamLine.com



10

L-Bar™ Installation



Left-handed L-Bar™ Support Bracket shown

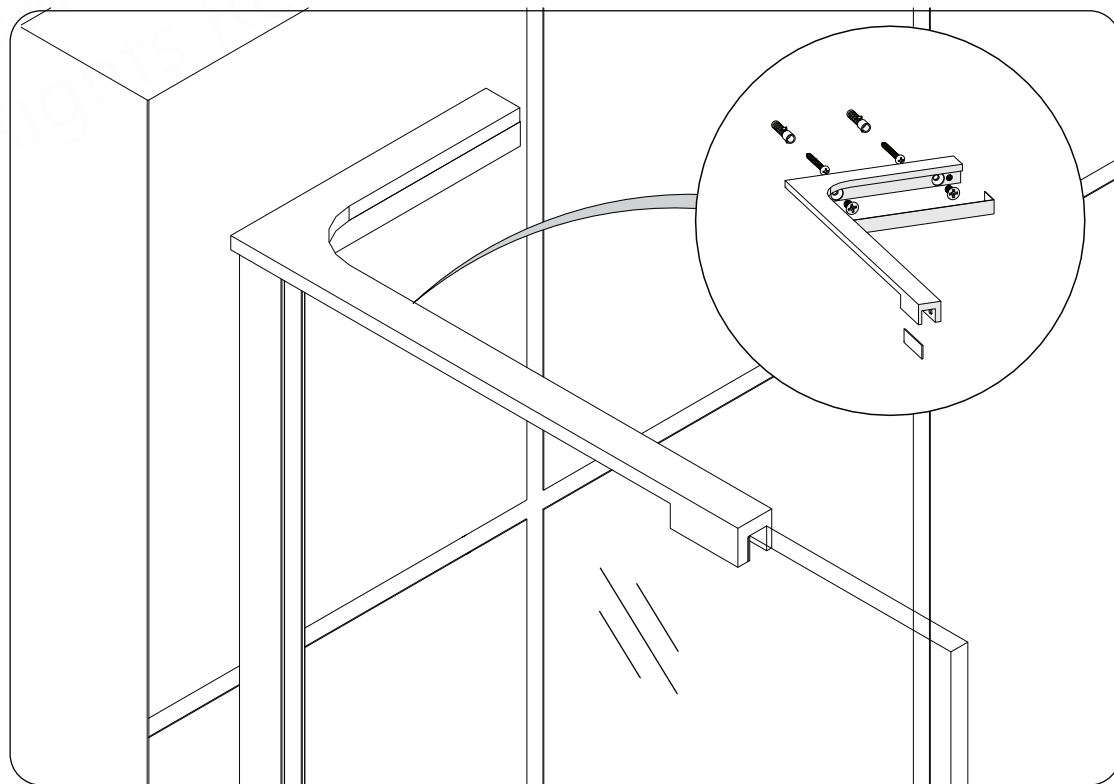
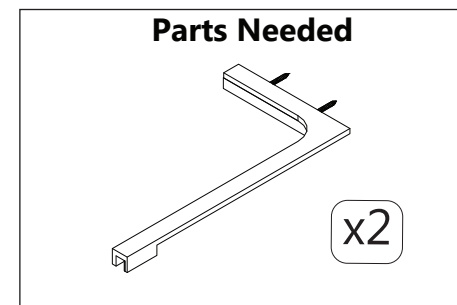


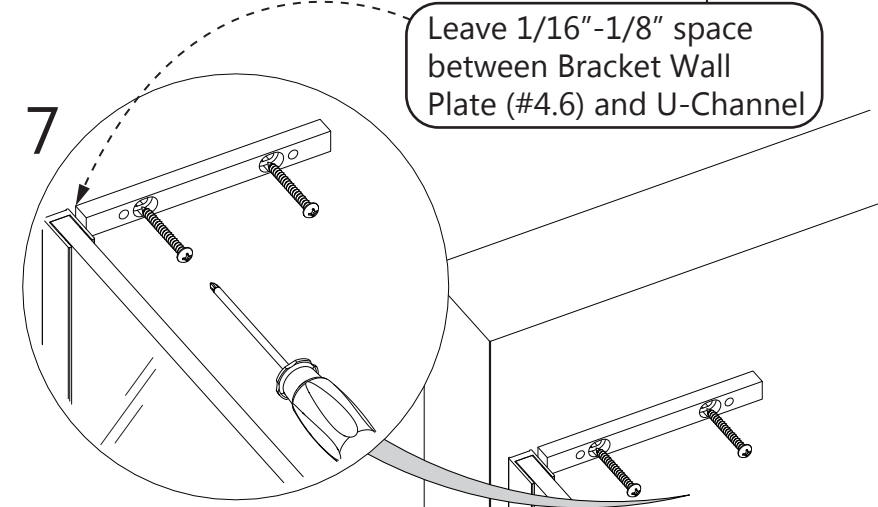
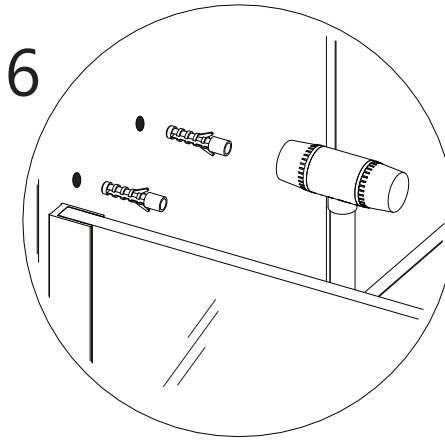
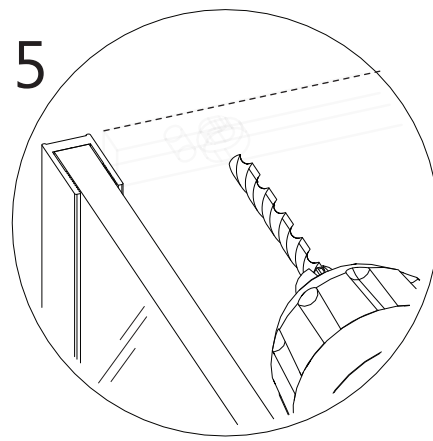
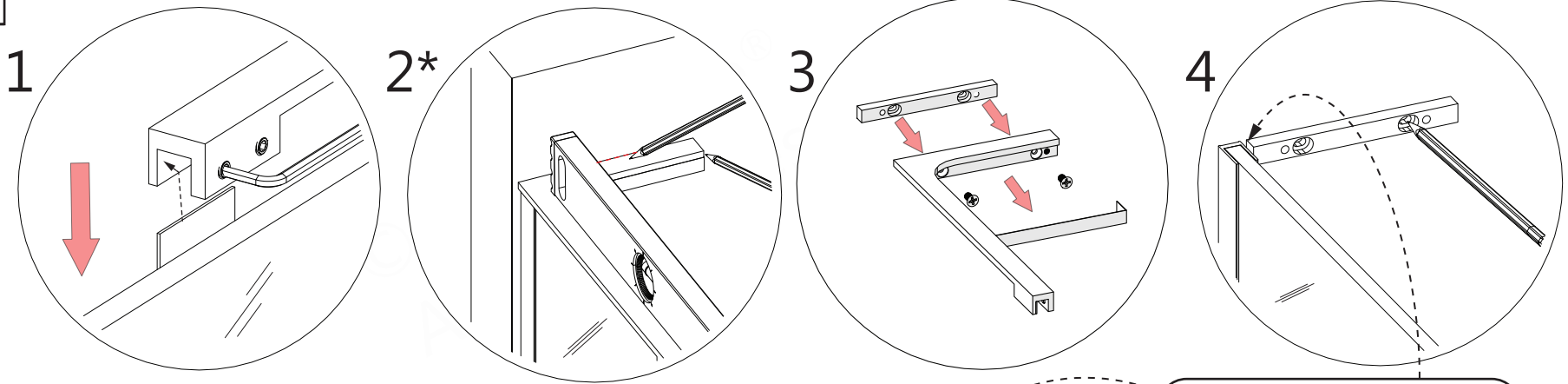
Fig 10

(Left-hand L-Bar™ Support Bracket shown)

Item	Item Description	Quantity
4.1	PVC Spacer 0.5 mm	2pcs
4.2	M5 Rubber-Tipped Set Screw	2pcs
4.3	L-Bar™ Bracket	1pc
4.4	L-Bar™ Bracket Decorative Cover	1pc
4.5	Wall Anchor	2pcs
4.6	L-Bar™ Bracket Wall Plate	1pc
4.7	Truss Head Screw ST4.2×40	2pcs
4.8	M5×14.5 Screw	2pcs



11



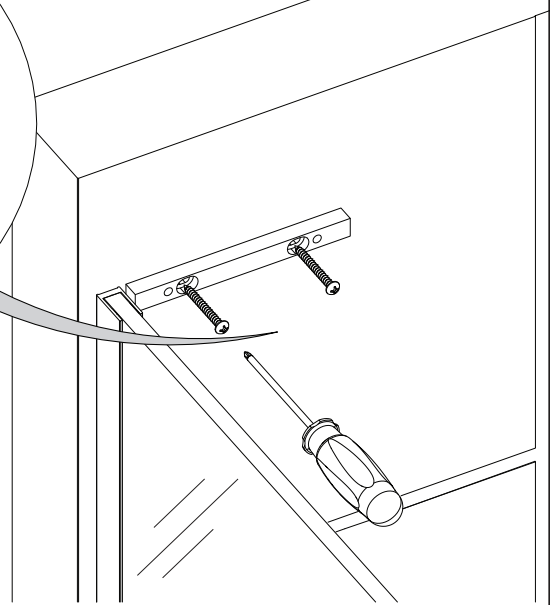
Leave 1/16" - 1/8" space between Bracket Wall Plate (#4.6) and U-Channel

Fig 11

(Left-hand L-Bar™ Support Bracket shown)

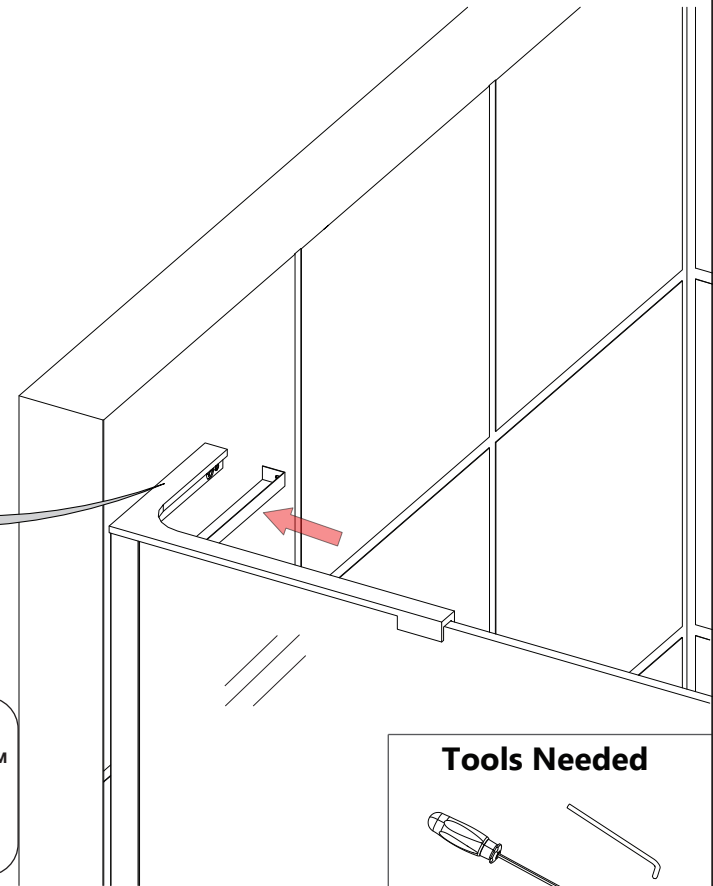
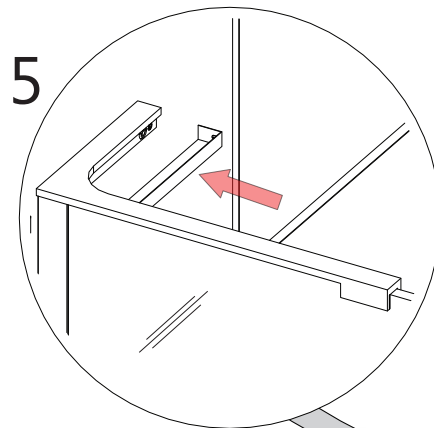
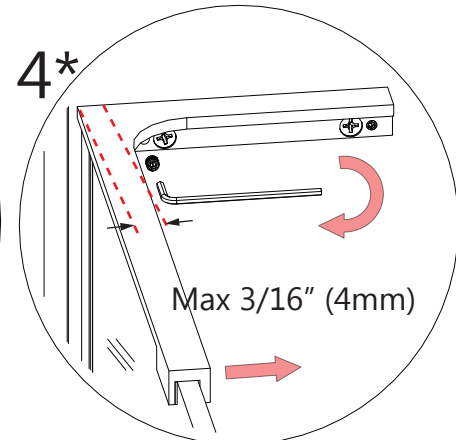
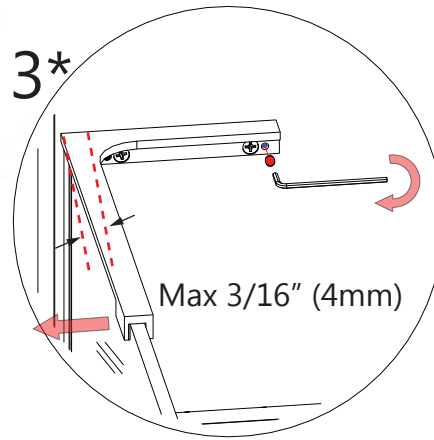
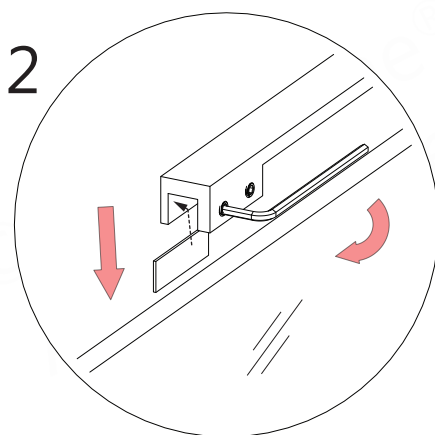
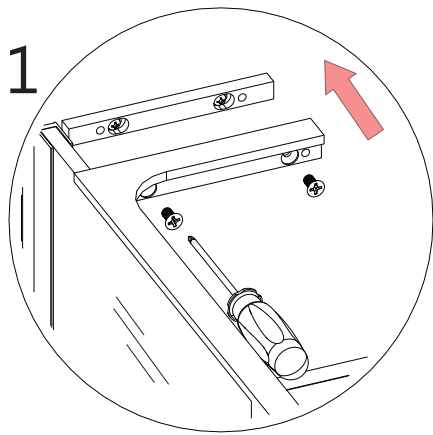


*Leave the L-Bar™ decorative cover attached when marking the L-Bar™ position on the wall to allow space (1/16" - 1/8") to re-attach the cover plate after installation.



Tools Needed

12



(Left-hand L-Bar™ Support Bracket shown)

NOTE

* To adjust the angle of the **L-Bar™**: Loosen the **M5 x 14.5 screws**, rotate the appropriate set screw (**See Fig 12.3 and 12.4**) to adjust the angle of the **L-Bar™** (up to 3/16" (4mm)) in the desired direction. Hand tighten the **M5 x 14.5** screws after adjustment is complete and replace the decorative cover.

Tools Needed

13

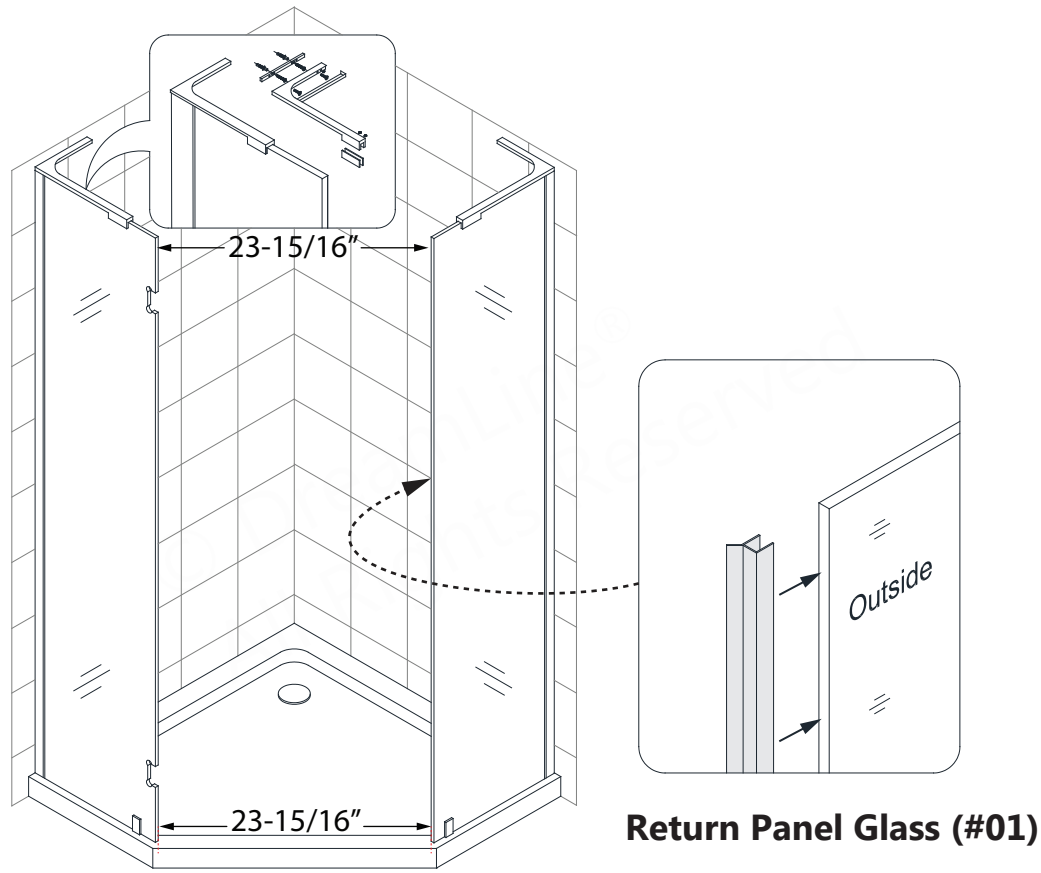


Fig 13

Lorem ipsum

(Left-hand swing installation shown)



Before installing the **Door glass (#02)**, attach the **135° Strike Vinyl (#14)** to the edge of the **Return Panel Glass (#01)** to protect the edge of the glass during installation of the **Door Glass (#02)**.

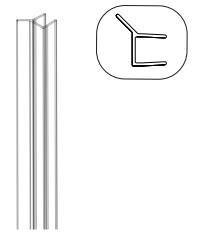


Allow the silicone in the U-Channel holding the **Hinge Panel Glass (#02)** to set before hanging the door glass. Leave the shims in place under the door glass while the silicone cures, especially if there is an out-of-plumb wall condition.



DO NOT install the Handle onto the glass until instructed. **DO NOT** lift the glass using the Handle. This could result in damage to the glass and /or serious personal injury. Always use an assistant or a professional grade glass suction cup when handling heavy glass.

Parts Needed



14

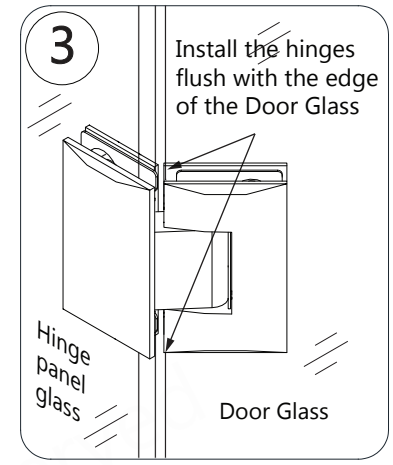
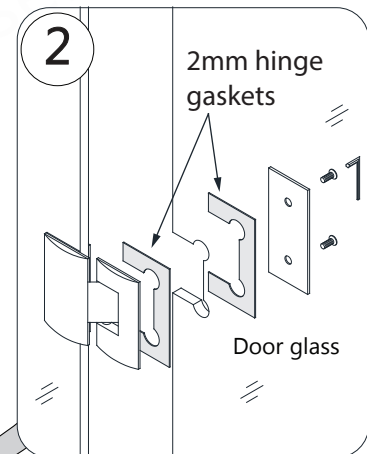
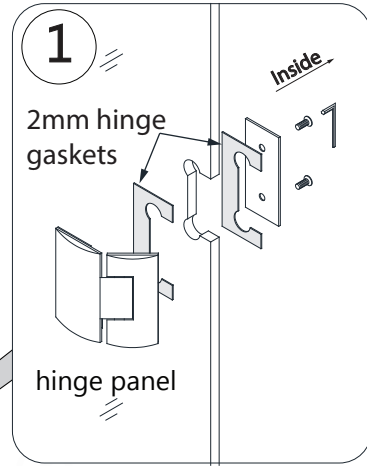
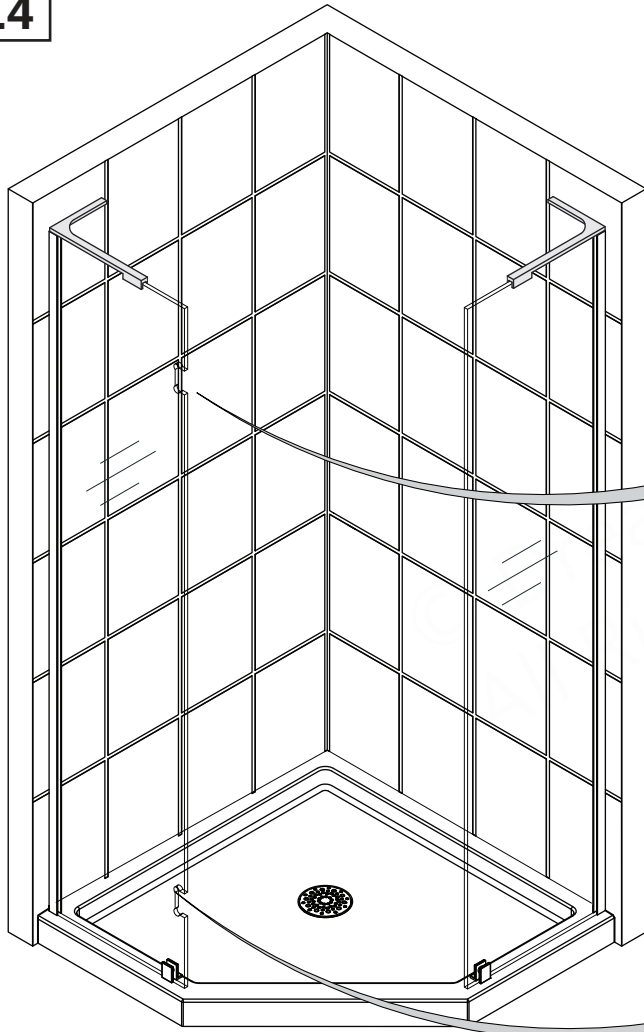
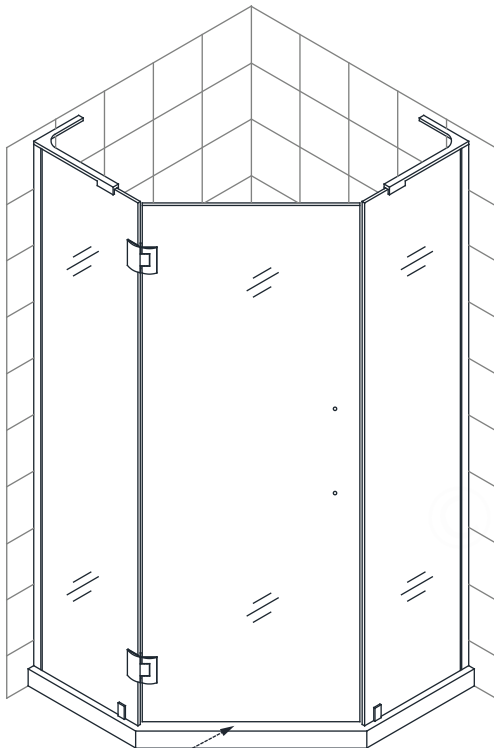


Fig 14a

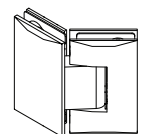


NOTE

Use **13/16"** shims (not included) beneath the door glass to help align the door glass with the hinge openings and the tops of the **Panel Glass**.

13/16" shims (not included)

Parts Needed



x2

NOTE

These adjustable hinges are factory set to overclose for a tight seal. See Page 26 for instructions regarding the adjustment features of these hinges.

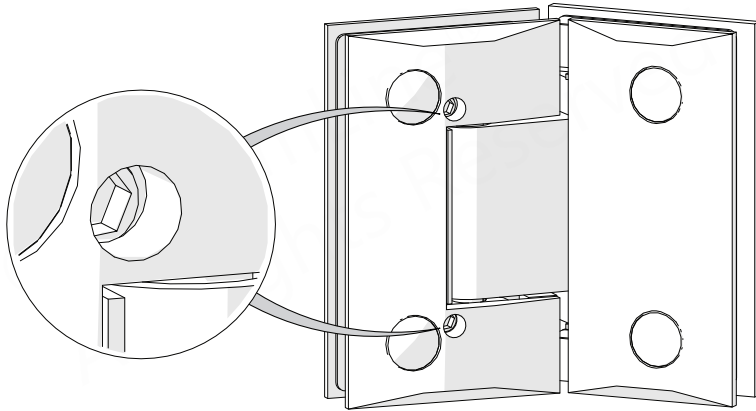


Fig 14b

15 Install the **Door handle (#06) Fig 15**

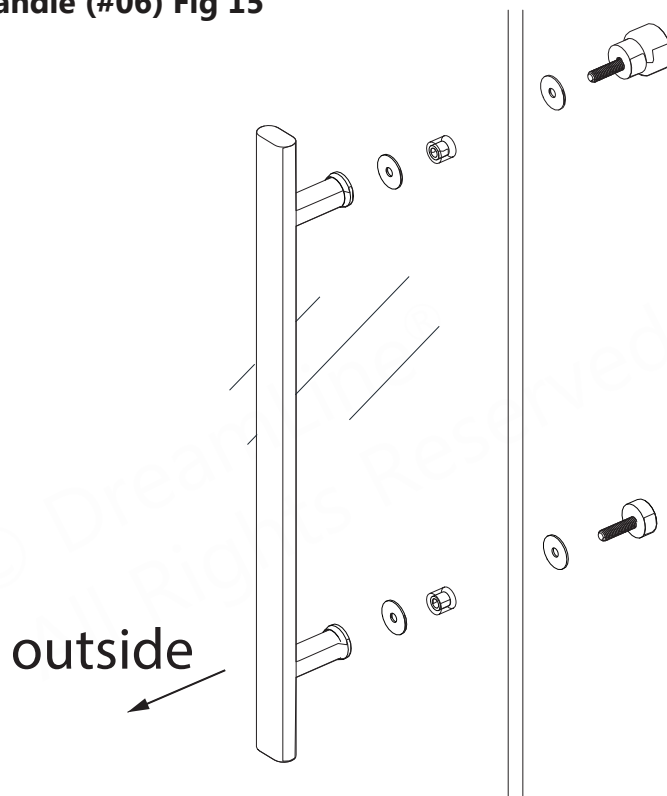


Fig 15

Parts Needed

A small technical drawing of the door handle assembly, showing the vertical bar with two mounting points.

16

Vinyl Seal Installation

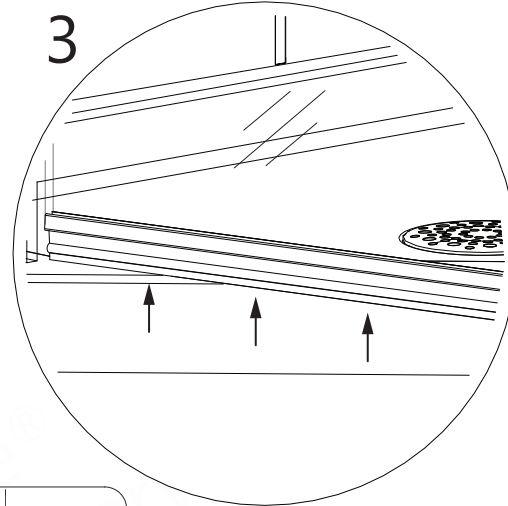
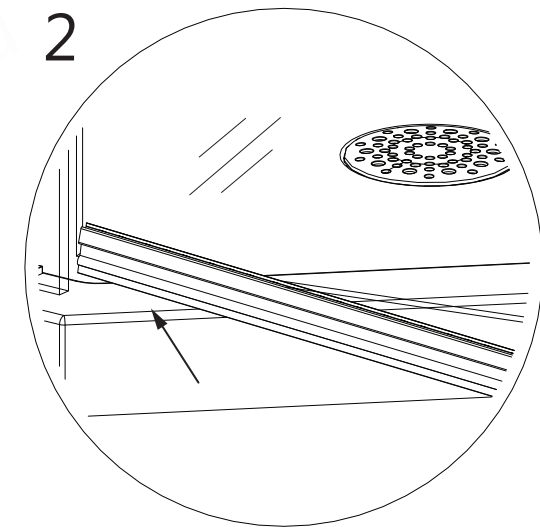
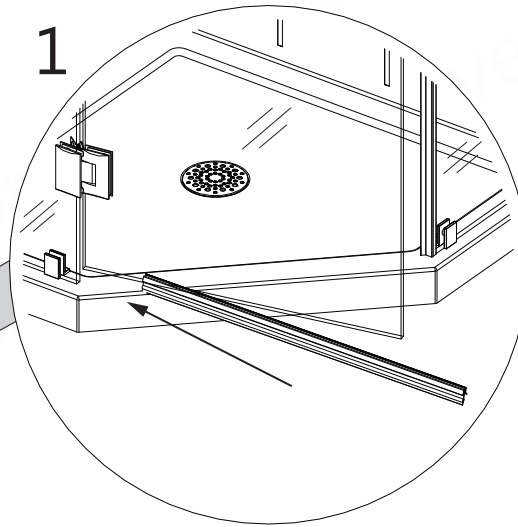
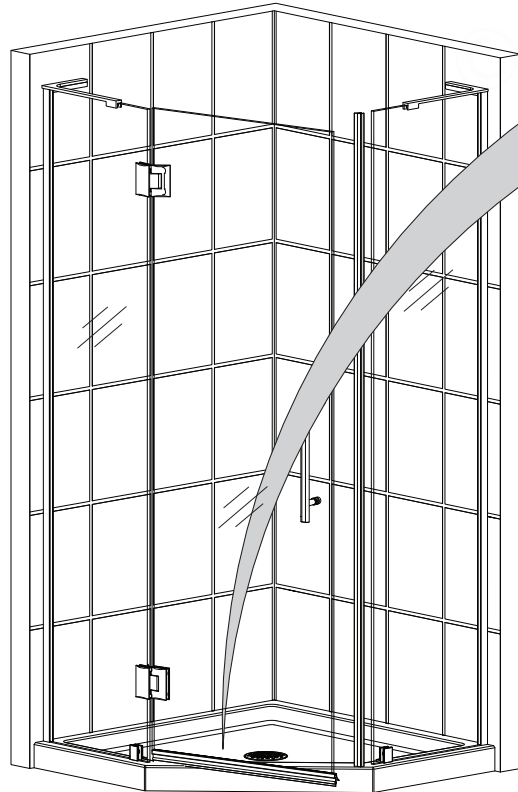
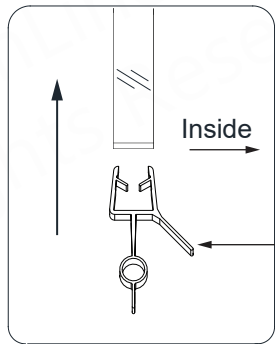


Fig 15

NOTE

The deflector strip on the Sweep Vinyl must be installed toward the inside of the shower



Deflector Strip

Parts Needed

17

Vinyl Seal Installation (Cont'd.) (Notching the Sweep Vinyl)

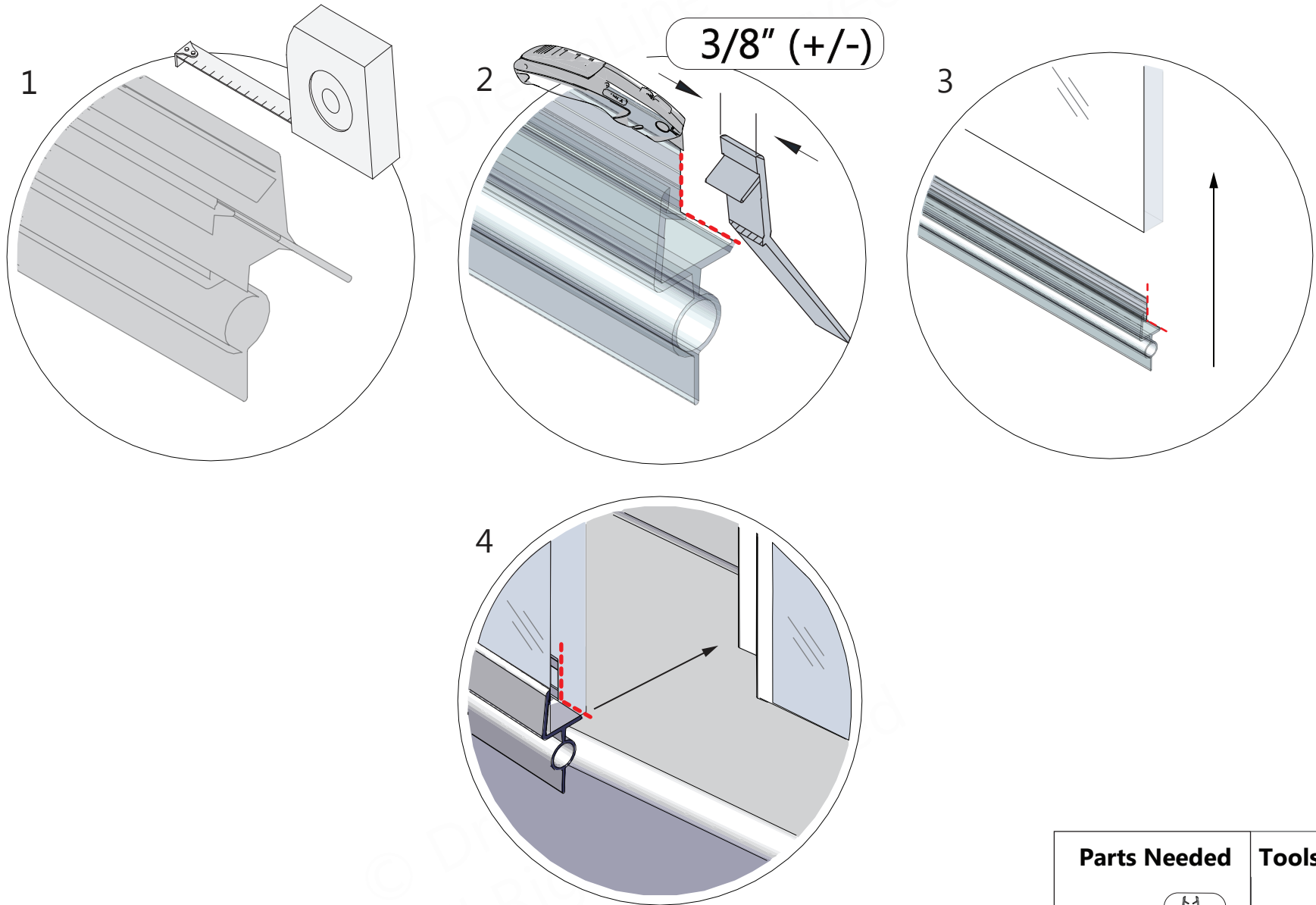
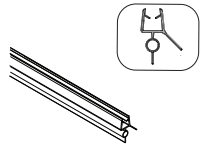
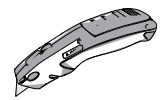
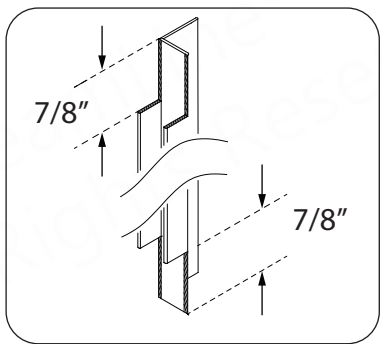
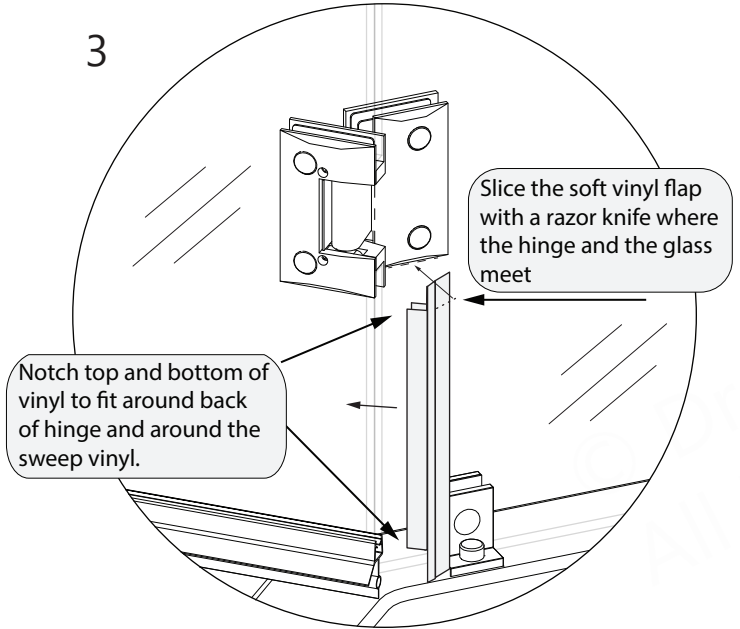
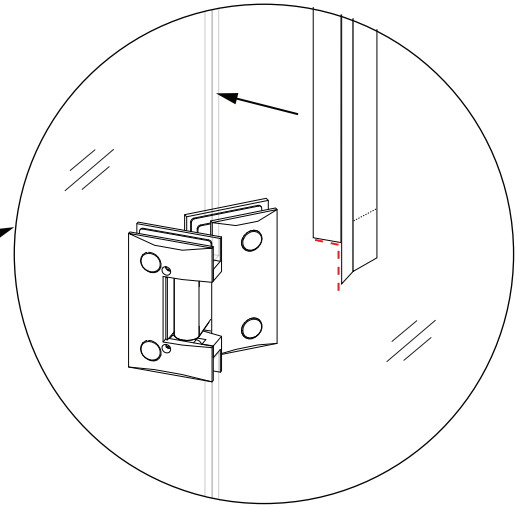
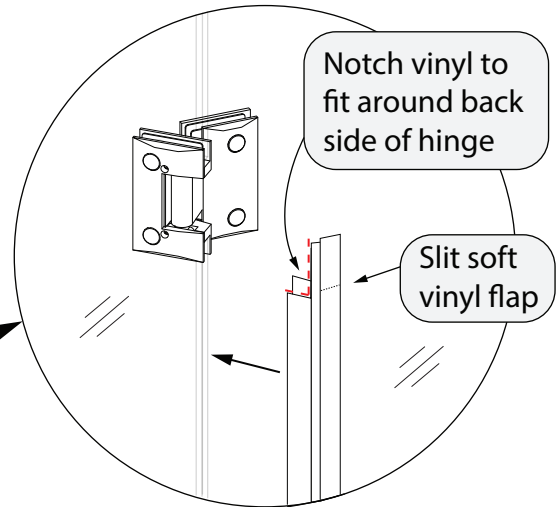
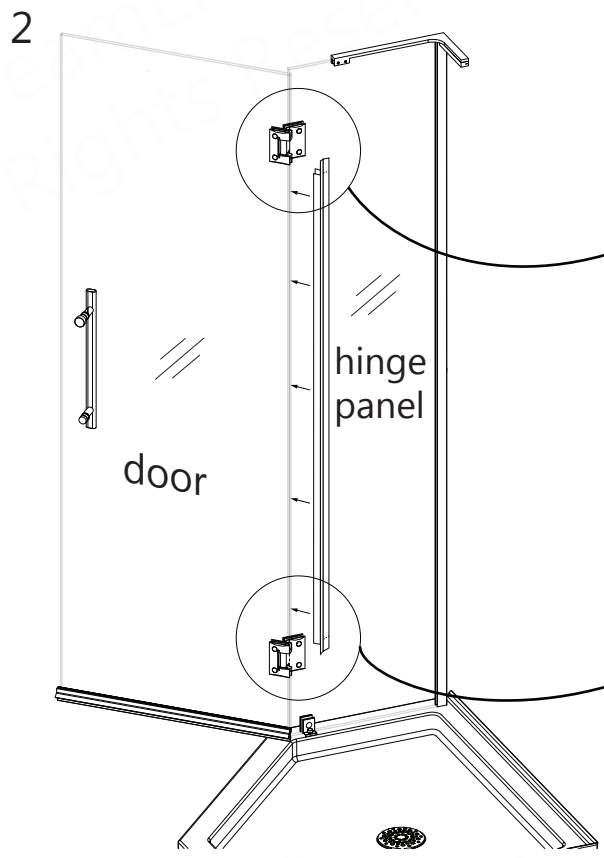
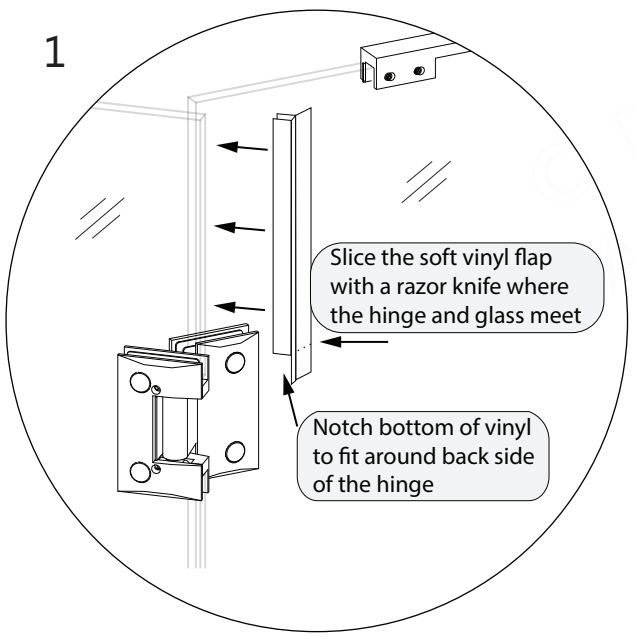


Fig 18

Parts Needed	Tools Needed
	

18

Vinyl Seal Installation (Cont'd.) (Notching the Hinge-Side Vinyl)



NOTE

Notches in the vinyl should be approximately 7/8"

Tools Needed

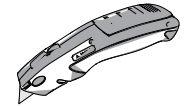
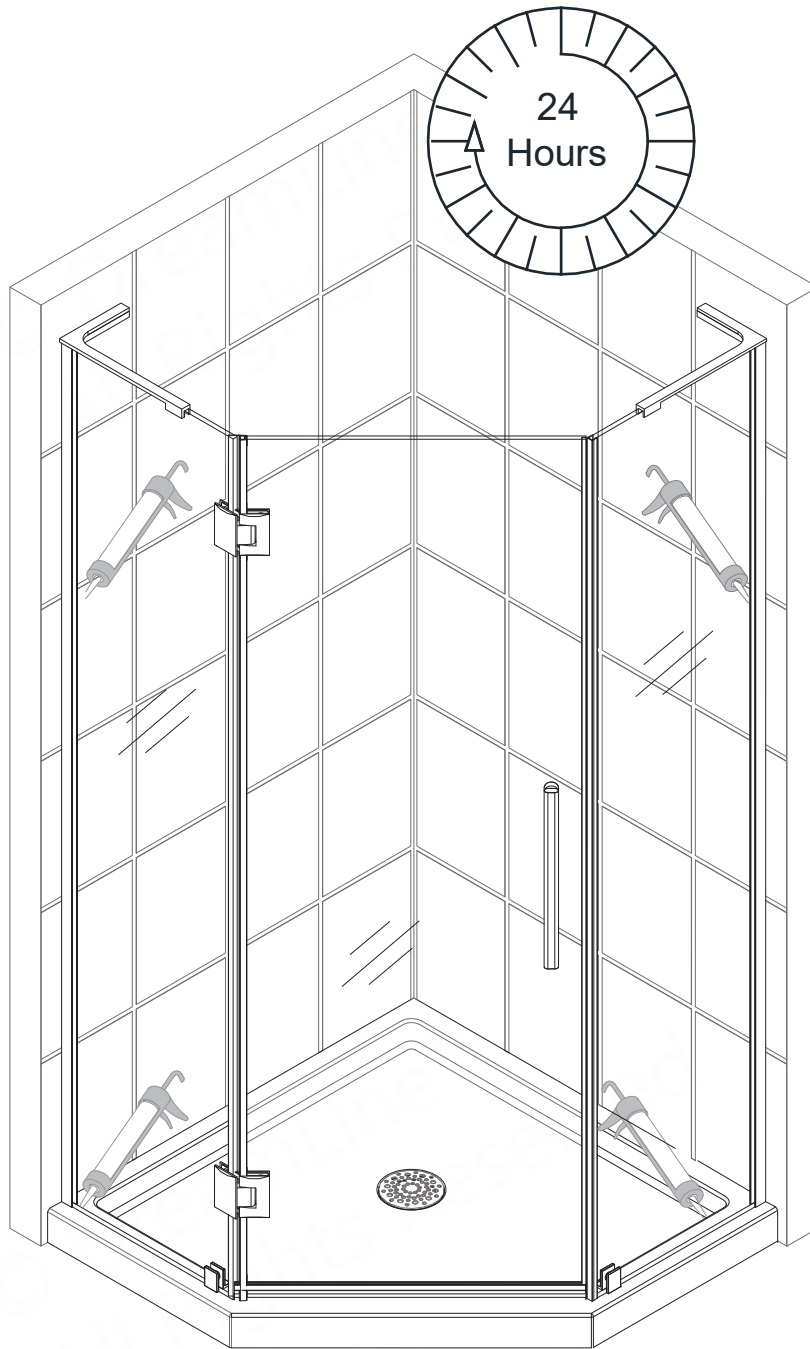


Fig 19

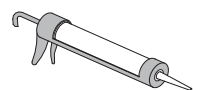


NOTE Surfaces need to be clean and free of debris before applying silicone. Apply to the entire interior perimeter of the panel glass.



Allow 24 hours for the silicone to cure before using shower.

Tools Needed

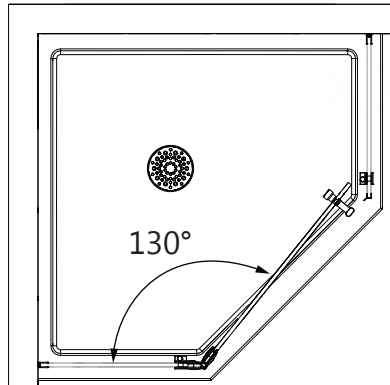
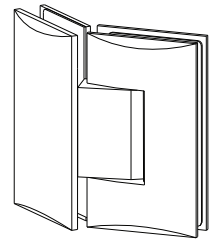


130° Adjustable Hinge Information

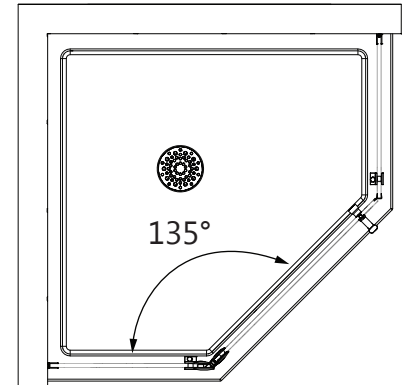
HG-PRS30A 130° Adjustable Hinge

NOTE

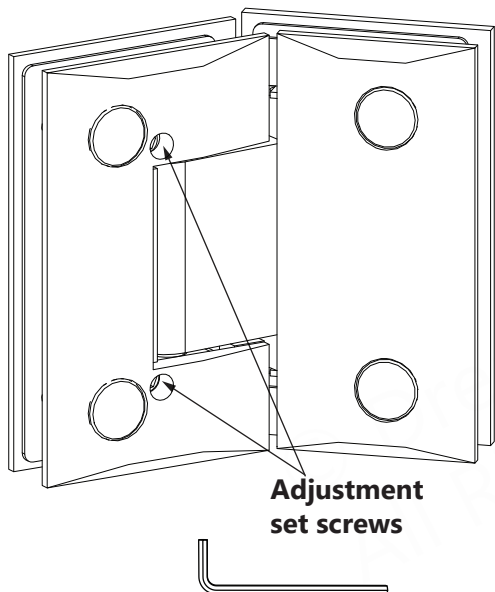
The hinge assemblies are preset to overclose 5° beyond the normal closing position to create a tight seal against the strike vinyl. The adjustment feature on the hinge assemblies can be used to change the closing angle of the door only. Make any hinge adjustments prior to installing the Strike Vinyl. Both Hinge Assemblies must be adjusted at the same time and to the same angle. Do not attempt to adjust the hinges separately or before they are installed.



The Adjustable Hinge Assemblies are factory pre-set to overclose to 130° to create a tight seal with the Strike Vinyl. If strike vinyl is not used, the hinges can be adjusted to close to a different angle (135° for example).



How to Adjust the Hinge Assemblies



Once the **Door Glass (#01)** is installed:

- Remove the strike vinyl if it is installed
- Hold the door in the closed position and loosen the adjustment set screws on **both** hinges with the supplied Allen Key
- Move the door to the new desired closed position
- While holding the door in the new closed position, retighten the set screws on **both** hinges
- The Door Glass will now close to the new closed position

NOTE

Do not adjust the hinges separately or before installation. This could lead to problems with the hinges operating together correctly.



To prevent leakage, adjust the **Hinge Assemblies (#05)** to overclose so the Door Glass creates a tight seal with the **135° Strike Vinyl (#14)**.

Product Maintenance

BASES and BACKWALLS: To ensure long lasting life for your acrylic back walls: wipe them off after each use with a soft cloth. To clean the acrylic back walls use non-abrasive sprays or cream based cleaners. Avoid the use of aerosol spray cleaners. Never use abrasive cleansers, metal brushes or scrapers that could permanently scratch or dull the surface.

GLASS: To ensure long lasting life for your glass shower products: wipe them off after each use with a soft cloth. Rinse and wipe off the glass using either a soft cloth or a squeegee to prevent soap buildup and water spots (Hard water can etch the surface of the glass over time if left to dry). To prevent scratching the surface: never use abrasive cleaners or cleaning products that contain scouring agents. Never use bristle brushes or abrasive sponges that may scratch the surface of the glass.

HARDWARE: To ensure a long lasting finish: wipe off all metal parts after each use with a soft cloth. Do not use abrasive cleaners or cleaning products containing ammonia, bleach or acid. If accidentally used, rinse the surface as soon as possible to prevent damage to the finish (peeling or corrosion). After cleaning the polished finishes, rinse thoroughly and wipe dry with a soft clean cloth.

Clean stainless steel surfaces at least once a week. When applying stainless steel cleaner or polish to stainless steel hardware, work with the grain (not across the grain). Never use an abrasive sponge or cloth, steel wool or wired brush as these may permanently scratch the surfaces.



To maximize the life of your door, it is important to regularly inspect the glass and other hardware for misalignment, proper attachment, and/or damage. Contact DreamLine® with any questions or concerns.

PRISM PLUS Maintenance Checklist

- Check that the unit is stable, operates smoothly and that the installation is secure.
- Confirm that all screws/bolts are tight.
- Confirm that all vinyl seals are intact (replace if missing or damaged to prevent leakage).
- Inspect exposed and concealed glass edges for damage (**damaged glass must be replaced!**)
- Inspect silicone for gaps. Replace silicone as necessary to prevent leaks.

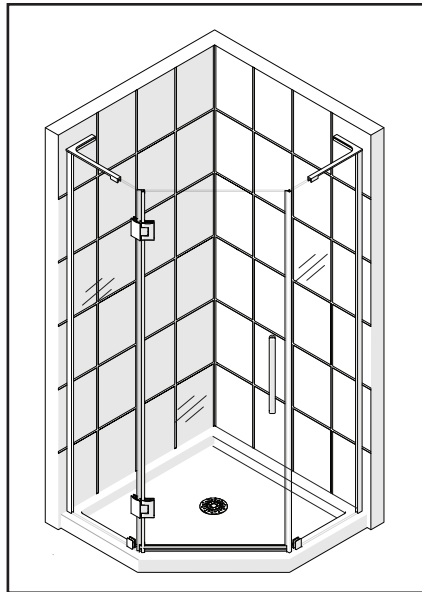
Troubleshooting

Problem/Symptom	Suggested Solution	Page
Missing Parts	<ul style="list-style-type: none"> •Check all shipping/packaging material for missing parts/components. •If not found, contact DreamLine Customer Support (1-866-731-2244) to order factory part replacement. 	—
Water Leaks/Stationary Panels	<ul style="list-style-type: none"> •Confirm that silicone was properly applied along the inside edges of both Stationary Panels. • Direct the shower head/water flow away from the area. 	26
Water Leaks/Door Glass	<ul style="list-style-type: none"> •Confirm that the Strike Vinyl (#14), Bottom Sweep Vinyl (#15) and the Vinyl seal (#13) (hinge vinyl) are correctly installed. • Direct the shower head/water flow away from the area. 	20, 23-24, 25
Door Glass does not create a good seal when closed.	<ul style="list-style-type: none"> •Confirm that the Strike Vinyl (#14), Bottom Sweep Vinyl (#15) and the Vinyl seal (#13) (hinge vinyl) are correctly installed. • Direct the shower head/water flow away from the area. •Confirm the hinges are adjusted properly 	20, 23-24, 25
Door Glass does not open or close smoothly.	<ul style="list-style-type: none"> •Confirm that the distance between the stationary panels is 23-15/16". •Check that hinges are correctly installed and tight. •Be sure 2mm gaskets have been used - one on each side of both hinges. •Confirm that if hinges were adjusted, proper procedure was followed. 	13-14, 21, 27
L-Bar™ not installed level with the panel glass.	<ul style="list-style-type: none"> •Review the L-Bar™ (#04) installation steps to adjust the L-Bar™ (#04) (See steps #10-12) 	17-19



Prior to contacting DreamLine® Customer Service, please have the following information readily available:

- Purchase Order Information
 - Name, PO Number, Dealer/Vendor Name, etc.
- SKU/Model Number (see cover page)
- Factory Part Information (see Page 30)



Factory Parts Information

SHEN-GLP2601 PRISM PLUS		FACTORY PARTS INFORMATION	
ITEM #	FACTORY PART NUMBER	ITEM DESCRIPTION	QTY
01	014352028	Return Panel Glass (34" x 34")	1
	014352021	Return Panel Glass (36" x 36")	1
	014352023	Return Panel Glass (38" x 38")	1
	014352025	Return Panel Glass (40" x 40")	1
02	014352026	Door Glass	1
03	014352027	Hinge Panel Glass (34" x 34")	1
	014352020	Hinge Panel Glass (36" x 36")	1
	014352022	Hinge Panel Glass (38" x 38")	1
	014352024	Hinge Panel Glass (40" x 40")	1
04	07121048/07124048/07126048/07129048	L-Bar™ Support Bracket Left 12in for 10mm (3/8in) Glass	1
04	07121049/07124049/07126049/07129049/	L-Bar™ Support Bracket Right 12in for 10mm (3/8in) Glass	1
05	07411008/07414008/07416008/07419008/	130 Degree Glass-to-Glass Hinge Assembly for 10mm (3/8in) Glass	2
06	07221004/07224004/07226004/07229004	Rectangular Single Sided Handle with Knob for 10mm (3/8in) Glass	1
07	07552148	Wall Anchor 8mm (5/16in)	15
08	091104	ST4.0 x 25mm Pan Head Screw	2
09	090108	ST4.2 x 40mm Truss Head Screw	7
10	07551011/07554011/07556011/07559011	Decorative cover and washer	5
11	07121057/07124057/07126057/07129057	U-Channel 1" SS for 10mm (3/8in) Glass	2
12	07011002/07014002/07016002/07019002/	Bottom Glass Bracket Exposed Screw for 10mm (3/8in) Glass	2
13	063014100-1829	Vinyl Seal with Flexible Fin for 10mm (3/8in) glass	1
14	063016100-1829	135 degree Strike Vinyl for 10mm (3/8in) Glass	1
15	063066100-0610	Bottom Sweep Vinyl for 10mm (3/8in) Glass	1
17	091107	ST4.0 x 40mm Pan Head Screw	11
---	07551093	PVC Glass Spacer 0.5mm	4

BOLD digit indicates finish: 1 = Chrome; 4= Brushed Nickel; 06=ORB; 09=Satin Black

Contact Support@DreamLine.com for Part replacement, installation assistance or additional information.
Complete **Warranty** information is available on DreamLine.com.

NOTES:

© DreamLine®
All Rights Reserved

© DreamLine®
All Rights Reserved

NOTES:

© DreamLine®
All Rights Reserved

© DreamLine®
All Rights Reserved

NOTES:

© DreamLine®
All Rights Reserved

© DreamLine®
All Rights Reserved



TEL: 866-731-2244
FAX: 866-857-3638
DREAMLINE.COM



For more information on DreamLine® Shower Doors and Enclosures please visit [DreamLine.com](https://www.DreamLine.com)